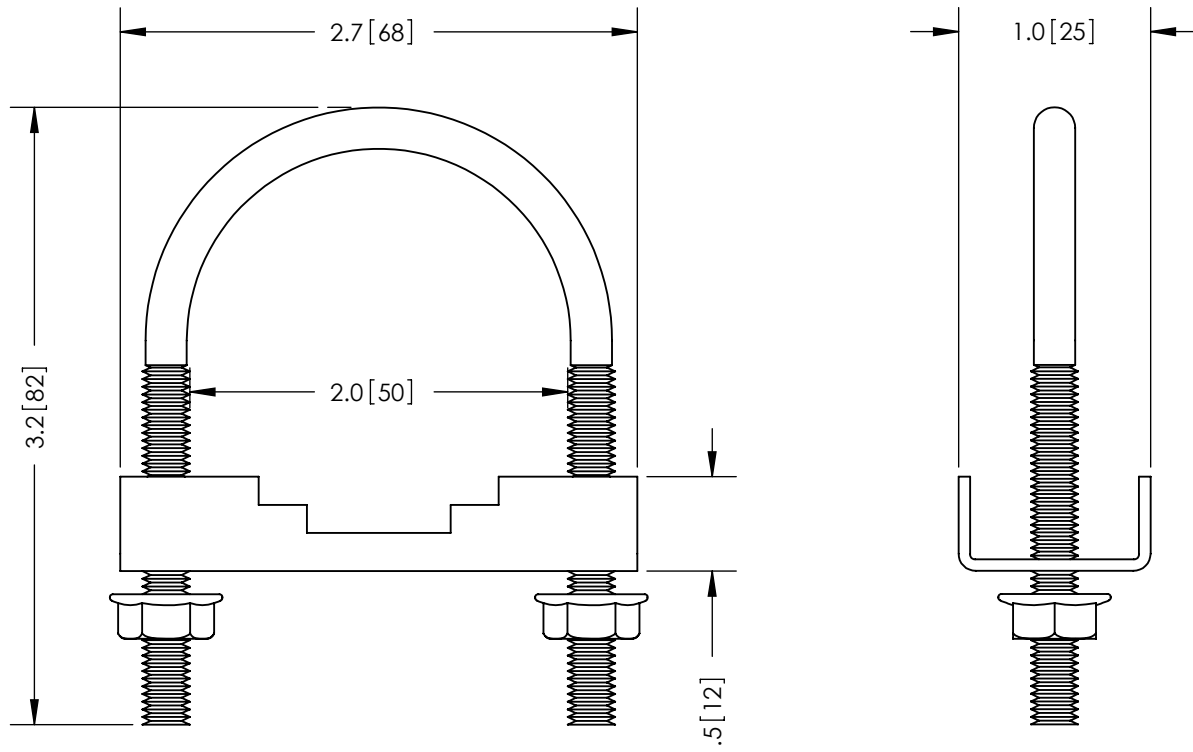



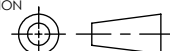
THE INFORMATION CONTAINED IN THIS DRAWING IS THE SOLE PROPERTY OF L-COM, INC. ANY REPRODUCTION IN PART OR WHOLE WITHOUT THE WRITTEN PERMISSION OF L-COM, INC. IS PROHIBITED.

REVISIONS			
REV	DESCRIPTION	DATE	APPROVED
A	INITIAL RELEASE	1/21/12	D.GRIFFIN
-	-	-	-



NOTES:  
 PACKAGING:  
 COMPONENT SHALL BE PACKAGED IN ACCORDANCE WITH L-COM SPEC PKG-00012  
 -ALL DIMENSIONS FOR REFERENCE-

**RoHS Compliant** ✓

UNLESS OTHERWISE SPECIFIED, DIMENSIONS ARE IN INCHES [mm]  DIMENSIONAL TOLERANCES: .X = ±.1 .XX = ±.01 .XXX = ±.005  ANGULAR TOLERANCES: ALL = ± 1°	APPROVALS	DATE	 45 BEECHWOOD DRIVE NORTH ANDOVER, MA 01845		
	DRAWN BY B.PUCHASKI	01/17/12			
PROJECTION 	CHECKED BY P.PESA	01/17/12	CATEGORY ANTENNA		
	APPROVED BY P.PESA	01/17/12	PRODUCT DESCRIPTION STATIONARY MAST MOUNTING KIT		
	CONFIGURATION DETAILS OF UNDIMENSIONED FEATURES MAY VARY	SIZE <b>A</b>	FSCM NO. <b>43321</b>	DWG. NO. HGX-PMT07	REV. <b>A</b>
	COLOR VARIATIONS MAY OCCUR	SCALE: NONE	CAD FILE: HGX-PMT07.SLDDRW	SHEET 1 OF 1	