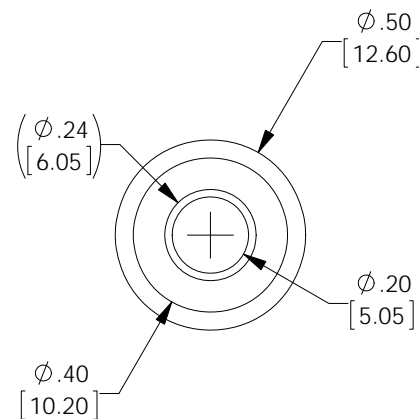
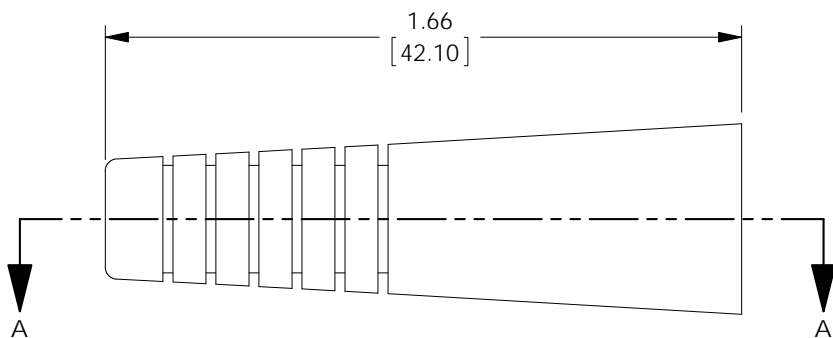
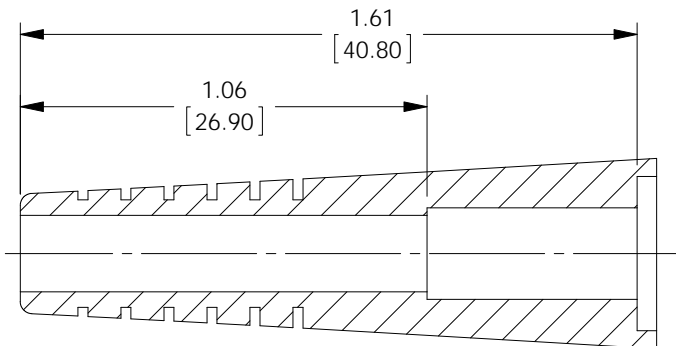


THE INFORMATION CONTAINED IN THIS DRAWING IS THE SOLE PROPERTY OF L-COM, INC. ANY REPRODUCTION IN PART OR WHOLE WITHOUT THE WRITTEN PERMISSION OF L-COM, INC. IS PROHIBITED.

REVISIONS			
REV	DESCRIPTION	DATE	APPROVED
A	INITIAL RELEASE	10/17/07	P.PESA



NOTES:

MATERIAL: PVC

PACKAGED IN BULK QUANTITY OF 200.

REGULATORY COMPLIANCE:
CE2011/65/EU(RoHS DIRECTIVE)

UNLESS OTHERWISE SPECIFIED, DIMENSIONS ARE IN INCHES [mm] DIMENSIONAL TOLERANCES: .X = ±.1 [2.54] .XX = ±.01 [.25] .XXX = ±.005 [.13] ANGULAR TOLERANCES: ALL = ± 1°	APPROVALS	DATE		45 BEECHWOOD DRIVE NORTH ANDOVER, MA 01845
	DRAWN BY M.AUDAS	10/17/07		CATEGORY
	CHECKED BY M.AUDAS	10/17/07	PRODUCT DESCRIPTION	
	APPROVED BY P.PESA	10/17/07	STRAIN RELIEF BOOT RG58	
COLOR VARIATIONS MAY OCCUR	SIZE A	FSCM NO. 43321	DWG. NO. HXX-SR58L	REV. A
SCALE: NONE		CAD FILE: HXX-SR58L.SLDDRW		SHEET 1 OF 1