

6

5

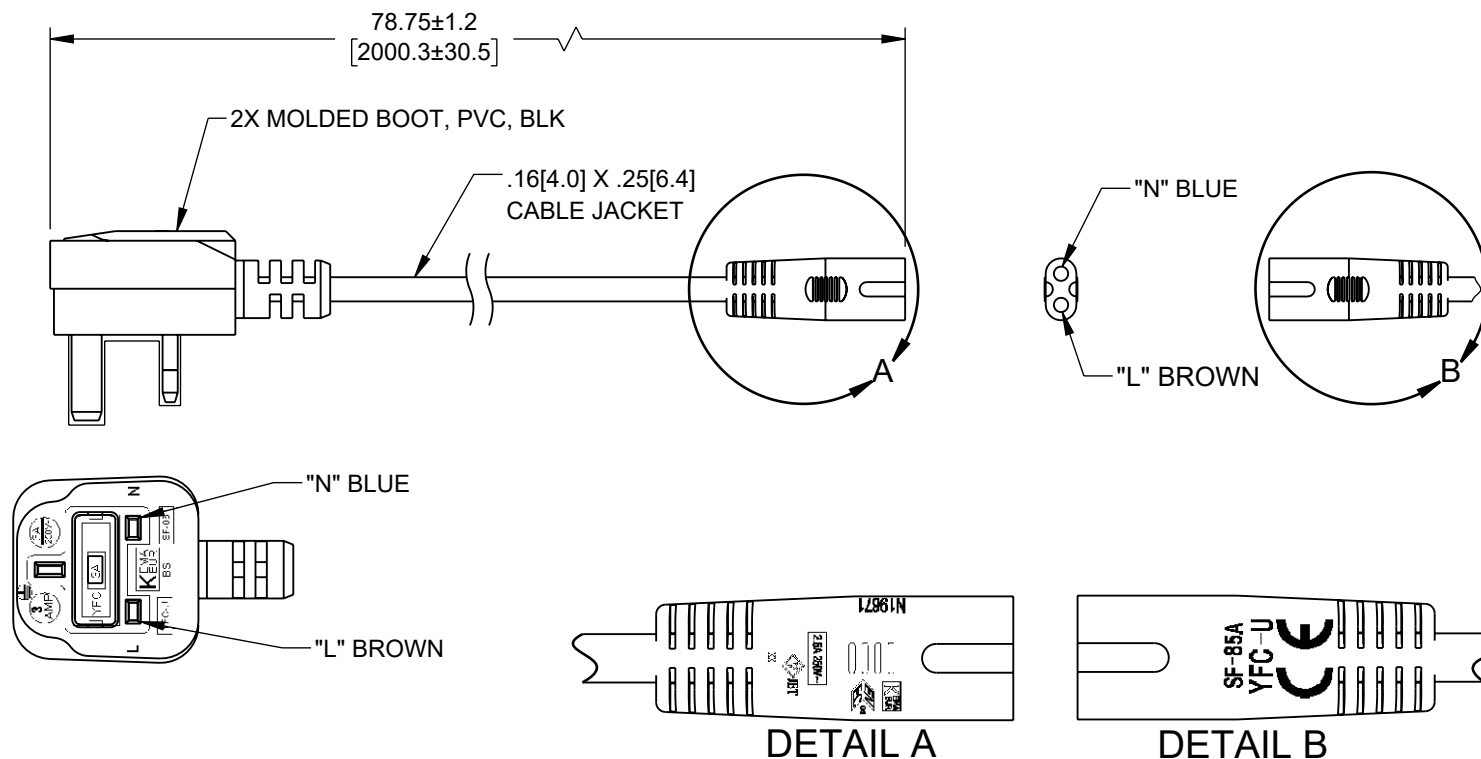
4

3

2

1

REVISION					
ZONE	REV	DESCRIPTION	DATE	CHANGED BY	APPROVED
	B	ECO-12904	11/06/2023	DMAY	GUTTADAURO



## NOTES:

- VOLTAGE RATING:  
DIELECTRIC VOLTAGE WITHSTAND TEST: 2000V/1 SECOND  
CONDUCTOR RESISTANCE:  $\leq 26.0 \Omega/1000$  METERS  
VOLTAGE RATING: AC 300/500V
- CABLE MARKING:  
+ ∞ + ∞ + ∞ KEMA-KEUR  $\triangle$  CEBEC 972  
 $\triangle$  VDE NF-USE 1345 IEMMEQU H05VVH2-F 2x0.75MM<sup>2</sup> V-75  
300/500V ORDINARY DUTY NSW17436 YFC BON-EAGLE.
- OPTIONAL LABELS MAY INCLUDE UL, CURRENT AND/OR WARNING.
- CABLE ASSEMBLIES SHALL BE INDIVIDUALLY PACKAGED.

THE INFORMATION CONTAINED IN THIS DRAWING IS THE SOLE PROPERTY OF INFINITE ELECTRONICS, INC. ANY REPRODUCTION IN PART OR WHOLE WITHOUT THE WRITTEN PERMISSION OF INFINITE ELECTRONICS, INC. IS PROHIBITED. THESE COMMODITIES, TECHNOLOGY OR SOFTWARE WERE EXPORTED FROM THE UNITED STATES IN ACCORDANCE WITH THE EXPORT ADMINISTRATION REGULATIONS. DIVERSION CONTRARY TO U.S. LAW PROHIBITED.

UNLESS OTHERWISE SPECIFIED  
LEADING DIMENSIONS ARE INCHES  
DIMENSIONS IN [ ] ARE MILLIMETERS

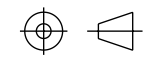
TOLERANCES:  
 .X = ±.2 [5]  
 .XX = ±.02 [0.5]  
 .XXX = ±.005 [0.13]  
 FRACTIONS  
 ± 1/32  
 ANGLES ± 1°

CABLE LENGTH TOLERANCES:  
 $\leq 12$  [305] = +1 [25] / -0  
 $>12$  [305]  $\leq 60$  [1524] = +2 [51] / -0  
 $>60$  [1524]  $\leq 120$  [3048] = +4 [102] / -0  
 $>120$  [3048]  $\leq 300$  [7620] = +6 [152] / -0  
 $>300$  [7620] = +5% / -0

ALL DIMENSIONS ARE FOR REFERENCE ONLY  
AND SUBJECT TO CHANGE WITHOUT NOTICE.  
UN-DIMENSIONED/NON-CRITICAL FEATURES  
MAY VARY IN SIZE AND LOCATION  
COLORS MAY VARY

**L-com**  
an INFINIT<sup>®</sup> brand

Website: [www.L-com.com](http://www.L-com.com)  
Phone: 1.800.341.5266 | 1.978.682.6936



INTERPRET ALL DIMENSIONS AND  
TOLERANCES PER ASME Y14.5

SCALE	SHEET
NONE	1 OF 1

DESCRIPTION  
CABLE ASSY INT. PC - TYPE G/C7 - 2.5A - 2M

SIZE	CAGE CODE	DRAWN BY	ITEM NO.	REV
A	43321	AKRESOWSKI	IPCGC7-2.5A-2M	B

6

5

4

3

2

1