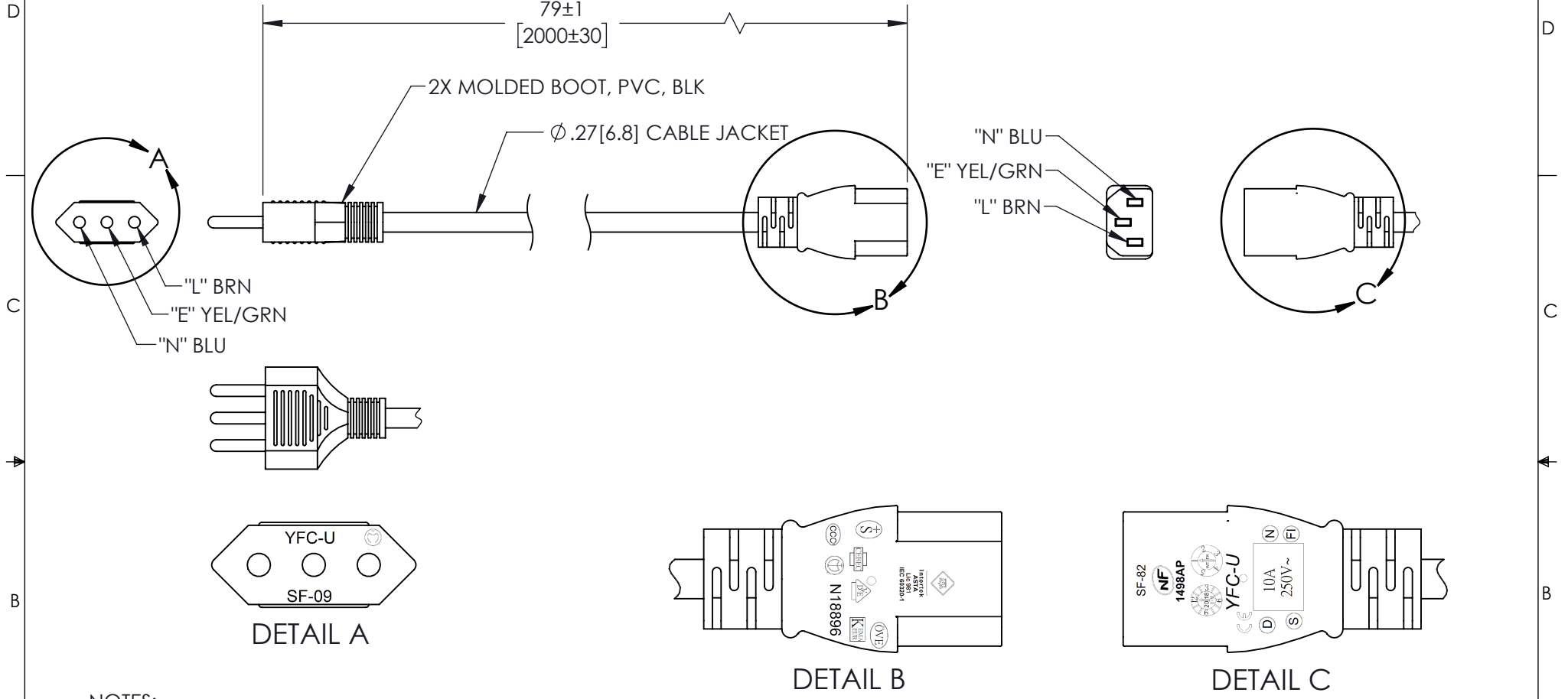


THE INFORMATION CONTAINED IN THIS DRAWING IS THE SOLE PROPERTY OF L-COM, INC. ANY REPRODUCTION IN PART OR WHOLE WITHOUT THE WRITTEN PERMISSION OF L-COM, INC. IS PROHIBITED.

REVISIONS			
REV	DESCRIPTION	DATE	APPROVED
A	INITIAL RELEASE	05/25/2022	GUTTADAURO



NOTES:

- VOLTAGE RATING:
DIELECTRIC VOLTAGE WITHSTAND TEST: 2000V/1 SECOND
CONDUCTOR RESISTANCE: $\leq 26.0 \Omega / 1000$ METERS
VOLTAGE RATING: AC 300/500V
- CABLE MARKING:
+ s + s + s KEMA-KEUR CEBC 972
 $\triangle VDE$ NF-USE 1345 IEMMEQU H05VV-F 3G 0.75MM² V-75
300/500V ORDINARY DUTY NSW17436 YFC BON-EAGLE.
- OPTIONAL LABELS MAY INCLUDE UL, CURRENT AND/OR WARNING.
- CABLE ASSEMBLIES SHALL BE INDIVIDUALLY PACKAGED.
- ALL DIMENSIONS SHOWN ARE FOR REFERENCE ONLY.

UNLESS OTHERWISE SPECIFIED, DIMENSIONS ARE IN INCHES [mm] OVERALL CABLE LENGTH TOLERANCE: ≤ 12 [305] = +1 [25] / -0 > 12 [305] ≤ 60 [1524] = +2 [51] / -0 > 60 [1524] ≤ 120 [3048] = +4 [102] / -0 > 120 [3048] ≤ 300 [7620] = +6 [152] / -0 > 300 [7620] = +5% / -0 ALL OTHER DIMENSIONAL TOLERANCES: .X = $\pm .2$ [5] FRACTIONS $\pm 1/32$.XX = $\pm .02$ [.5] ANGLES $\pm 1^\circ$.XXX = $\pm .005$ [.13]	APPROVALS	DATE	an INFINITO brand 50 High Street, West Mill, North Andover, MA 01845 USA. Phone: 1.800.341.5266 1.978.682.6936		
	DRAWN BY AKRESOWSK	04/21/2022		CATEGORY POWER PRODUCTS PRODUCT DESCRIPTION CABLE ASSY, INTL PWR, TYPE L TO C13, 10A, 2M	
CHECKED BY DGUST	04/21/2022	SIZE A	CAGE CODE 43321		ITEM NO. IPCLC13-10A-2M
THIRD-ANGLE PROJECTION 	CONFIGURATION DETAILS OF UNDIMENSIONED FEATURES MAY VARY	COLOR VARIATIONS MAY OCCUR	SCALE: NONE	CAD FILE: IPCLC13-10A-2M.SLDDRW	SHEET 1 OF 1