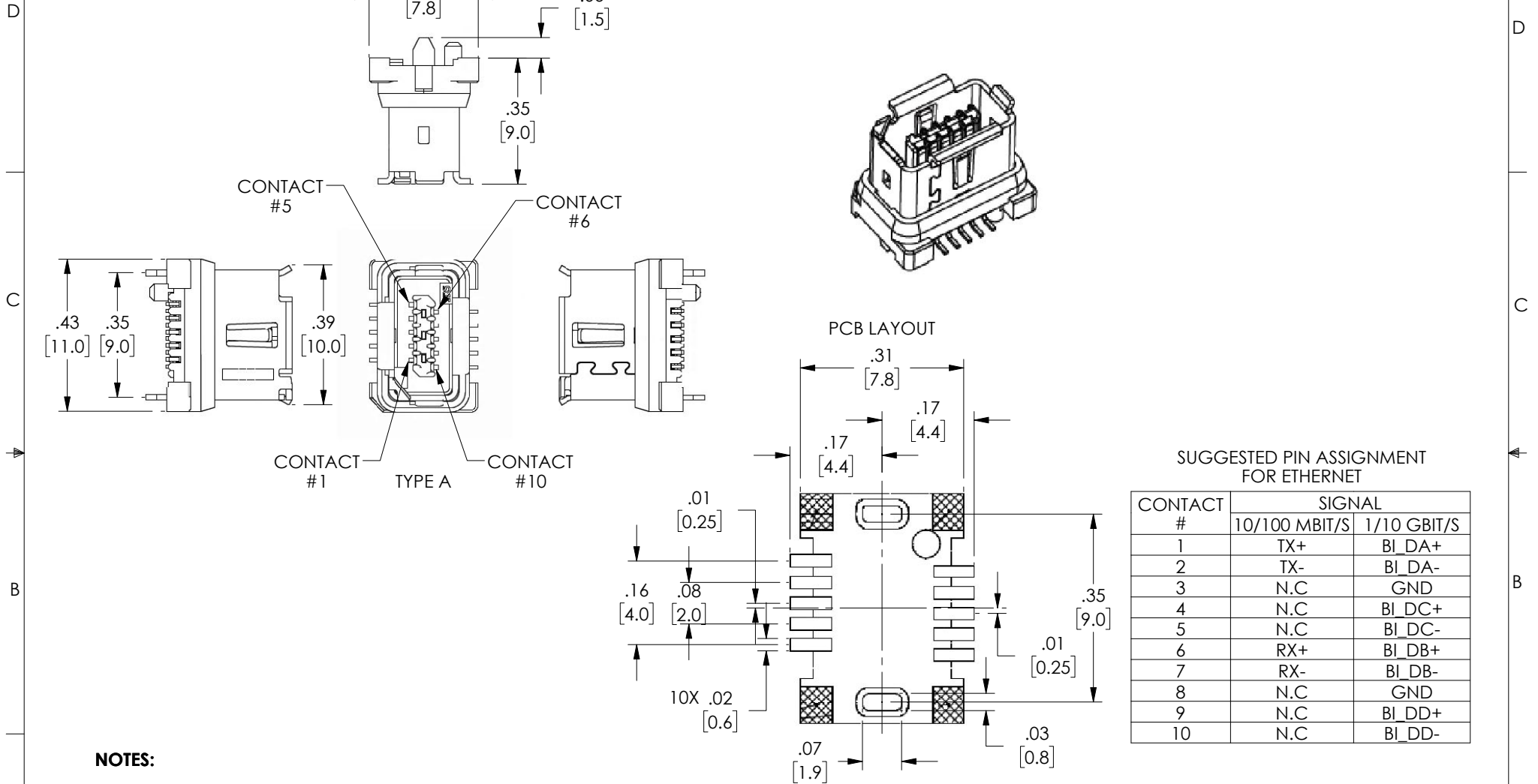


THE INFORMATION CONTAINED IN THIS DRAWING IS THE SOLE PROPERTY OF L-COM, INC. ANY REPRODUCTION IN PART OR WHOLE WITHOUT THE WRITTEN PERMISSION OF L-COM, INC. IS PROHIBITED.

REVISIONS			
REV	DESCRIPTION	DATE	APPROVED
A	INITIAL RELEASE	03/19/2021	GUTTADAURO




SUGGESTED PIN ASSIGNMENT FOR ETHERNET

CONTACT #	SIGNAL	
	10/100 MBIT/S	1/10 GBIT/S
1	TX+	BI_DA+
2	TX-	BI_DA-
3	N.C	GND
4	N.C	BI_DC+
5	N.C	BI_DC-
6	RX+	BI_DB+
7	RX-	BI_DB-
8	N.C	GND
9	N.C	BI_DD+
10	N.C	BI_DD-

NOTES:

1. NOMINAL VOLTAGE: 50 V AC/ 60 V DC
2. THIS DRAWING SHOWS IX80G-A-10P
3. THIS PRODUCT IS MOUNTED BY REFLOW SOLDERING.
4. THIS PRODUCT IS SHIPPED WITH VACUUM CAP ATTACHED.
5. THIS PRODUCT (TYPE A) IS DEFINED FOR 10/100 MBIT/S AND 1/10 GBIT/S ETHERNET COMMUNICATION. PLEASE USE TYPE B FOR ALL OTHER NON ETHERNET APPLICATIONS LIKE SIGNALING, SERIAL OR OTHER INDUSTRIAL BUS COMMUNICATION SYSTEMS.
6. PRODUCT SHALL BE INDIVIDUALLY PACKAGED IN ACCORDANCE WITH L-COM SPECIFICATION PS-0031

UNLESS OTHERWISE SPECIFIED, DIMENSIONS ARE IN INCHES [mm] OVERALL CABLE LENGTH TOLERANCE: ≤12 [305] = +1 [25] / -0 >12 [305] ≤60 [1524] = +2 [51] / -0 >60 [1524] ≤120 [3048] = +4 [102] / -0 >120 [3048] ≤300 [7620] = +6 [152] / -0 >300 [7620] = +5% / -0 ALL OTHER DIMENSIONAL TOLERANCES: .X = ± .2 [5] FRACTIONS ± 1/32 .XX = ± .02 [5] ANGLES ± 1° .XXX = ± .005 [13]	APPROVALS	DATE	 50 High Street, West Mill, North Andover, MA 01845 USA. Phone: 1.800.341.5266 1.978.682.6936
	DRAWN BY BPUCHASKI	03/19/2021	
CHECKED BY DFRISIELLO	03/19/2021	PRODUCT DESCRIPTION IX Industrial Jack, 10gig, Category 6a, 10 Position A Key, Vertical Receptable	SCALE: NONE CAD FILE: IXJ-V-A.SLDRW SHEET 1 OF 1
APPROVED BY GUITA DAURO	03/19/2021	SIZE A CAGE CODE 43321 ITEM NO. IXJ-V-A REV. A CONFIGURATION DETAILS OF UNDIMENSIONED FEATURES MAY VARY COLOR VARIATIONS MAY OCCUR	