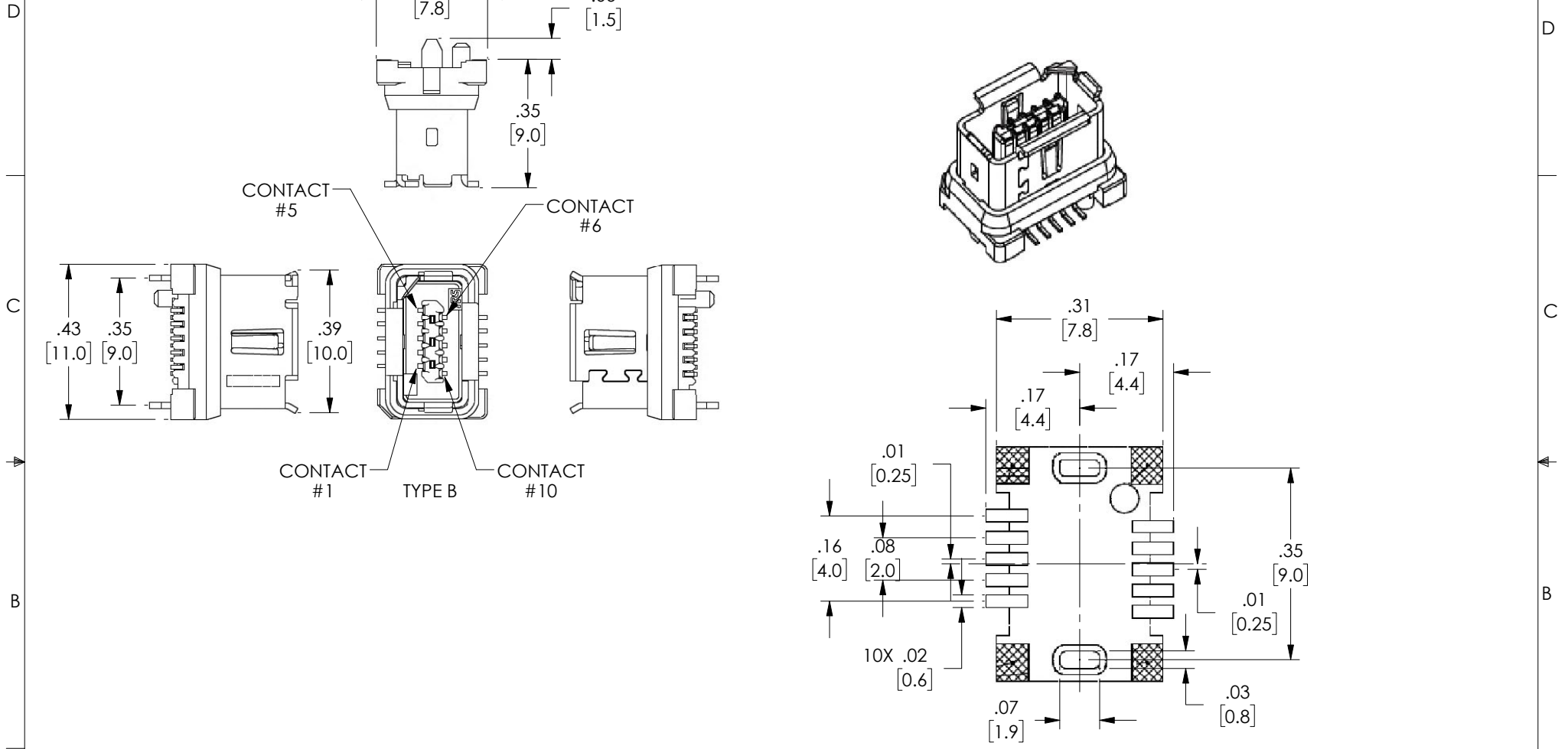



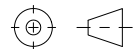
THE INFORMATION CONTAINED IN THIS DRAWING IS THE SOLE PROPERTY OF L-COM, INC. ANY REPRODUCTION IN PART OR WHOLE WITHOUT THE WRITTEN PERMISSION OF L-COM, INC. IS PROHIBITED.

| REVISIONS | | | |
|-----------|-----------------|------------|-------------|
| REV | DESCRIPTION | DATE | APPROVED |
| A | INITIAL RELEASE | 03/19/2021 | GUTTA DAURO |
| | | | |
| | | | |



NOTES:

1. NOMINAL VOLTAGE: 50 V AC/ 60 V DC
2. THIS DRAWING SHOWS IX80G-B-10P
2. THIS PRODUCT IS MOUNTED BY REFLOW SOLDERING.
3. THIS PRODUCT IS SHIPPED WITH VACUUM CAP ATTACHED.
4. THIS PRODUCT (TYPE B) IS USED FOR NON ETHERNET APPLICATIONS LIKE SIGNALING, SERIAL OR OTHER INDUSTRIAL BUS COMMUNICATION SYSTEMS. PLEASE USE TYPE A FOR 10/100 MBIT/S AND 1/10 GBIT/S ETHERNET COMMUNICATION.
5. PRODUCT SHALL BE INDIVIDUALLY PACKAGED IN ACCORDANCE WITH L-COM SPECIFICATION PS-0031

| | | | |
|--|---|--|--|
| UNLESS OTHERWISE SPECIFIED, DIMENSIONS ARE IN INCHES [mm] OVERALL CABLE LENGTH TOLERANCE: ≤12 [305] = +1 [25] / -0 >12 [305] ≤60 [1524] = +2 [51] / -0 >60 [1524] ≤120 [3048] = +4 [102] / -0 >120 [3048] ≤300 [7620] = +6 [152] / -0 >300 [7620] = +5% / -0 ALL OTHER DIMENSIONAL TOLERANCES: .X = ± .2 [5] FRACTIONS ± 1/32 .XX = ± .02 [.5] ANGLES ± 1° .XXX = ± .005 [.13] | APPROVALS DRAWN BY BPUCHASKI CHECKED BY DFRISIELLO APPROVED BY GUITTA DAURO | DATE 03/19/2021 03/19/2021 03/19/2021 |  50 High Street, West Mill, North Andover, MA 01845 USA. Phone: 1.800.341.5266 1.978.682.6936 |
| | THIRD-ANGLE PROJECTION  | | |
| CONFIGURATION DETAILS OF UNDIMENSIONED FEATURES MAY VARY COLOR VARIATIONS MAY OCCUR | | PRODUCT DESCRIPTION IX Industrial Jack, 10gig, Category 6a, 10 Position B Key, Vertical Receptable | SCALE: NONE CAD FILE: IXJ-V-B.SLDDRW |
| SIZE A | CAGE CODE 43321 | ITEM NO. IXJ-V-B | REV. A |
| SHEET 1 OF 1 | | | SHEET 1 OF 1 |