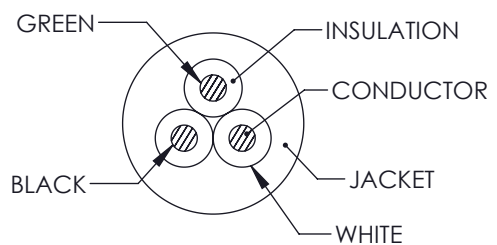
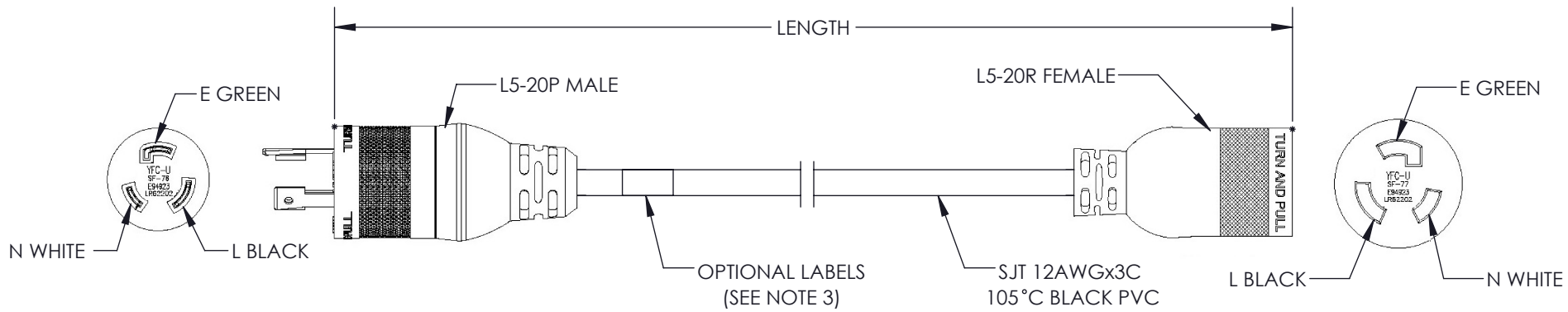


THE INFORMATION CONTAINED IN THIS DRAWING IS THE SOLE PROPERTY OF L-COM, INC. ANY REPRODUCTION IN PART OR WHOLE WITHOUT THE WRITTEN PERMISSION OF L-COM, INC. IS PROHIBITED.

REVISIONS			
REV	DESCRIPTION	DATE	APPROVED
A	INITIAL RELEASE	10/19/2021	GUTTADAURO



ITEM NUMBER	LENGTH INCHES [MM]
L520P-L520R-20-03F	36.0 ± 0.4 [910 ± 10.0]
L520P-L520R-20-06F	72.0 ± 0.8 [1830 ± 20.0]
L520P-L520R-20-10F	120.0 ± 1.2 [3050 ± 30.0]

NOTES:

- VOLTAGE RATING:**
DIELECTRIC VOLTAGE WITHSTAND TEST: 1500V / 1 Sec
CONDUCTOR RESISTANCE ≤ 8.88Ω/1000M
VOLTAGE RATING AC 300V
- CABLE MARKING :**
(UL) E135710-F5 SJT 3×12AWG 105°C 300V VW-1
c(UL) SJT 3×3.31 mm² (12AWG) 105°C 300V FT2
- OPTIONAL LABELS:**
OPTIONAL LABEL(S) MAY INCLUDE
UL, CURRENT AND/OR WARNING
- CABLE ASSEMBLY SHALL BE INDIVIDUALLY PACKAGED IN ACCORDANCE WITH SPEC. PS-0031.**
- ALL DIMENSIONS FOR REFERENCE ONLY.**

UNLESS OTHERWISE SPECIFIED, DIMENSIONS ARE IN INCHES [mm] OVERALL CABLE LENGTH TOLERANCE: ≤12 [305] = +1 [25] / -0 >12 [305] ≤60 [1524] = +2 [51] / -0 >60 [1524] ≤120 [3048] = +4 [102] / -0 >120 [3048] ≤300 [7620] = +6 [152] / -0 >300 [7620] = +5% / -0 ALL OTHER DIMENSIONAL TOLERANCES: .X = ± .2 [5] FRACTIONS ± 1/32 .XX = ± .02 [.5] ANGLES ± 1° .XXX = ± .005 [.13]	APPROVALS DRAWN BY MVEERAPPAN CHECKED BY DFRISIELLO APPROVED BY GUTTADAURO	DATE 10/19/2021 10/19/2021 10/19/2021	50 High Street, West Mill, North Andover, MA 01845 USA. Phone: 1.800.341.5266 1.978.682.6936		
	CONFIGURATION DETAILS OF UNDIMENSIONED FEATURES MAY VARY	PRODUCT DESCRIPTION L5-20P - L5-20R Lck Power Cord, 20A, 125V			
THIRD-ANGLE PROJECTION 	COLOR VARIATIONS MAY OCCUR	SIZE A	CAGE CODE 43321	ITEM NO. L520P-L520R-20	REV. A
SCALE: NONE		CAD FILE: L520P-L520R-20.SLDDRW		SHEET 1 OF 1	