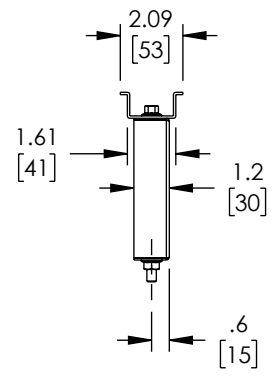
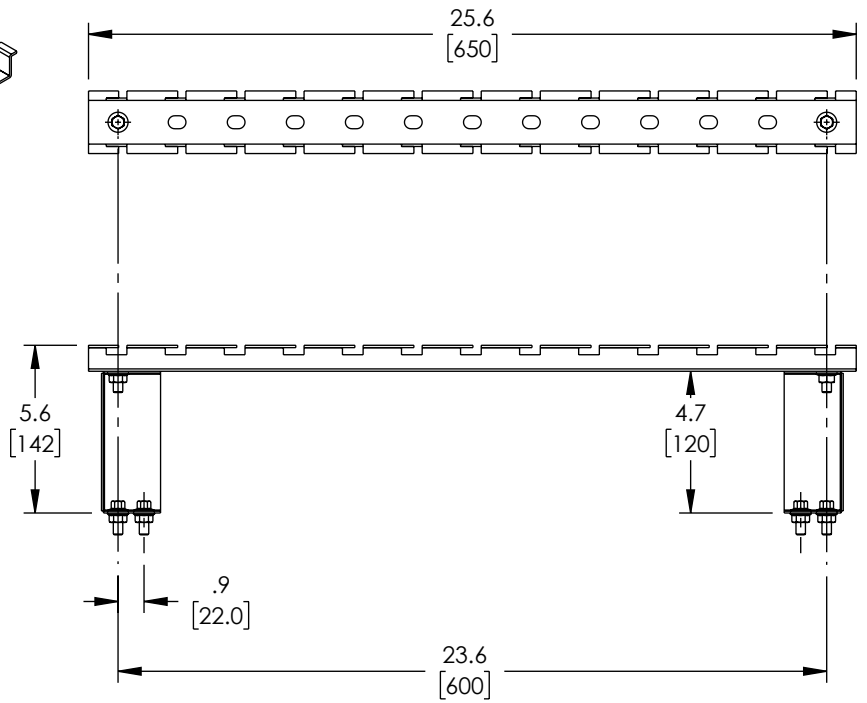
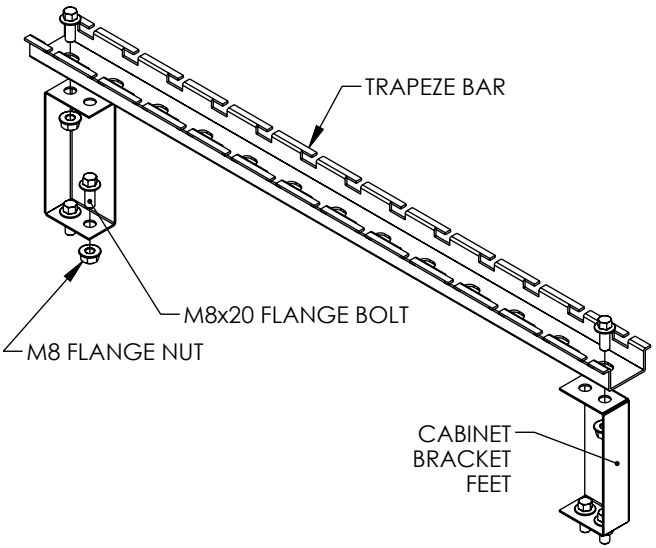



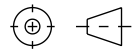
THE INFORMATION CONTAINED IN THIS DRAWING IS THE SOLE PROPERTY OF L-COM, INC. ANY REPRODUCTION IN PART OR WHOLE WITHOUT THE WRITTEN PERMISSION OF L-COM, INC. IS PROHIBITED.

REVISION					
ZONE	REV	DESCRIPTION	DATE	CHANGED BY	APPROVED
	B	ECO-12741	05/05/2023	DZINN	WDIBELLA

D  
C  
B  
A



- NOTES:
1. ALL DIMENSIONS ARE FOR REFERENCE ONLY.
  2. ZINC PLATING THICKNESS  $\geq 6 \mu\text{m}$ .

UNLESS OTHERWISE SPECIFIED, DIMENSIONS ARE IN INCHES [mm] OVERALL CABLE LENGTH TOLERANCE: ≤12 [305] = +1 [25] / -0 >12 [305] ≤60 [1524] = +2 [51] / -0 >60 [1524] ≤120 [3048] = +4 [102] / -0 >120 [3048] ≤300 [7620] = +6 [152] / -0 >300 [7620] = +5% / -0 ALL OTHER DIMENSIONAL TOLERANCES: .X = ± .2 [5]   FRACTIONS ± 1/32 .XX = ± .02 [5]   ANGLES ± 1° .XXX = ± .005 [13]	APPROVALS	DATE	 50 High Street, West Mill, North Andover, MA 01845 USA. Phone: 1.800.341.5266 1.978.682.6936
	DRAWN BY DZINN	02/14/2022	
APPROVED BY WDIBELLA	02/28/2022	CATEGORY <b>RACK ACCESSORIES</b>	
THIRD-ANGLE PROJECTION 	CONFIGURATION DETAILS OF UNDIMENSIONED FEATURES MAY VARY	PRODUCT DESCRIPTION <b>CABINET &amp; FLOOR STAND - 26 INCH (650mm) 2PK</b>	
COLOR VARIATIONS MAY OCCUR	SIZE <b>A</b>	CAGE CODE <b>43321</b>	ITEM NO. <b>LC-EFS600</b>
SCALE: NONE		CAD FILE: LC-EFS600.SLDDRW	REV. <b>B</b>
SHEET 1 OF 1			

8 7 6 5 4 3 2 1