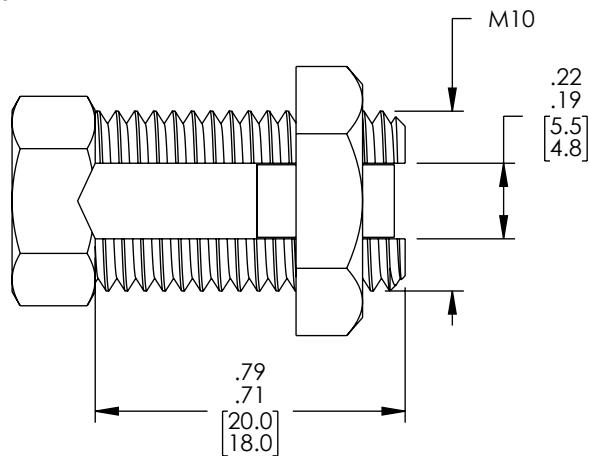
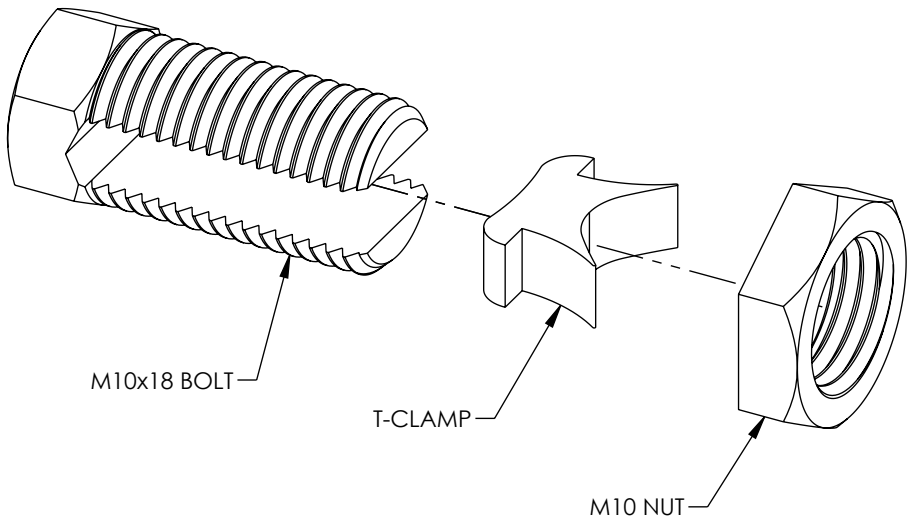


THE INFORMATION CONTAINED IN THIS DRAWING IS THE SOLE PROPERTY OF L-COM, INC. ANY REPRODUCTION IN PART OR WHOLE WITHOUT THE WRITTEN PERMISSION OF L-COM, INC. IS PROHIBITED.

REVISION					
ZONE	REV	DESCRIPTION	DATE	CHANGED BY	APPROVED
	B	ECO-12741	05/04/2023	DZINN	WDIBELLA

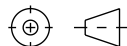


UNLESS OTHERWISE SPECIFIED,
DIMENSIONS ARE IN INCHES [mm]

OVERALL CABLE LENGTH TOLERANCE:
 ≤ 12 [305] = +1 [25] / -0
 > 12 [305] ≤ 60 [1524] = +2 [51] / -0
 > 60 [1524] ≤ 120 [3048] = +4 [102] / -0
 > 120 [3048] ≤ 300 [7620] = +6 [152] / -0
 > 300 [7620] = +5% / -0

ALL OTHER DIMENSIONAL TOLERANCES:
.X = $\pm .2$ [5] | FRACTIONS $\pm 1/32$
.XX = $\pm .02$ [.5] | ANGLES $\pm 1^\circ$
.XXX = $\pm .005$ [.13]

THIRD-ANGLE PROJECTION



APPROVALS	DATE
DRAWN BY DZINN	02/14/2022
CHECKED BY VCHAN	02/28/2022
APPROVED BY WDIBELLA	02/28/2022

L-com
an INFINITI[®] brand

50 High Street, West Mill,
North Andover, MA 01845 USA.
Phone: 1.800.341.5266
1.978.682.6936

CATEGORY
RACK ACCESSORIES

PRODUCT DESCRIPTION
COPPER GROUNDING NUT & BOLT 10PK

SIZE	CAGE CODE	ITEM NO.	REV.
A	43321	LC-EHB-A	B

SCALE: NONE | CAD FILE: LC-EHB-A.SLDDRW | SHEET 1 OF 1