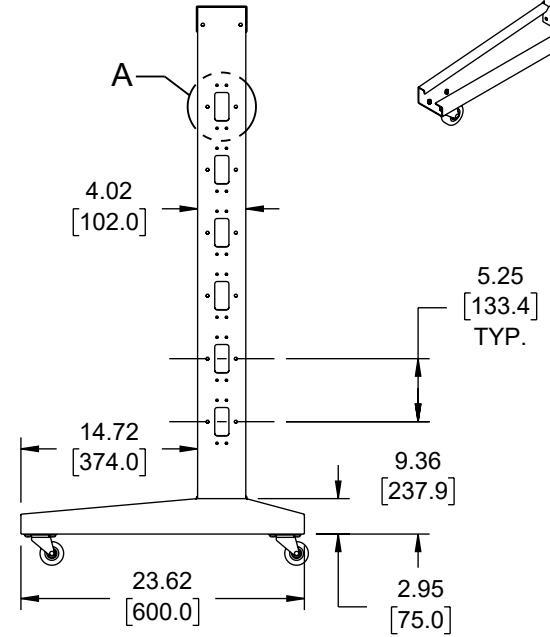
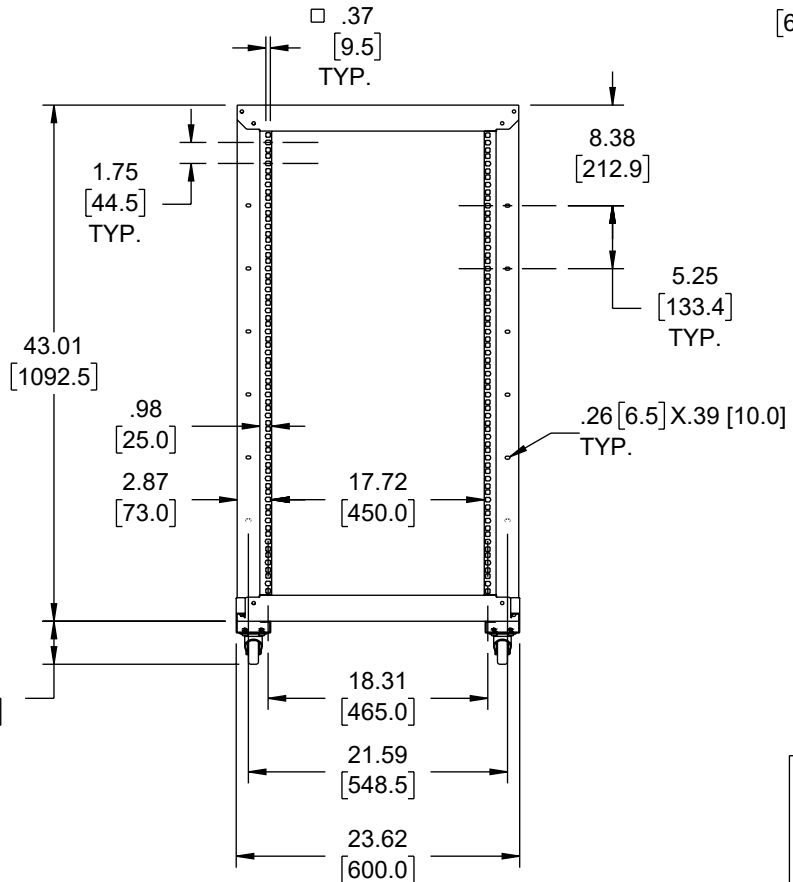
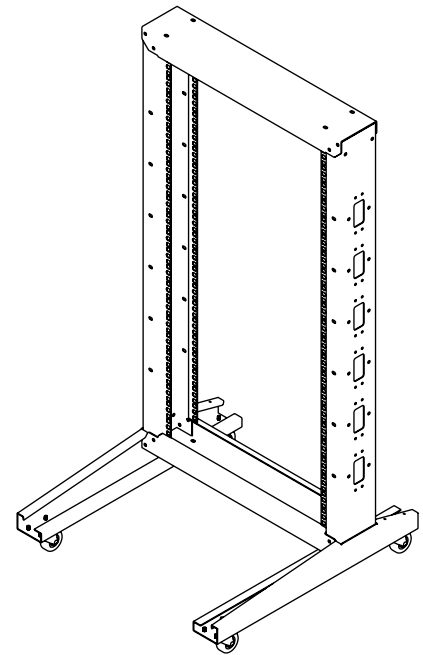
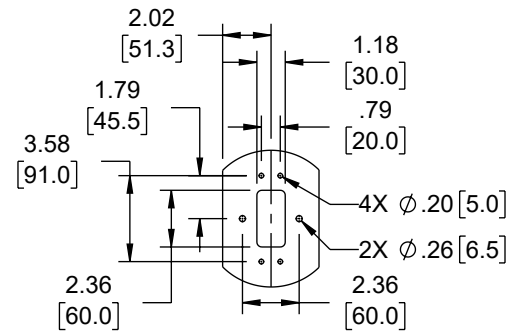
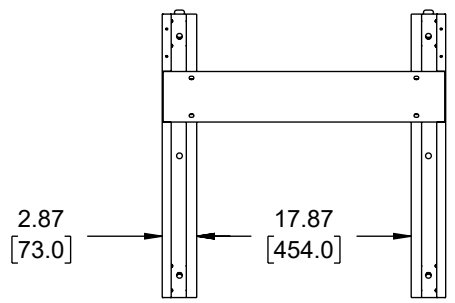


THE INFORMATION CONTAINED IN THIS DRAWING IS THE SOLE PROPERTY OF L-COM, INC. ANY REPRODUCTION IN PART OR WHOLE WITHOUT THE WRITTEN PERMISSION OF L-COM, INC. IS PROHIBITED.

REVISION					
ZONE	REV	DESCRIPTION	DATE	CHANGED BY	APPROVED
	A	INITIAL RELEASE	07/26/2023	HBAKKE	THOUGHTON

D
C
B
A



<p>UNLESS OTHERWISE SPECIFIED, DIMENSIONS ARE IN INCHES [mm]</p> <p>OVERALL CABLE LENGTH TOLERANCE: ≤12 [305] = +1 [25] / -0 >12 [305] ≤60 [1524] = +2 [51] / -0 >60 [1524] ≤120 [3048] = +4 [102] / -0 >120 [3048] ≤300 [7620] = +6 [152] / -0 >300 [7620] = +5% / -0</p> <p>ALL OTHER DIMENSIONAL TOLERANCES: .X = ± .2 [5] FRACTIONS ± 1/32 .XX = ± .02 [5] ANGLES ± 1° .XXX = ± .005 [1.3]</p> <p>THIRD-ANGLE PROJECTION</p>	APPROVALS	DATE	<p>an INFINITI® brand</p>	50 High Street, West Mill, North Andover, MA 01845 USA. Phone: 1.800.341.5266 1.978.682.6936	
	DRAWN BY HBAKKE	07/26/2023			
	CHECKED BY DMAY	07/26/2023	CATEGORY		
	APPROVED BY JWASKE	07/26/2023	RACKS & CABINETS		
CONFIGURATION DETAILS OF UNDIMENSIONED FEATURES MAY VARY			PRODUCT DESCRIPTION 22U 2-POST OPEN FRAME RACK WITH CASTERS RAL9003 -SIGNAL WHITE		
COLOR VARIATIONS MAY OCCUR			SIZE A	CAGE CODE 43321	
			ITEM NO. LC-SRA6622-W	REV. A	
			SCALE: NONE	CAD FILE: lc-sra6622-w_lc.SLDDRW	
			SHEET 1 OF 1		

8 7 6 5 4 3 2 1