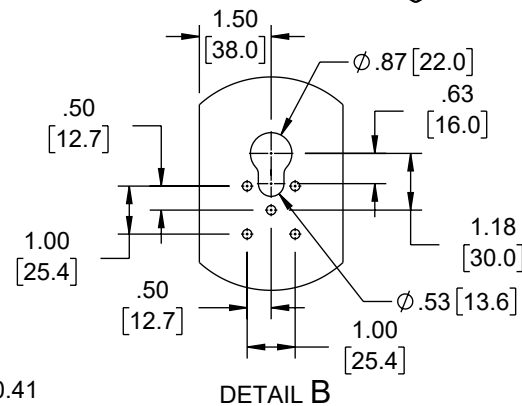
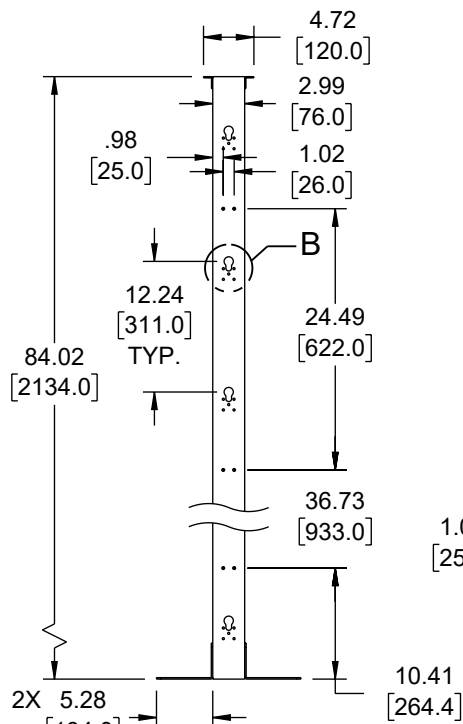
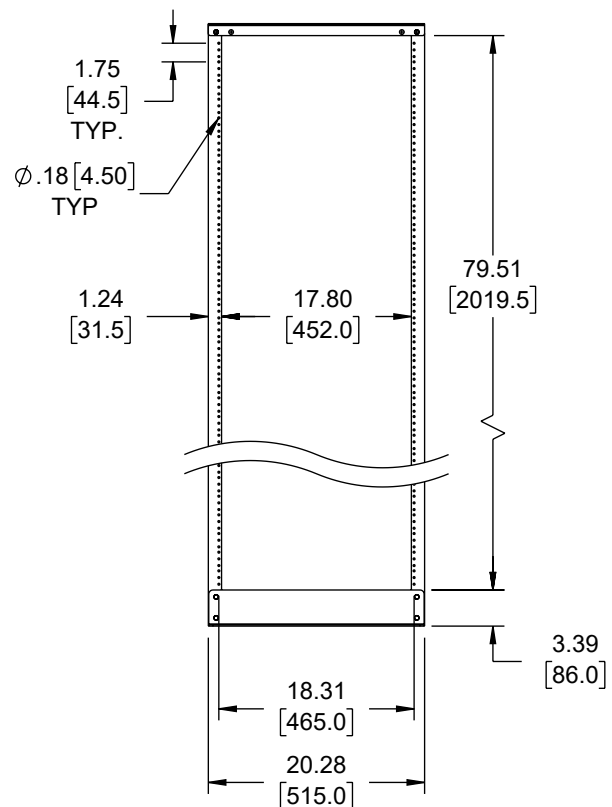
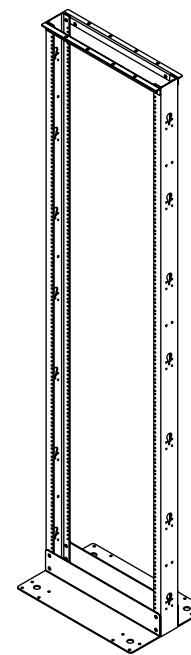
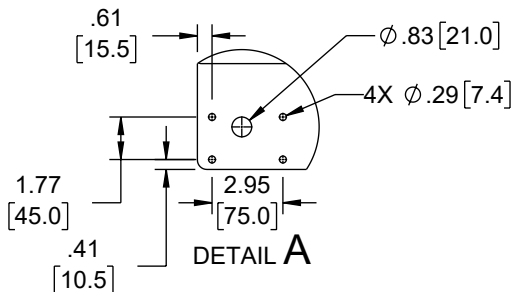
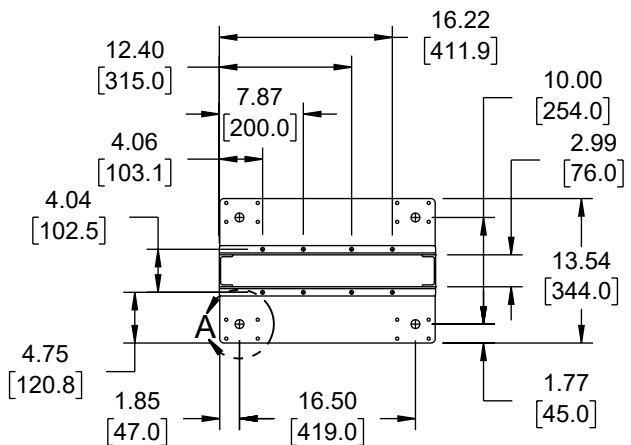


THE INFORMATION CONTAINED IN THIS DRAWING IS THE SOLE PROPERTY OF L-COM, INC. ANY REPRODUCTION IN PART OR WHOLE WITHOUT THE WRITTEN PERMISSION OF L-COM, INC. IS PROHIBITED.

REVISION					
ZONE	REV	DESCRIPTION	DATE	CHANGED BY	APPROVED
	A	INITIAL RELEASE	07/26/2023	HBAKKE	THOUGHTON



UNLESS OTHERWISE SPECIFIED, DIMENSIONS ARE IN INCHES [mm]

OVERALL CABLE LENGTH TOLERANCE:  
 ≤12 [305] = +1 [25] / -0  
 >12 [305] ≤60 [1524] = +2 [51] / -0  
 >60 [1524] ≤120 [3048] = +4 [102] / -0  
 >120 [3048] ≤300 [7620] = +6 [152] / -0  
 >300 [7620] = +5% / -0

ALL OTHER DIMENSIONAL TOLERANCES:  
 .X = ± .2 [5] | FRACTIONS ± 1/32  
 .XX = ± .02 [5] | ANGLES ± 1°  
 .XXX = ± .005 [13]

THIRD-ANGLE PROJECTION

APPROVALS	DATE
DRAWN BY HBAKKE	7/26/2023
CHECKED BY DMAY	07/26/2023
APPROVED BY JWASKE	07/26/2023
CONFIGURATION DETAILS OF UNDIMENSIONED FEATURES MAY VARY	
COLOR VARIATIONS MAY OCCUR	

**L-com**  
an INFINITI® brand

50 High Street, West Mill, North Andover, MA 01845 USA. Phone: 1.800.341.5266 1.978.682.6936

CATEGORY: RACKS & CABINETS

PRODUCT DESCRIPTION: 45U ALUMINUM 2-POST OPEN FRAME RAL9003 - SIGNAL WHITE

SIZE: A	CAGE CODE: 43321	ITEM NO.: LC-SW2POS45U-AL-W	REV.: A
---------	------------------	-----------------------------	---------

SCALE: NONE | CAD FILE: LC-SW2POS45U-AL-W\_LC.SLDDRW | SHEET 1 OF 1