

THE INFORMATION CONTAINED IN THIS DRAWING IS THE SOLE PROPERTY OF L-COM, INC. ANY REPRODUCTION IN PART OR WHOLE WITHOUT THE WRITTEN PERMISSION OF L-COM, INC. IS PROHIBITED.

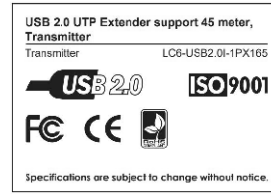
REVISION					
ZONE	REV	DESCRIPTION	DATE	CHANGED BY	APPROVED
	A	INITIAL RELEASE	07/27/2023	PSRINIVAS	GUTTADAURO

PCB Label
(15x6mm,black on white)

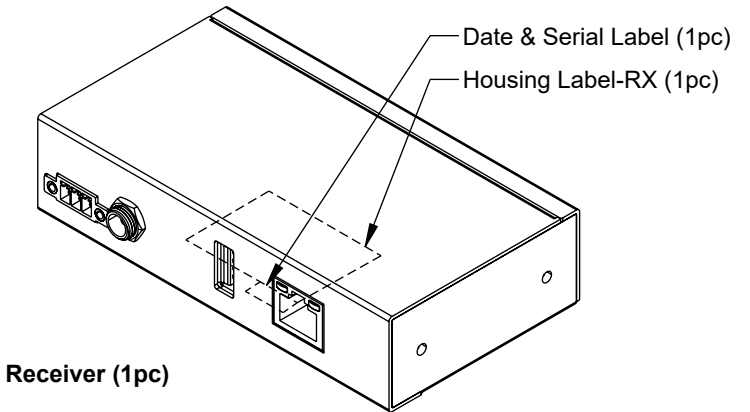
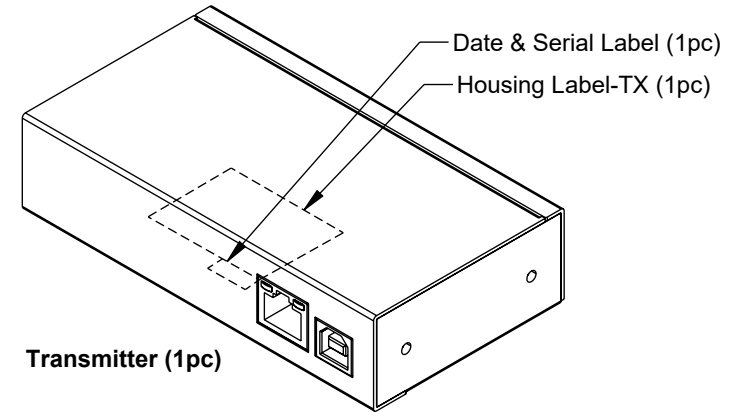
Date & Serial Label
(18x7mm,black on silver)



Housing Label-RX
(50x35mm,black on white)



Housing Label-TX
(50x35mm,black on white)



FEATURES:-

- EXTENDS USB TRANSMISSION DISTANCE UP TO 45 METERS / 150 FEET USING CAT5E OR CAT6 UTP SOLID CORE ETHERNET CABLE.
- COMPLIANT WITH USB 2.0 STANDARD AND SUPPORTS SPEEDS UP TO 480MBPS.
- IDEAL FOR USB PERIPHERAL EXTENSION AND DATA TRANSFER
- PLUG AND PLAY WITH NO SOFTWARE REQUIRED AND COMPATIBLE WITH ALL MAJOR OPERATING SYSTEMS
- SUPPORTS WEBCAM STREAMING WITH UP TO 1080P RESOLUTION/
- IF USED WITH A USB FLASH, HDD DRIVE OR OTHER PERIPHERAL THAT REQUIRES POWER, THEN AN EXTERNAL POWER SOURCE MUST BE CONNECTED
- SUPPORTS ESD PROTECTION AS 15KV IN CONTACT WITH METAL SHELL
- MATERIAL: SILVER, METAL.
- OPERATING TEMPERATURE RANGE: 32° TO 122° F / 0° TO 50° C
- STORAGE TEMPERATURE RANGE: -4° TO 158° F / -20° TO 70° C
- RELATIVE HUMIDITY: 0 TO 85%, NON-CONDENSING.

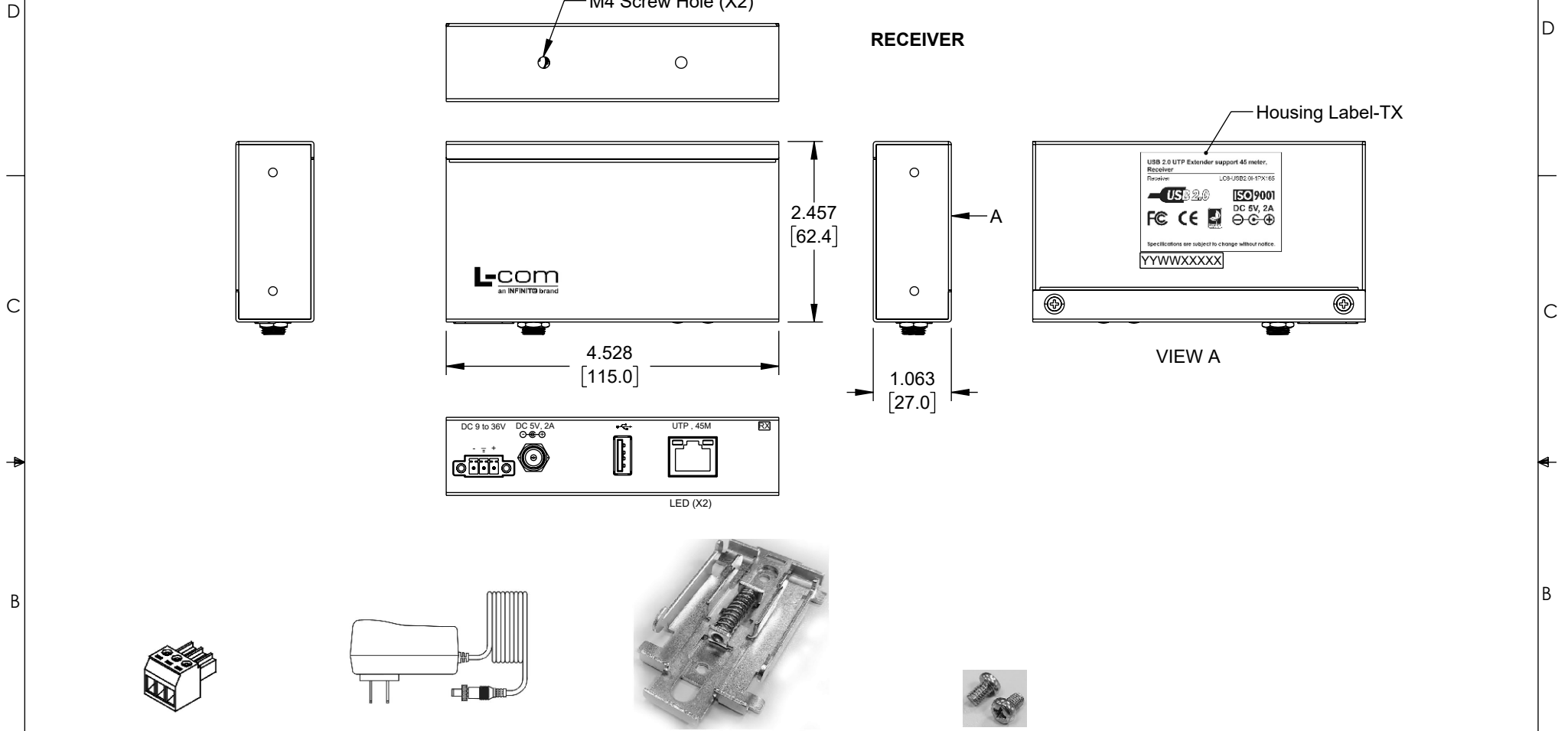
NOTES:

- ALL MARKINGS AND LABELS ARE FOR REFERENCE ONLY
- PARTS ARE INDIVIDUALLY PACKAGED
- INCLUDED IN PACKAGE, 1X TX UNIT, 1X RX UNIT, 2X DIN RAIL MOUNTS, 4X M4 MOUNTING SCREWS, 1X RS232 TERMINAL BLOCK, 1X MANUAL, 1X POWER ADAPTER

UNLESS OTHERWISE SPECIFIED, DIMENSIONS ARE IN INCHES [mm]	APPROVALS	DATE	 an INFINIT® brand	50 High Street, West Mill, North Andover, MA 01845 USA. Phone: 1.800.341.5266 1.978.682.6936
	DRAWN BY PSRINIVAS	07/27/2023		
OVERALL CABLE LENGTH TOLERANCE: ≤12 [305] = +1 [25] / -0 >12 [305] ≤60 [1524] = +2 [51] / -0 >60 [1524] ≤120 [3048] = +4 [102] / -0 >120 [3048] ≤300 [7620] = +6 [152] / -0 >300 [7620] = +5% / -0	CHECKED BY DFRISIELLO	07/27/2023	CATEGORY USB EXTENSION	
ALL OTHER DIMENSIONAL TOLERANCES: .X = ± .2 [5] FRACTIONS ± 1/32 .XX = ± .02 [.5] ANGLES ± 1° .XXX = ± .005 [1.3]	APPROVED BY GUTTADAURO	07/27/2023	PRODUCT DESCRIPTION INDUSTRIAL LEVEL ESD PROTECTION USB 2.0 UTP EXTENDER (UP TO 165 FT OVER 24 AWG SOLID CAT6 CABLE)	
THIRD-ANGLE PROJECTION 	CONFIGURATION DETAILS OF UNDIMENSIONED FEATURES MAY VARY	COLOR VARIATIONS MAY OCCUR	SIZE A	CAGE CODE 43321
			ITEM NO. LC6-USB20I-1PX165	REV. A
			SCALE: NONE	CAD FILE: LC6-USB20I-1PX165.SLDDRW
				SHEET 1 OF 4

THE INFORMATION CONTAINED IN THIS DRAWING IS THE SOLE PROPERTY OF L-COM, INC. ANY REPRODUCTION IN PART OR WHOLE WITHOUT THE WRITTEN PERMISSION OF L-COM, INC. IS PROHIBITED.

REVISION					
ZONE	REV	DESCRIPTION	DATE	CHANGED BY	APPROVED
	A	INITIAL RELEASE	07/27/2023	PSRINIVAS	GUTTADAURO



T-Rev.D1

<p>UNLESS OTHERWISE SPECIFIED, DIMENSIONS ARE IN INCHES [mm]</p> <p>OVERALL CABLE LENGTH TOLERANCE: ≤12 [305] = +1 [25] / -0 >12 [305] ≤60 [1524] = +2 [51] / -0 >60 [1524] ≤120 [3048] = +4 [102] / -0 >120 [3048] ≤300 [7620] = +6 [152] / -0 >300 [7620] = +5% / -0</p> <p>ALL OTHER DIMENSIONAL TOLERANCES: .X = ± .2 [5] FRACTIONS ± 1/32 .XX = ± .02 [.5] ANGLES ± 1° .XXX = ± .005 [.13]</p> <p>THIRD-ANGLE PROJECTION</p>	APPROVALS	DATE	<p>50 High Street, West Mill, North Andover, MA 01845 USA. Phone: 1.800.341.5266 1.978.682.6936</p>
	DRAWN BY PSRINIVAS	07/27/2023	
	CHECKED BY DFRISIELLO	07/27/2023	
	APPROVED BY GUTTADAURO	07/27/2023	
	CONFIGURATION DETAILS OF UNDIMENSIONED FEATURES MAY VARY		<p>CATEGORY</p> <p>USB EXTENSION</p>
	COLOR VARIATIONS MAY OCCUR	<p>PRODUCT DESCRIPTION</p> <p>INDUSTRIAL LEVEL ESD PROTECTION USB 2.0 UTP EXTENDER (UP TO 165 FT OVER 24 AWG SOLID CAT6 CABLE)</p>	<p>SIZE</p> <p>A</p>
		<p>CAGE CODE</p> <p>43321</p>	<p>ITEM NO.</p> <p>LC6-USB20I-1PX165</p>
		<p>SCALE: NONE</p>	<p>CAD FILE: LC6-USB20I-1PX165.SLDDRW</p>
			<p>SHEET 2 OF 4</p>

THE INFORMATION CONTAINED IN THIS DRAWING IS THE SOLE PROPERTY OF L-COM, INC. ANY REPRODUCTION IN PART OR WHOLE WITHOUT THE WRITTEN PERMISSION OF L-COM, INC. IS PROHIBITED.

REVISION					
ZONE	REV	DESCRIPTION	DATE	CHANGED BY	APPROVED
	A	INITIAL RELEASE	07/27/2023	PSRINIVAS	GUTTADAURO

D

C

B

A

D

C

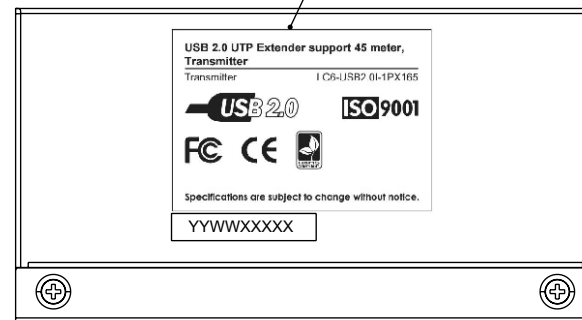
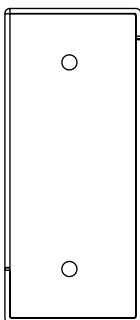
B

A

M4 Screw Hole (x2)

TRANSMITTER

Housing Label-TX

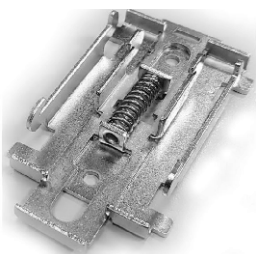
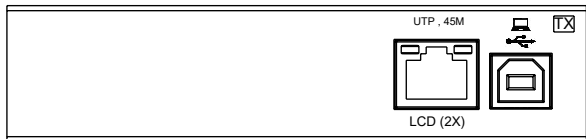


2.457
[62.4]

1.063
[27.0]

4.528
[115.0]

VIEW A



Din Rail Mount



M4 Screw

<p>UNLESS OTHERWISE SPECIFIED, DIMENSIONS ARE IN INCHES [mm]</p> <p>OVERALL CABLE LENGTH TOLERANCE: ≤12 [305] = +1 [25] / -0 >12 [305] ≤60 [1524] = +2 [51] / -0 >60 [1524] ≤120 [3048] = +4 [102] / -0 >120 [3048] ≤300 [7620] = +6 [152] / -0 >300 [7620] = +5% / -0</p> <p>ALL OTHER DIMENSIONAL TOLERANCES: .X = ± .2 [5] FRACTIONS ± 1/32 .XX = ± .02 [5] ANGLES ± 1° .XXX = ± .005 [13]</p> <p>THIRD-ANGLE PROJECTION</p>	APPROVALS	DATE
	<p>DRAWN BY PSRINIVAS</p> <p>CHECKED BY DFRISIELLO</p> <p>APPROVED BY GUTTADAURO</p>	<p>07/27/2023</p> <p>07/27/2023</p> <p>07/27/2023</p>

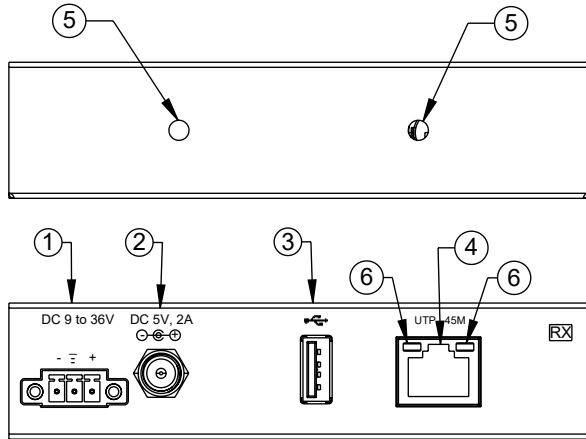
<p>CONFIGURATION DETAILS OF UNDIMENSIONED FEATURES MAY VARY</p> <p>COLOR VARIATIONS MAY OCCUR</p>

		<p>50 High Street, West Mill, North Andover, MA 01845 USA. Phone: 1.800.341.5266 1.978.682.6936</p>	
<p>CATEGORY</p> <p>USB EXTENSION</p>			
<p>PRODUCT DESCRIPTION</p> <p>INDUSTRIAL LEVEL ESD PROTECTION USB 2.0 UTP EXTENDER (UP TO 165 FT OVER 24 AWG SOLID CAT6 CABLE)</p>			
<p>SIZE</p> <p>A</p>	<p>CAGE CODE</p> <p>43321</p>	<p>ITEM NO.</p> <p>LC6-USB20I-1PX165</p>	<p>REV.</p> <p>A</p>
<p>SCALE: NONE</p>		<p>CAD FILE: LC6-USB20I-1PX165.SLDDRW</p>	
			<p>SHEET 3 OF 4</p>

THE INFORMATION CONTAINED IN THIS DRAWING IS THE SOLE PROPERTY OF L-COM, INC. ANY REPRODUCTION IN PART OR WHOLE WITHOUT THE WRITTEN PERMISSION OF L-COM, INC. IS PROHIBITED.

REVISION					
ZONE	REV	DESCRIPTION	DATE	CHANGED BY	APPROVED
	A	INITIAL RELEASE	07/27/2023	PSRINIVAS	GUTTADAURO

PANEL DESCRIPTION



RECEIVER UNIT:-

- PHOENIX CONNECTOR FOR EXTERNAL POWER IN 9V~36V (OPTIONAL)
- DC POWER IN
- USB OUTPUT – CONNECT TO USB-A DEVICE, SUCH AS KEYBOARD, MOUSE, USB FLASH, USB HDD, ETC.
- RJ-45 INPUT – CONNECT A CAT 6 CABLE FROM TRANSMITTER TO THIS RJ-45 JACK AS SIGNAL INPUT
- DIN RAIL SCREWFIX

LED DESCRIPTION:-

- RJ-45 JACK LED INDICATOR – LEFT SIDE

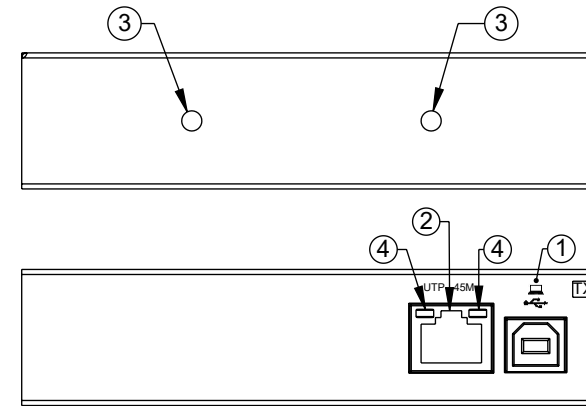
GREEN LED LIGHT WILL BE ON WHEN RECEIVER RECEIVED SIGNAL FROM TRANSMITTER

RIGHT SIDE

ORANGE LED LIGHT SHOULD BLINK WHEN DATA IS BEING TRANSMITTED.

NOTICE: -

IF CONNECTING TO A HIGH DENSITY USB FLASH, HDD OR OTHER USB DEVICE THAT REQUIRES USB BUS POWER, THE RX UNIT REQUIRES EXTERNAL POWER VIA THE TERMINAL BLOCK OR DC INPUT TO PROVIDE SAID POWER.



TRANSMITTER UNIT:-

- USB INPUT – CONNECT TO SOURCE SUCH AS PC/NOTEBOOK, ETC.
- RJ-45 OUTPUT – CONNECT A CAT 6 CABLES TO EXTEND SIGNAL
- DIN RAIL SCREWFIX

LED DESCRIPTION:-

- RJ-45 2 SIDE LED INDICATOR – LEFT SIDE

GREEN LED LIGHT WILL BE ON WHEN TRANSMITTER CONNECTS TO RECEIVER.

RIGHT SIDE

ORANGE LED LIGHT WILL BE ONE WHEN TRANSMITTER SENDS SIGNAL THROUGH THE RJ-45 JACK.

UNLESS OTHERWISE SPECIFIED, DIMENSIONS ARE IN INCHES [mm] OVERALL CABLE LENGTH TOLERANCE: ≤12 [305] = +1 [25] / -0 >12 [305] ≤60 [1524] = +2 [51] / -0 >60 [1524] ≤120 [3048] = +4 [102] / -0 >120 [3048] ≤300 [7620] = +6 [152] / -0 >300 [7620] = +5% / -0 ALL OTHER DIMENSIONAL TOLERANCES: .X = ± .2 [5] FRACTIONS ± 1/32 .XX = ± .02 [5] ANGLES ± 1° .XXX = ± .005 [1.3]	APPROVALS DRAWN BY PSRINIVAS CHECKED BY DFRISIELLO APPROVED BY GUTTADAURO	DATE 07/27/2023 07/27/2023 07/27/2023	50 High Street, West Mill, North Andover, MA 01845 USA. Phone: 1.800.341.5266 1.978.682.6936
	CONFIGURATION DETAILS OF UNDIMENSIONED FEATURES MAY VARY		
THIRD-ANGLE PROJECTION 	COLOR VARIATIONS MAY OCCUR	SIZE A	CAGE CODE 43321
		ITEM NO. LC6-USB20I-1PX165	REV. A
		SCALE: NONE	CAD FILE: LC6-USB20I-1PX165.SLDDRW
		SHEET 4 OF 4	