

6

5

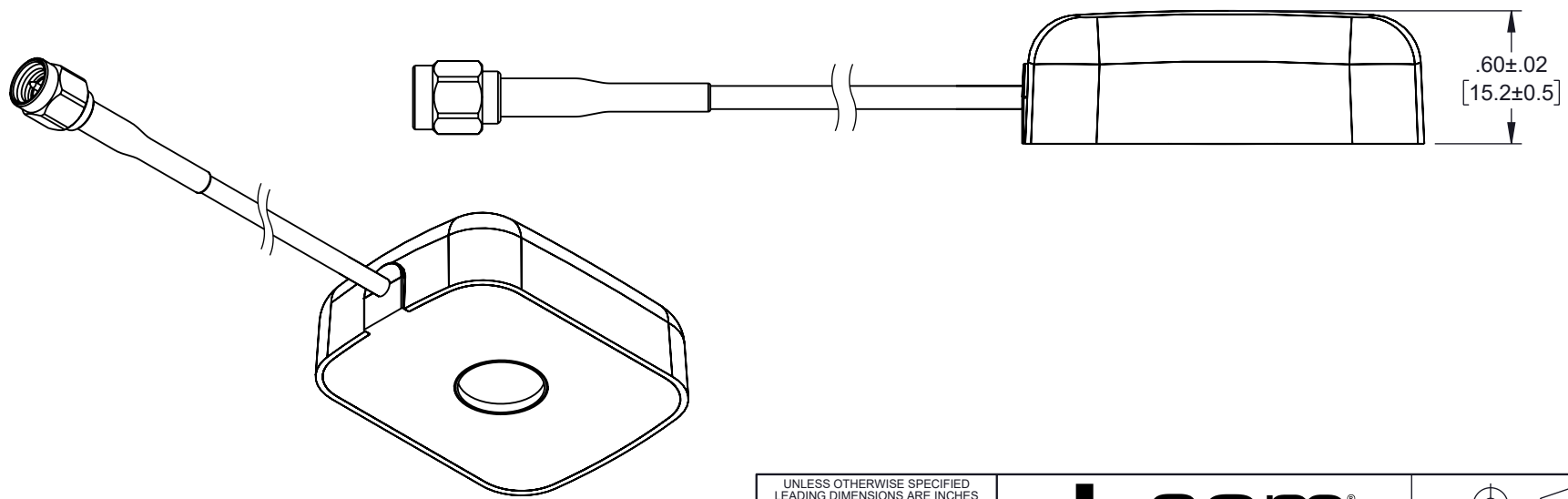
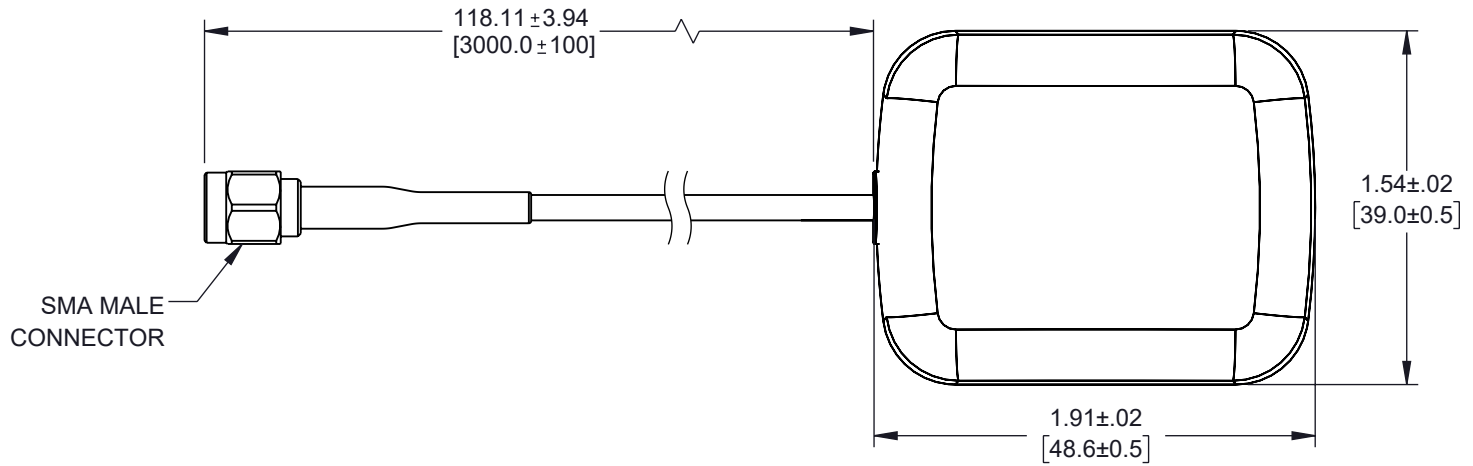
4

3

2

1

| REVISION | | | | | |
|----------|-----|-------------|------------|------------|----------|
| ZONE | REV | DESCRIPTION | DATE | CHANGED BY | APPROVED |
| | B | ECO-12909 | 11/21/2023 | DMAY | KHIETPAS |



THE INFORMATION CONTAINED IN THIS DRAWING IS THE SOLE PROPERTY OF INFINITE ELECTRONICS, INC. ANY REPRODUCTION IN PART OR WHOLE WITHOUT THE WRITTEN PERMISSION OF INFINITE ELECTRONICS, INC. IS PROHIBITED. THESE COMMODITIES, TECHNOLOGY OR SOFTWARE WERE EXPORTED FROM THE UNITED STATES IN ACCORDANCE WITH THE EXPORT ADMINISTRATION REGULATIONS. DIVERSION CONTRARY TO U.S. LAW PROHIBITED.

UNLESS OTHERWISE SPECIFIED
LEADING DIMENSIONS ARE INCHES
DIMENSIONS IN [] ARE MILLIMETERS

TOLERANCES:

| | |
|-----------------------|------------------|
| X = ± 2 [5] | FRACTIONS ± 1/32 |
| .XX = ± 0.02 [0.5] | ANGLES ± 1° |
| .XXX = ± 0.005 [0.13] | |

CABLE LENGTH TOLERANCES:

| | |
|---------------------------|-----------------|
| ≤ 12 [305] | = +1 [25] / -0 |
| > 12 [305] ≤ 60 [1524] | = +2 [51] / -0 |
| > 60 [1524] ≤ 120 [3048] | = +4 [102] / -0 |
| > 120 [3048] ≤ 300 [7620] | = +6 [152] / -0 |
| > 300 [7620] | = +5% / -0 |

ALL DIMENSIONS ARE FOR REFERENCE ONLY AND SUBJECT TO CHANGE WITHOUT NOTICE UN-DIMENSIONED/NON-CRITICAL FEATURES MAY VARY IN SIZE AND LOCATION COLORS MAY VARY



an INFINITE® brand
Website: www.L-com.com
Phone: 1.800.341.5266 | 1.978.682.6936

| | |
|--|--------|
| | |
| INTERPRET ALL DIMENSIONS AND TOLERANCES PER ASME Y14.5 | |
| SCALE | SHEET |
| NONE | 1 OF 1 |

DESCRIPTION
28dB ACTIVE GPS ANTENNA RHCP 1575 MHz, RG174 SMA MALE IP66

| | | | | |
|------|-----------|----------|-------------|-----|
| SIZE | CAGE CODE | DRAWN BY | ITEM NO. | REV |
| A | 43321 | DMAY | LCANGPS1011 | B |

6

5

4

3

2

1