

6

5

4

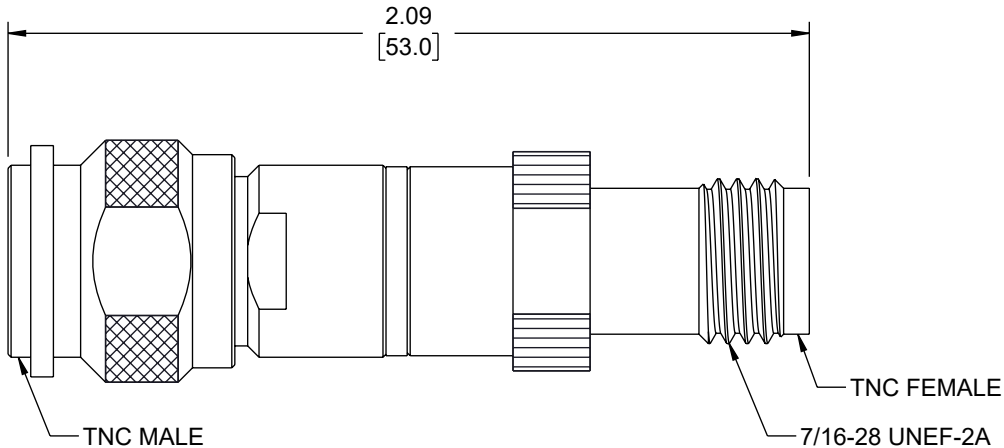
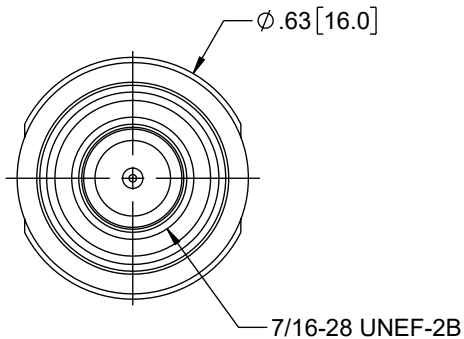
3

2

1

REVISION

| ZONE | REV | DESCRIPTION     | DATE       | CHANGED BY | APPROVED |
|------|-----|-----------------|------------|------------|----------|
|      | A   | INITIAL RELEASE | 01/22/2024 | HBAKKE     | SPONG    |



UNLESS OTHERWISE SPECIFIED LEADING DIMENSIONS ARE INCHES DIMENSIONS IN [ ] ARE MILLIMETERS

TOLERANCES:

|                     |                  |
|---------------------|------------------|
| X = ±.2 [5]         | FRACTIONS ± 1/32 |
| .XX = ±.02 [0.5]    | ANGLES ± 1°      |
| .XXX = ±.005 [0.13] |                  |

CABLE LENGTH TOLERANCES:

|                          |                 |
|--------------------------|-----------------|
| ≤12 [305]                | = +1 [25] / -0  |
| >12 [305] ≤ 60 [1524]    | = +2 [51] / -0  |
| >60 [1524] ≤ 120 [3048]  | = +4 [102] / -0 |
| >120 [3048] ≤ 300 [7620] | = +6 [152] / -0 |
| >300 [7620]              | = +5% / -0      |

ALL DIMENSIONS ARE FOR REFERENCE ONLY AND SUBJECT TO CHANGE WITHOUT NOTICE UN-DIMENSIONED/NON-CRITICAL FEATURES MAY VARY IN SIZE AND LOCATION COLORS MAY VARY



Website: www.L-com.com  
Phone: 1.800.341.5266 | 1.978.682.6936



|       |        |
|-------|--------|
| SCALE | SHEET  |
| NONE  | 1 OF 1 |

DESCRIPTION  
**20 dB 50 OHM FIXED ATTENUATOR TNC MALE TO TNC FEMALE  
 3 GHz RATED 2 WATT**

THE INFORMATION CONTAINED IN THIS DRAWING IS THE SOLE PROPERTY OF INFINITE ELECTRONICS, INC. ANY REPRODUCTION IN PART OR WHOLE WITHOUT THE WRITTEN PERMISSION OF INFINITE ELECTRONICS, INC. IS PROHIBITED. THESE COMMODITIES, TECHNOLOGY OR SOFTWARE WERE EXPORTED FROM THE UNITED STATES IN ACCORDANCE WITH THE EXPORT ADMINISTRATION REGULATIONS. DIVERSION CONTRARY TO U.S. LAW PROHIBITED.

|      |           |          |             |     |
|------|-----------|----------|-------------|-----|
| SIZE | CAGE CODE | DRAWN BY | ITEM NO.    | REV |
| A    | 43321     | HBAKKE   | LCAT7609-20 | A   |

6

5

4

3

2

1