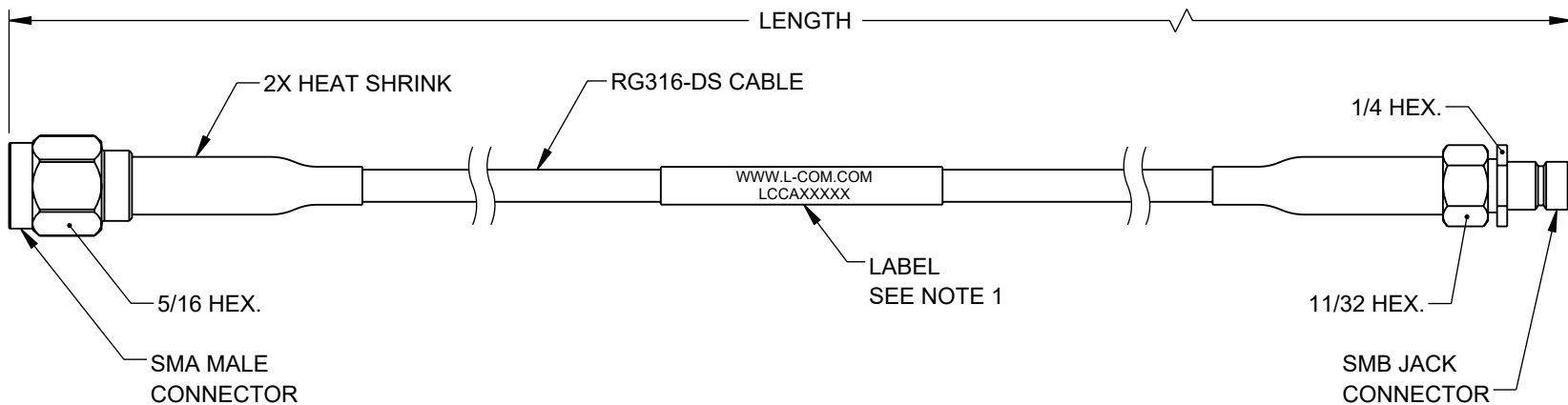


THE INFORMATION CONTAINED IN THIS DRAWING IS THE SOLE PROPERTY OF L-COM, INC. ANY REPRODUCTION IN PART OR WHOLE WITHOUT THE WRITTEN PERMISSION OF L-COM, INC. IS PROHIBITED.

REVISION					
ZONE	REV.	DESCRIPTION	DATE	CHANGED BY	APPROVED BY
	A	INITIAL RELEASE	06/23/2023	VTHANGARAJ	AGANWANI



NOTES:

1. CABLE ASSEMBLY LENGTH LABEL PLACEMENT: 36 INCHES OR LESS, ONE LABEL APPROXIMATELY CENTERED. LONGER THAN 36 INCHES, TWO LABELS APPROXIMATELY 6 INCHES FROM EACH CONNECTOR.
2. CABLE ASSEMBLIES SHALL BE TESTED FOR CONTINUITY.
3. CABLE ASSEMBLY SHALL BE INDIVIDUALLY PACKAGED IN ACCORDANCE WITH L-COM SPECIFICATION PS-0031.

<p>UNLESS OTHERWISE SPECIFIED, DIMENSIONS ARE IN INCHES [mm]</p> <p>OVERALL CABLE LENGTH TOLERANCE: ≤ 12 [305] = +1 [25] / -0 > 12 [305] ≤ 60 [1524] = +2 [51] / -0 > 60 [1524] ≤ 120 [3048] = +4 [102] / -0 > 120 [3048] ≤ 300 [7620] = +6 [152] / -0 > 300 [7620] = +5% / -0</p> <p>ALL OTHER DIMENSIONAL TOLERANCES: .X = $\pm .2$ [5] FRACTIONS $\pm 1/32$.XX = $\pm .02$ [.5] ANGLES $\pm 1^\circ$.XXX = $\pm .005$ [.13]</p> <p>THIRD-ANGLE PROJECTION</p>	<p>APPROVALS</p> <p>DATE</p>	<p>06/23/2023</p> <p>06/23/2023</p> <p>06/23/2023</p>	<p>L-com an INFINITI® brand</p> <p>50 High Street, West Mill, North Andover, MA 01845 USA. Phone: 1.800.341.5266 1.978.682.6936</p>	
	<p>DRAWN BY</p> <p>CHECKED BY</p> <p>APPROVED BY</p>	<p>VTHANGARAJ</p> <p>KLEITLEIN</p> <p>AGANWANI</p>		<p>CATEGORY</p> <p>COAXIAL</p>
	<p>CONFIGURATION DETAILS OF UNDIMENSIONED FEATURES MAY VARY</p>	<p>PRODUCT DESCRIPTION</p> <p>SMA MALE TO SMB JACK CABLE USING RG316-DS COAX WITH HEATSHRINK</p>		
	<p>COLOR VARIATIONS MAY OCCUR</p>	<p>SIZE</p> <p>CAGE CODE</p> <p>ITEM NO.</p> <p>REV.</p>		<p>A</p> <p>43321</p> <p>LCCA31464</p> <p>A</p>
SCALE: NONE		CAD FILE: LCCA31464.SLDDRW	SHEET 1 OF 1	