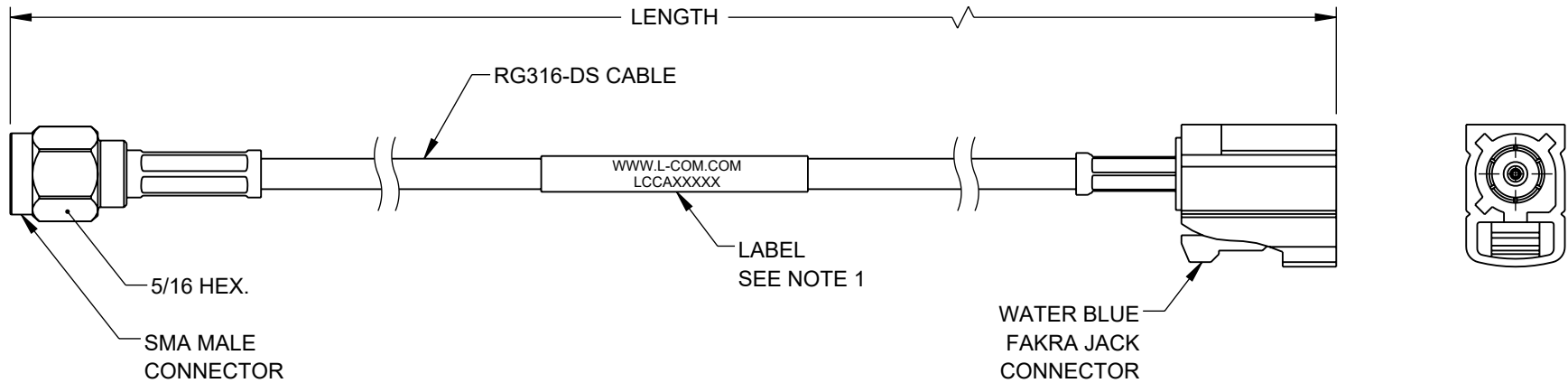


THE INFORMATION CONTAINED IN THIS DRAWING IS THE SOLE PROPERTY OF L-COM, INC. ANY REPRODUCTION IN PART OR WHOLE WITHOUT THE WRITTEN PERMISSION OF L-COM, INC. IS PROHIBITED.

REVISION					
ZONE	REV.	DESCRIPTION	DATE	CHANGED BY	APPROVED BY
	A	INITIAL RELEASE	06/23/2023	VTHANGARAJ	AGANWANI



**NOTES:**

- CABLE ASSEMBLY LENGTH LABEL PLACEMENT: 36 INCHES OR LESS, ONE LABEL APPROXIMATELY CENTERED. LONGER THAN 36 INCHES, TWO LABELS APPROXIMATELY 6 INCHES FROM EACH CONNECTOR.
- CABLE ASSEMBLIES SHALL BE TESTED FOR CONTINUITY.
- CABLE ASSEMBLY SHALL BE INDIVIDUALLY PACKAGED IN ACCORDANCE WITH L-COM SPECIFICATION PS-0031.

<p>UNLESS OTHERWISE SPECIFIED, DIMENSIONS ARE IN INCHES [mm]</p> <p>OVERALL CABLE LENGTH TOLERANCE:  <math>\leq 12</math> [305] = +1 [25] / -0  <math>&gt; 12</math> [305] <math>\leq 60</math> [1524] = +2 [51] / -0  <math>&gt; 60</math> [1524] <math>\leq 120</math> [3048] = +4 [102] / -0  <math>&gt; 120</math> [3048] <math>\leq 300</math> [7620] = +6 [152] / -0  <math>&gt; 300</math> [7620] = +5% / -0</p> <p>ALL OTHER DIMENSIONAL TOLERANCES:  .X = <math>\pm .2</math> [5]   FRACTIONS <math>\pm 1/32</math>  .XX = <math>\pm .02</math> [.5]   ANGLES <math>\pm 1^\circ</math>  .XXX = <math>\pm .005</math> [.13]</p> <p>THIRD-ANGLE PROJECTION</p>	<p>APPROVALS</p> <p>DATE</p>	<p>50 High Street, West Mill, North Andover, MA 01845 USA. Phone: 1.800.341.5266 1.978.682.6936</p>	
	<p>DRAWN BY VTHANGARAJ</p> <p>CHECKED BY KLEITLEIN</p> <p>APPROVED BY AGANWANI</p>		<p>DATE</p> <p>06/23/2023</p> <p>06/23/2023</p> <p>06/23/2023</p>
	<p>CONFIGURATION DETAILS OF UNDIMENSIONED FEATURES MAY VARY</p> <p>COLOR VARIATIONS MAY OCCUR</p>		<p>CATEGORY</p> <p>COAXIAL</p>
	<p>PRODUCT DESCRIPTION</p> <p>SMA MALE TO WATER BLUE FAKRA JACK CABLE USING RG316-DS COAX</p>		<p>SIZE</p> <p>A</p> <p>CAGE CODE</p> <p>43321</p> <p>ITEM NO.</p> <p>LCCA31478</p> <p>REV.</p> <p>A</p>
<p>SCALE: NONE</p> <p>CAD FILE: LCCA31478.SLDDRW</p>		<p>SHEET 1 OF 1</p>	