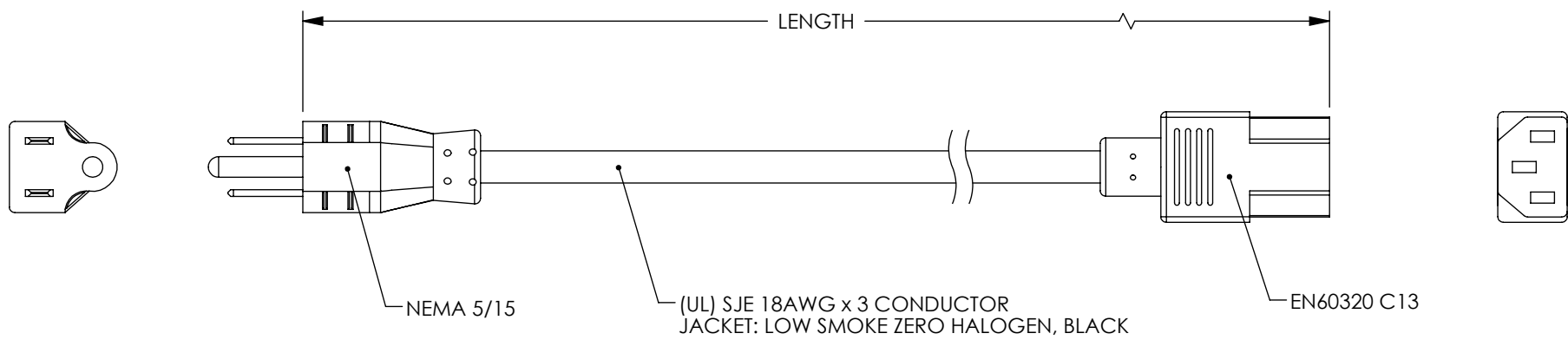


THE INFORMATION CONTAINED IN THIS DRAWING IS THE SOLE PROPERTY OF L-COM, INC. ANY REPRODUCTION IN PART OR WHOLE WITHOUT THE WRITTEN PERMISSION OF L-COM, INC. IS PROHIBITED.

REVISIONS			
REV	DESCRIPTION	DATE	APPROVED
A	INITIAL RELEASE	5/27/14	D.GRIFFIN
B	ECN 7513: REVISED CONNECTOR DESCRIPTION	7/11/14	D. CASTRO



MODEL NUMBER	LENGTH METERS [FEET]
LCPWR18Z-2M	2.0 [6.56]
LCPWR18Z-3M	3.0 [9.84]

Detachable Power Supply Cord
 P/N: LCPWR18Z-2M
 UL File#E234956
 PLUG: 738 / CONNECTOR: 544
 Cable type: SJE3X18AWG 90°C
 Rating: 10A/125V
 Length: 2 meters/6'7"
 Color: Black
 Qty: 1

Detachable Power Supply Cord
 P/N: LCPWR18Z-3M
 UL File#E234956
 PLUG: 738 / CONNECTOR: 544
 Cable type: SJE3X18AWG 90°C
 Rating: 10A/125V
 Length: 3 meters/9'10"
 Color: Black
 Qty: 1

BAG LABEL EXAMPLES

- NOTES:**
1. RATED 10A/125V.
 2. UL LISTED
 3. CORD TO BE PLACED IN A CLEAR BAG WITH WHITE LABEL: SEE BAG LABEL EXAMPLES.
 4. CENTER THE LABEL ON THE CLEAR BAG.

REGULATORY COMPLIANCE:
 CE2011/65/EU(RoHS DIRECTIVE)
 COMPLIES WITH IEC 61034-2 (LOW SMOKE)
 COMPLIES WITH EN 14582 (HALOGEN FREE)

UNLESS OTHERWISE SPECIFIED, DIMENSIONS ARE IN INCHES [mm] OVERALL CABLE LENGTH TOLERANCE: ≤12 [305] = +1 [25] / -0 >12 [305] ≤60 [1524] = +2 [51] / -0 >60 [1524] ≤120 [3048] = +4 [102] / -0 >120 [3048] ≤300 [7620] = +6 [152] / -0 >300 [7620] = +5% / -0%	APPROVALS	DATE		45 BEECHWOOD DRIVE NORTH ANDOVER, MA 01845
	DRAWN BY D.FRISIELLO	8/20/13		
ALL OTHER DIMENSIONAL TOLERANCES: .X = ± .2 [5.08] .XX = ± .02 [.51] .XXX = ±.005 [0.13]	CHECKED BY E.LAMOTT	8/20/13	CATEGORY POWER PRODUCTS	
	APPROVED BY M.MARTINEZ	8/20/13	PRODUCT DESCRIPTION N5/15P-SJE3X18 C13 LSHZ BLK	
PROJECTION 	CONFIGURATION DETAILS OF UNDIMENSIONED FEATURES MAY VARY	COLOR VARIATIONS MAY OCCUR	SIZE A	FSCM NO. 43321
			DWG. NO. LCPWR18Z	REV. B
			SCALE: NONE	CAD FILE: LCPWR18Z.SLDDRW
			SHEET 1 OF 1	