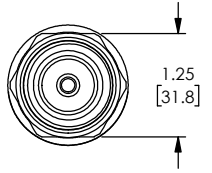
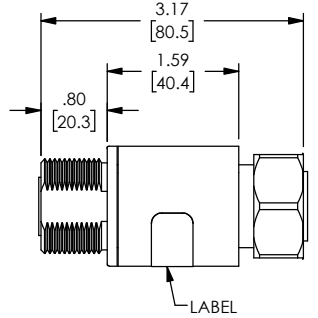
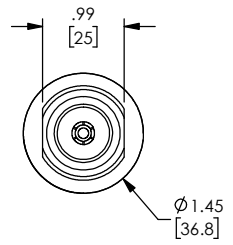
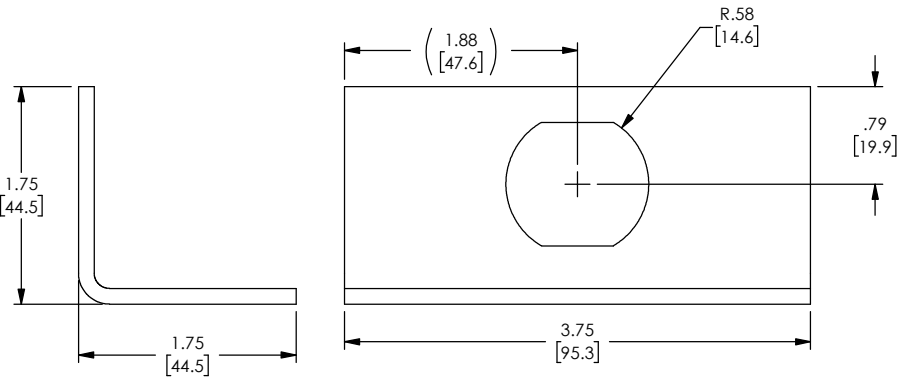
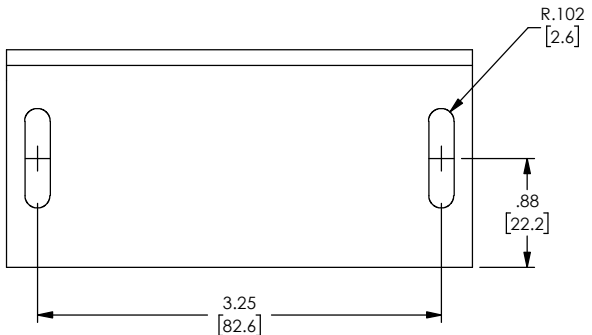


THE INFORMATION CONTAINED IN THIS DRAWING IS THE SOLE PROPERTY OF L-COM, INC. ANY REPRODUCTIONS IN PART OR WHOLE WITHOUT THE WRITTEN PERMISSION OF L-COM, INC. IS PROHIBITED.

REVISIONS			
REV	DESCRIPTION	DATE	CHANGED BY
A	INITIAL RELEASE	2/28/18	D.FRISIELLO



**NOTES:**  
BRACKET AND HARDWARE INCLUDED.

COMPONENTS SHALL BE INDIVIDUALLY PACKAGED IN ACCORDANCE WITH L-COM SPECIFICATION PS-0031.

**REGULATORY COMPLIANCE:**  
CE2011/65/EU (RoHS DIRECTIVE)

UNLESS OTHERWISE SPECIFIED, DIMENSIONS ARE IN INCHES (mm) OVERALL CABLE LENGTH TOLERANCE: ≤12 (305) ≤40 (1024) = +1 (25) / -0 ≤12 (305) ≤40 (1024) = +25(1) / -0 >40 (1024) ≤120 (3048) = +4 (102) / -0 >120 (3048) ≤300 (7620) = +4 (102) / -0 >300 (7620) = +5% / -0% ALL OTHER DIMENSIONAL TOLERANCES: X = ±.02 (5.08) XX = ±.01 (2.54) XXX = ±.005 (1.27)	APPROVALS	DATE
	DRAWN BY D.FRISIELLO	2/28/18
	CHECKED BY M.MARTINEZ	2/28/18
	APPROVED BY M.MARTINEZ	2/28/18
PROJECTION 	CONFIGURATION DETAILS OF UNDIMENSIONED FEATURES MAY VARY	COLOR VARIATIONS MAY OCCUR

<b>L-com</b> Global Connectivity		50 HIGH STREET NORTH ANDOVER, MA 01845	
CATEGORY LIGHTNING PROTECTOR			
PRODUCT DESCRIPTION DC BLOCK 698MHZ-2.7GHZ DIN			
SIZE <b>B</b>	PSCM NO. <b>43321</b>	DWG. NO. <b>LCSP1007</b>	REV. <b>A</b>
SCALE: 2:3		CAD FILE: LCSP1007.SLDDRW	
			SHEET 1 OF 1