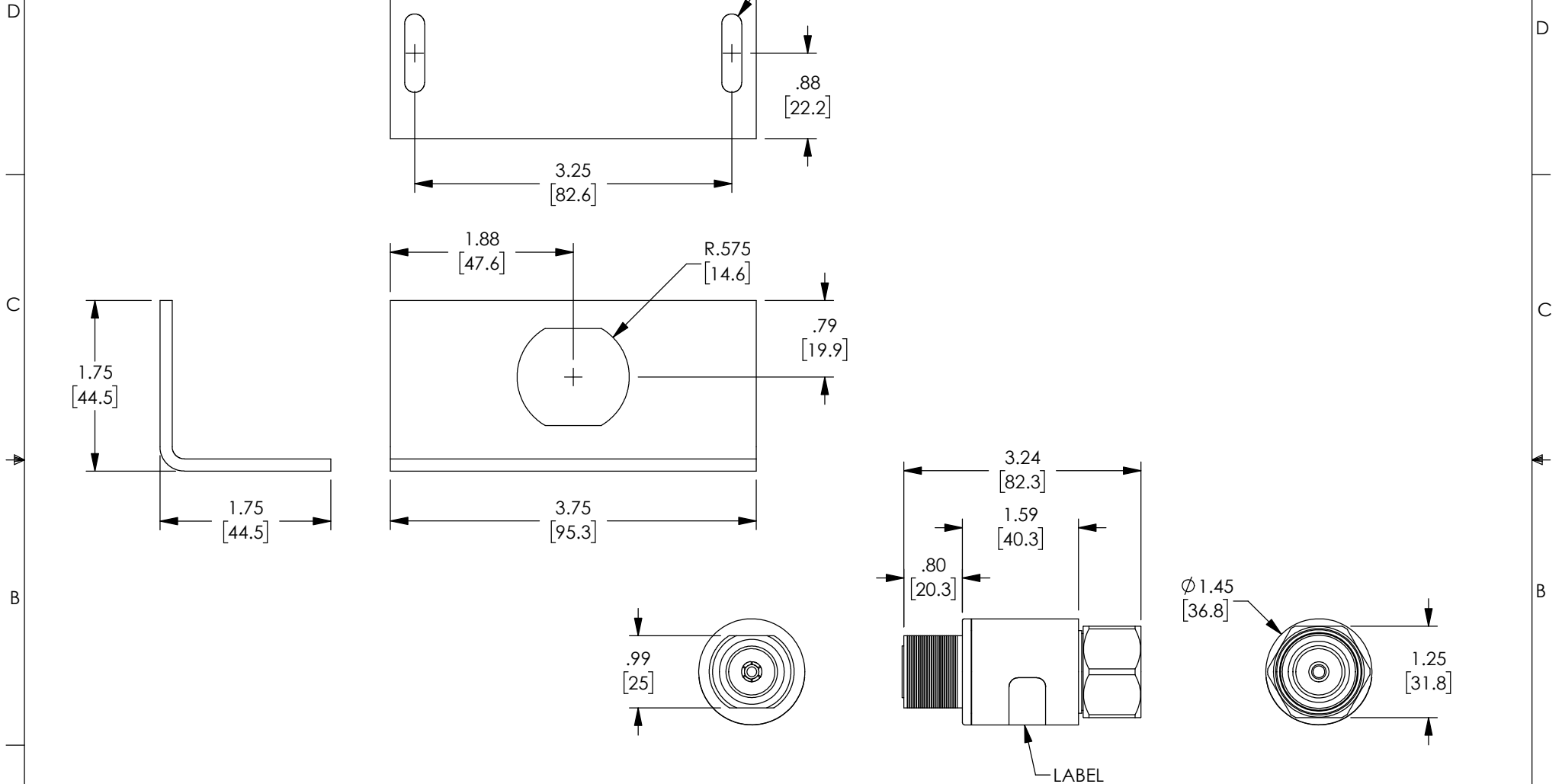


THE INFORMATION CONTAINED IN THIS DRAWING IS THE SOLE PROPERTY OF L-COM, INC. ANY REPRODUCTION IN PART OR WHOLE WITHOUT THE WRITTEN PERMISSION OF L-COM, INC. IS PROHIBITED.

REVISIONS			
REV	DESCRIPTION	DATE	APPROVED
A	INITIAL RELEASE	3/1/18	D.FRISIELLO



NOTES:

BRACKET AND HARDWARE INCLUDED.

COMPONENTS SHALL BE INDIVIDUALLY PACKAGED IN ACCORDANCE WITH L-COM SPECIFICATION PS-0031.

REGULATORY COMPLIANCE:
CE2011/65/EU(RoHS DIRECTIVE)

UNLESS OTHERWISE SPECIFIED, DIMENSIONS ARE IN INCHES [mm] OVERALL CABLE LENGTH TOLERANCE: ≤12 [305] = +1 [25] / -0 >12 [305] ≤60 [1524] = +2 [51] / -0 >60 [1524] ≤120 [3048] = +4 [102] / -0 >120 [3048] ≤300 [7620] = +6 [152] / -0 >300 [7620] = +3% / -0% ALL OTHER DIMENSIONAL TOLERANCES: .X = ± .2 [5.08] .XX = ± .02 [1.51] .XXX = ± .005 [1.13]	APPROVALS DRAWN BY D.FRISIELLO	DATE 3/1/18	50 HIGH STREET NORTH ANDOVER, MA 01845
	CHECKED BY M.MARTINEZ APPROVED BY M.MARTINEZ	DATE 3/1/18	
PROJECTION 	CONFIGURATION DETAILS OF UNDIMENSIONED FEATURES MAY VARY	PRODUCT DESCRIPTION BI-DIRECTIONAL BROADBAND DC SHORT FILTER DIN P2 W/BACKET	SIZE A
COLOR VARIATIONS MAY OCCUR	FSCM NO. 43321	DWG. NO. LCSP1008	REV. A
SCALE: NONE		CAD FILE: LCSP1008.SLDDRW	
			SHEET 1 OF 1