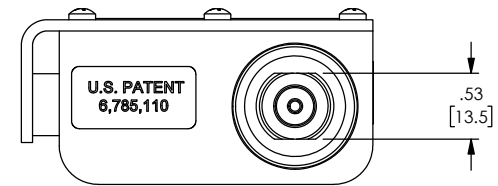
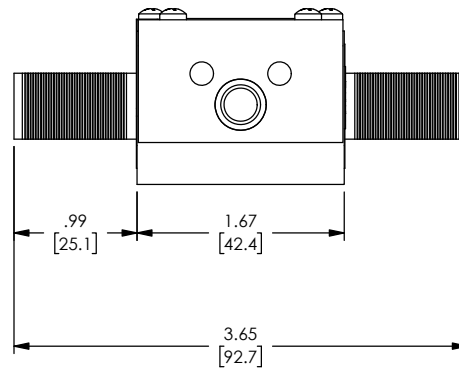
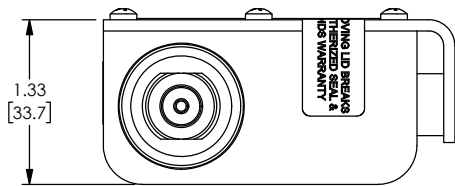
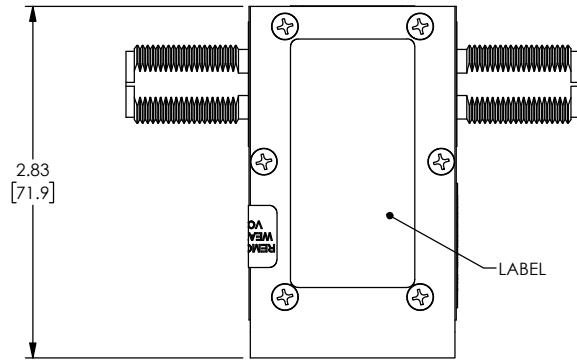


THE INFORMATION CONTAINED IN THIS DRAWING IS THE SOLE PROPERTY OF L-COM, INC. ANY REPRODUCTIONS IN PART OR WHOLE WITHOUT THE WRITTEN PERMISSION OF L-COM, INC. IS PROHIBITED.

REVISIONS			
REV	DESCRIPTION	DATE	CHANGED BY
A	INITIAL RELEASE	3/7/18	D.FRISIELLO



NOTES:

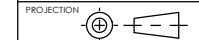
- HARDWARE INCLUDED.
- COMPONENT SHALL BE INDIVIDUALLY PACKAGED IN ACCORDANCE WITH L-COM SPECIFICATION PS-0031.

REGULATORY COMPLIANCE:
CE2011/65/EU(ROHS DIRECTIVE)

UNLESS OTHERWISE SPECIFIED,
DIMENSIONS ARE IN INCHES (mm)
OVERALL CABLE LENGTH TOLERANCE:
≤12 [305] ≤60 [1524] = +.010 / -0
>12 [305] ≤120 [3048] = +.012 / -0
>120 [3048] ≤300 [7620] = +.015 / -0
>300 [7620] = +.02 / -0
ALL OTHER DIMENSIONAL TOLERANCES:
X = ±2 [508]
XX = ±0.005 [127]
XXX = ±.005 [127]

APPROVALS	DATE
D.FRISIELLO	3/7/18
M.MARTINEZ	3/7/18
M.MARTINEZ	3/7/18

CONFIGURATION DETAILS OF UNDIMENSIONED FEATURES MAY VARY
COLOR VARIATIONS MAY OCCUR



CATEGORY
RF LIGHTNING PROTECTORS

PRODUCT DESCRIPTION
100-512MHz VHF COMB 750W

SIZE	FSCM NO.	DWG. NO.	REV.
B	43321	LCSP1033	A

SCALE: 1:1 CAD FILE: LCSP1033.SLDDRW SHEET 1 OF 1