

6

5

4

3

2

1

REVISION

| ZONE | REV | DESCRIPTION     | DATE       | CHANGED BY | APPROVED  |
|------|-----|-----------------|------------|------------|-----------|
|      | 1   | INITIAL RELEASE | 10/16/2024 | HBAKKE     | THOUGHTON |

F

F

E

E

D

D

C

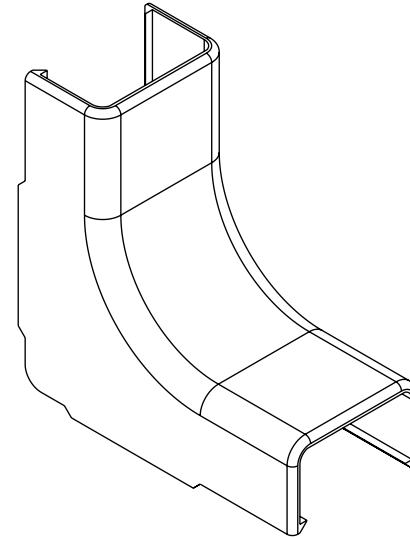
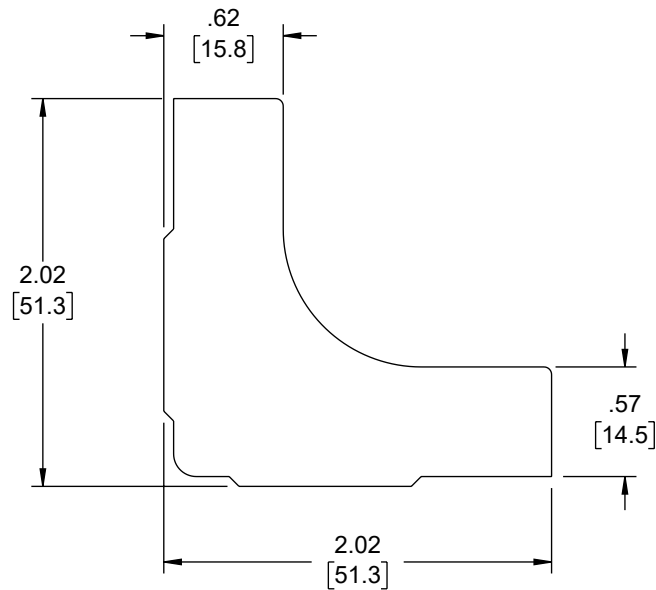
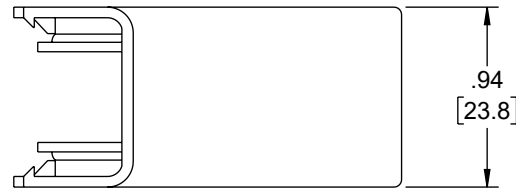
C

B

B

A

A



NOTES:

1. MATERIAL: PVC, UL94V-0 COMPLIANT
2. COLOR: BLACK
3. COMPONENT SHALL BE INDIVIDUALLY PACKAGED.

THE INFORMATION CONTAINED IN THIS DRAWING IS THE SOLE PROPERTY OF INFINITE ELECTRONICS, INC. ANY REPRODUCTION IN PART OR WHOLE WITHOUT THE WRITTEN PERMISSION OF INFINITE ELECTRONICS, INC. IS PROHIBITED. THESE COMMODITIES, TECHNOLOGY OR SOFTWARE WERE EXPORTED FROM THE UNITED STATES IN ACCORDANCE WITH THE EXPORT ADMINISTRATION REGULATIONS. DIVERSION CONTRARY TO U.S. LAW PROHIBITED.

UNLESS OTHERWISE SPECIFIED LEADING DIMENSIONS ARE INCHES DIMENSIONS IN [ ] ARE MILLIMETERS

TOLERANCES:  
 .X = ±.2 [5]      FRACTIONS ± 1/32  
 .XX = ±.02 [0.5]      ANGLES ± 1°  
 .XXX = ±.005 [0.13]

CABLE LENGTH TOLERANCES:  
 ≤12 [305] = +1 [25] / -0  
 >12 [305] ≤ 60 [1524] = +2 [51] / -0  
 >60 [1524] ≤ 120 [3048] = +4 [102] / -0  
 >120 [3048] ≤ 300 [7620] = +6 [152] / -0  
 >300 [7620] = +5% / -0

ALL DIMENSIONS ARE FOR REFERENCE ONLY AND SUBJECT TO CHANGE WITHOUT NOTICE. UN-DIMENSIONED/NON-CRITICAL FEATURES MAY VARY IN SIZE AND LOCATION. COLORS MAY VARY



Website: www.L-com.com  
 Phone: 1.800.341.5266 | 1.978.682.6936



INTERPRET ALL DIMENSIONS AND TOLERANCES PER ASME Y14.5

|       |        |
|-------|--------|
| SCALE | SHEET  |
| NONE  | 1 OF 1 |

DESCRIPTION  
 RACEWAY INSIDE CORNER, 14X21mm BLACK

| SIZE | CAGE CODE | DRAWN BY | ITEM NO.       | REV |
|------|-----------|----------|----------------|-----|
| A    | 43321     | HBAKKE   | LCSR14x21-IC-B | 1   |

6

5

4

3

2

1