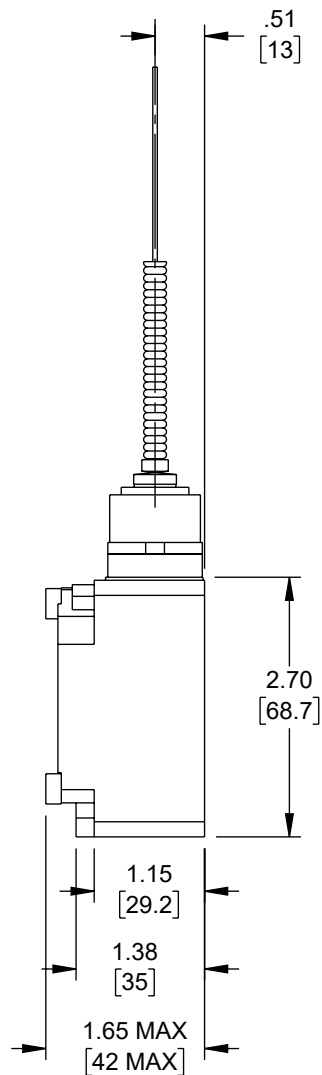
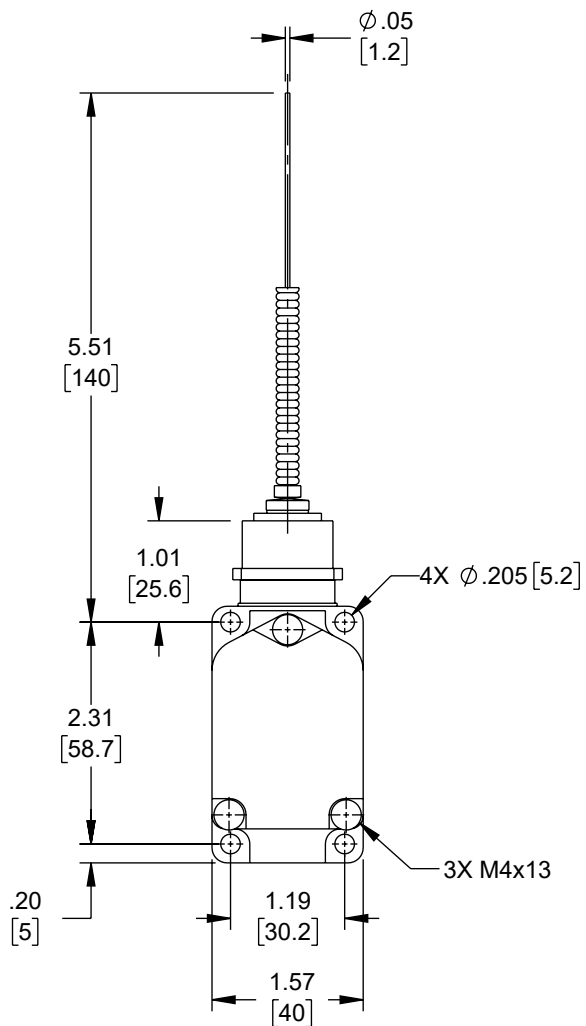


THE INFORMATION CONTAINED IN THIS DRAWING IS THE SOLE PROPERTY OF L-COM, INC. ANY REPRODUCTION IN PART OR WHOLE WITHOUT THE WRITTEN PERMISSION OF L-COM, INC. IS PROHIBITED.


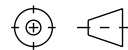
REVISION					
ZONE	REV	DESCRIPTION	DATE	CHANGED BY	APPROVED
	B	ECO-13182	10/31/2023	DMAY	THOUGHTON



**NOTES:**

- MATERIAL OUTER HOUSING: SOLID INTEGRAL CAST ALUMINUM ALLOY.
- IP65 PROTECTION GRADE.
- TEMPERATURE: -25°C ~ +80°C
- HUMIDITY: <95% RH
- INCLUDED: M20 x 1.5 CABLE GLAND.
- COMPONENT SHALL BE INDIVIDUALLY PACKAGED IN ACCORDANCE WITH L-COM SPECIFICATION PS-0031.

**REGULATORY COMPLIANCE:**  
EU RoHS DIRECTIVE (MOST RECENT RELEASED VERSION)

UNLESS OTHERWISE SPECIFIED, DIMENSIONS ARE IN INCHES [mm] OVERALL CABLE LENGTH TOLERANCE: ≤12 [305] = +1 [25] / -0 >12 [305] ≤60 [1524] = +2 [51] / -0 >60 [1524] ≤120 [3048] = +4 [102] / -0 >120 [3048] ≤300 [7620] = +6 [152] / -0 >300 [7620] = +5% / -0 ALL OTHER DIMENSIONAL TOLERANCES: .X = ± .2 [5]   FRACTIONS ± 1/32 .XX = ± .02 [5]   ANGLES ± 1° .XXX = ± .005 [1.3]	APPROVALS	DATE	 50 High Street, West Mill, North Andover, MA 01845 USA. Phone: 1.800.341.5266 1.978.682.6936
	DRAWN BY DMAY CHECKED BY HBAKKE APPROVED BY MBALEKDJIAN	08/31/2023 09/11/2023 09/11/2023	
THIRD-ANGLE PROJECTION 	CONFIGURATION DETAILS OF UNDIMENSIONED FEATURES MAY VARY COLOR VARIATIONS MAY OCCUR	PRODUCT DESCRIPTION DUAL CIRCUIT VERTICAL LIMIT SWITCH WITH WOBBLE STICK - COIL SPRING WITH 1.2mm DIAMETER WHISKER TIP, 1NO + 1NC CONTACT SIZE <b>A</b>   CAGE CODE <b>43321</b>   ITEM NO. <b>LIMSW-5169</b>   REV. <b>B</b>	SCALE: NONE   CAD FILE: LIMSW-5169.SLDDRW   SHEET 1 OF 1