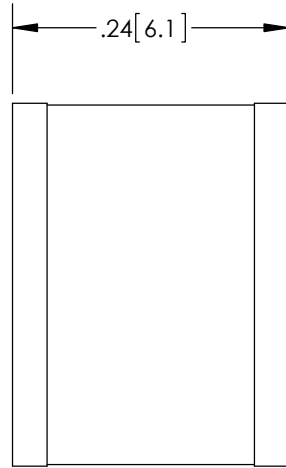
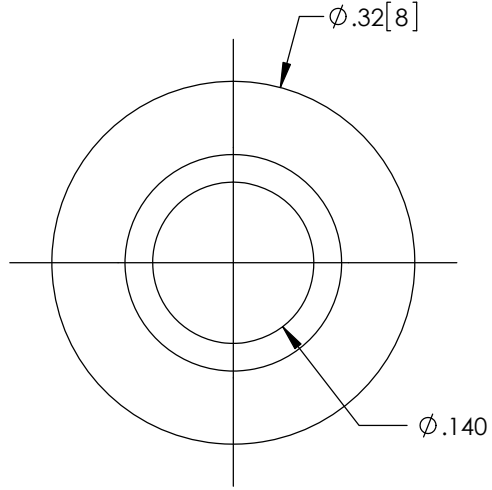


THE INFORMATION CONTAINED IN THIS DRAWING IS THE SOLE PROPERTY OF L-COM, INC. ANY REPRODUCTION IN PART OR WHOLE WITHOUT THE WRITTEN PERMISSION OF L-COM, INC. IS PROHIBITED.

| REVISIONS | | | |
|-----------|-----------------|---------|-----------|
| REV | DESCRIPTION | DATE | APPROVED |
| A | INITIAL RELEASE | 8/29/12 | D.GRIFFIN |
| | | | |
| | | | |



NOTES:

ALL DIMENSIONS FOR REFERENCE ONLY.

COMPONENT SHALL BE INDIVIDUALLY PACKAGED IN ACCORDANCE WITH L-COM SPECIFICATION PS-0031.

REGULATORY COMPLIANCE:
CE2011/65/EU (RoHS DIRECTIVE)

| | | | | | | | |
|--------------------------------------------------------------------------------------------------------------------------------------------------------------------------------------------------------------------------------------------------------------------------------------------------------------------|----------------------------------------------------------------|-------------------------------|---------------------------------------------------------------------------------------------------------------------------------------------------------------------|----------------------------------|--------------------------|---------------------------|------------------|
| UNLESS OTHERWISE SPECIFIED, DIMENSIONS ARE IN INCHES [mm] OVERALL CABLE LENGTH TOLERANCE: $\leq 12 [305] = +1 [25] / -0$ $> 12 [305] \leq 60 [1524] = +2 [51] / -0$ $> 60 [1524] \leq 120 [3048] = +4 [102] / -0$ $> 120 [3048] \leq 300 [7620] = +6 [152] / -0$ $> 300 [7620] = +5\% / -0\%$ | APPROVALS B.PUCHASKI | DATE 08/28/12 |  50 HIGH STREET NORTH ANDOVER, MA 01845 | | | | |
| | CHECKED BY A.McCHESNEY | DATE 08/28/12 | | CATEGORY LIGHTNING PROTECTORS | | | |
| ALL OTHER DIMENSIONAL TOLERANCES: $.X = \pm .2 [5.08]$ $.XX = \pm .02 [1.51]$ $.XXX = \pm .005 [1.13]$ | APPROVED BY P.PESA | DATE 08/28/12 | PRODUCT DESCRIPTION AL SERIES GAS TUBE 230V | | | | |
| PROJECTION  | CONFIGURATION DETAILS OF UNDIMENSIONED FEATURES MAY VARY | COLOR VARIATIONS MAY OCCUR | <table border="1"> <tr> <td>SIZE A</td> <td>FSCM NO. 43321</td> <td>DWG. NO. LPX230</td> <td>REV. A</td> </tr> </table> | SIZE A | FSCM NO. 43321 | DWG. NO. LPX230 | REV. A |
| SIZE A | FSCM NO. 43321 | DWG. NO. LPX230 | REV. A | | | | |
| SCALE: NONE | | CAD FILE: LPX230.SLDDRW | | | | | |
| | | | SHEET 1 OF 1 | | | | |