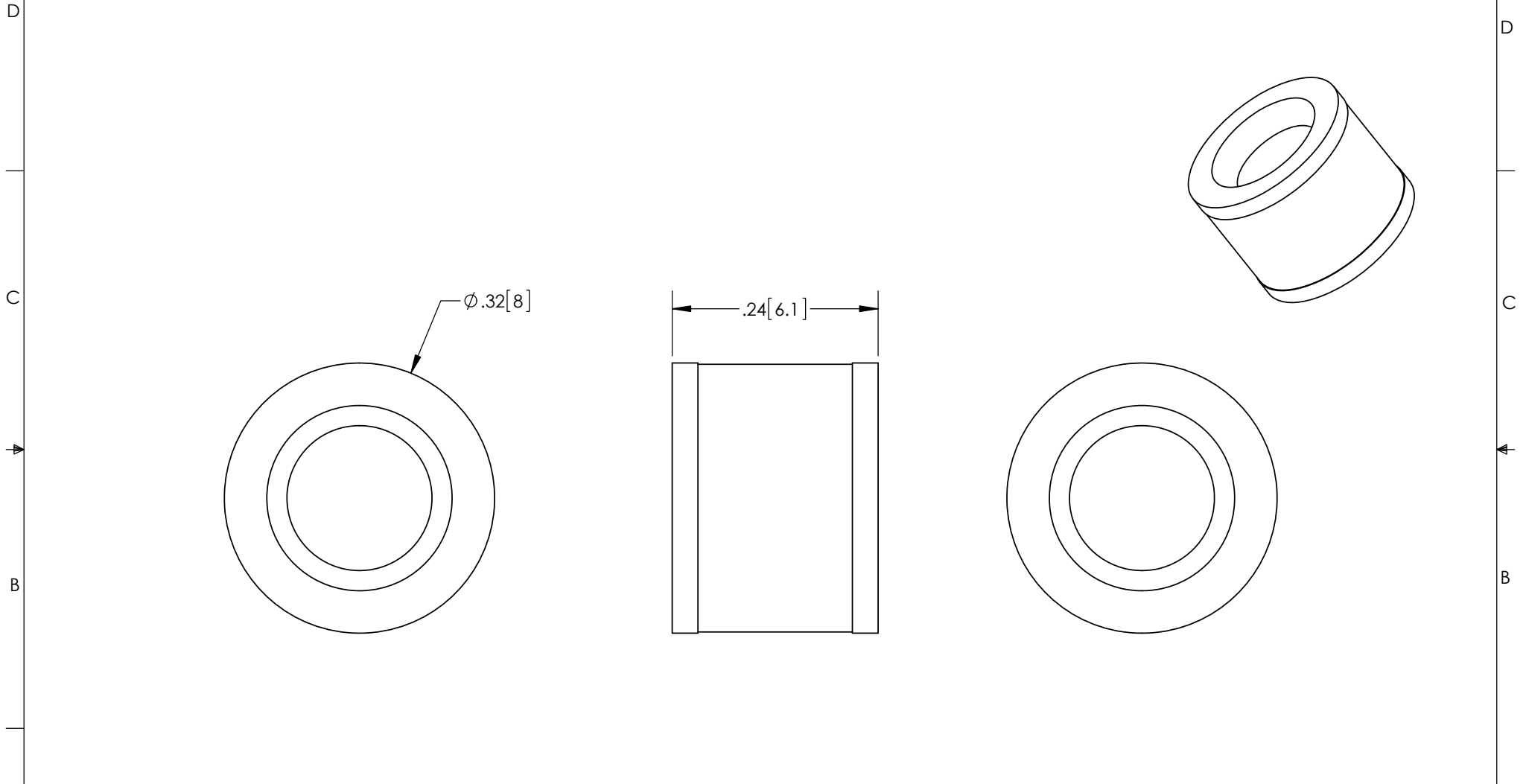


THE INFORMATION CONTAINED IN THIS DRAWING IS THE SOLE PROPERTY OF L-COM, INC. ANY REPRODUCTION IN PART OR WHOLE WITHOUT THE WRITTEN PERMISSION OF L-COM, INC. IS PROHIBITED.

REVISIONS			
REV	DESCRIPTION	DATE	APPROVED
A	INITIAL RELEASE	03/18/16	D.FRISIELLO



**NOTES:**

**PACKAGING:**  
 COMPONENT SHALL BE PACKAGED IN ACCORDANCE WITH L-COM SPECIFICATION PKG-00012

- ALL DIMENSIONS FOR REFERENCE -

**REGULATORY COMPLIANCE:**  
 CE2011/65/EU (ROHS DIRECTIVE)

UNLESS OTHERWISE SPECIFIED, DIMENSIONS ARE IN INCHES [mm] OVERALL CABLE LENGTH TOLERANCE: ≤12 [305] = +1 [25] / -0 >12 [305] ≤60 [1524] = +2 [51] / -0 >60 [1524] ≤120 [3048] = +4 [102] / -0 >120 [3048] ≤300 [7620] = +6 [152] / -0 >300 [7620] = +5% / -0% ALL OTHER DIMENSIONAL TOLERANCES: .X = ± .2 [5.08] .XX = ± .02 [5.1] .XXX = ±.005 [1.3]	APPROVALS	DATE	45 BEECHWOOD DRIVE NORTH ANDOVER, MA 01845		
	DRAWN BY B.PUCHASKI	03/18/16			
CHECKED BY K.BURGNIER APPROVED BY P.PESA	03/18/16	03/18/16	CATEGORY <b>LIGHTNING PROTECTORS</b>		
	03/18/16	03/18/16			
CONFIGURATION DETAILS OF UNDIMENSIONED FEATURES MAY VARY	PRODUCT DESCRIPTION REPLACEMENT 350V GAS TUBE FOR 0 - 3GHz LIGHTNING PROTECTORS				
PROJECTION 	COLOR VARIATIONS MAY OCCUR	SIZE <b>A</b>	FSCM NO. <b>43321</b>	DWG. NO. <b>LPX350</b>	REV. <b>A</b>
SCALE: NONE		CAD FILE: LPX350.SLDDRW		SHEET 1 OF 1	