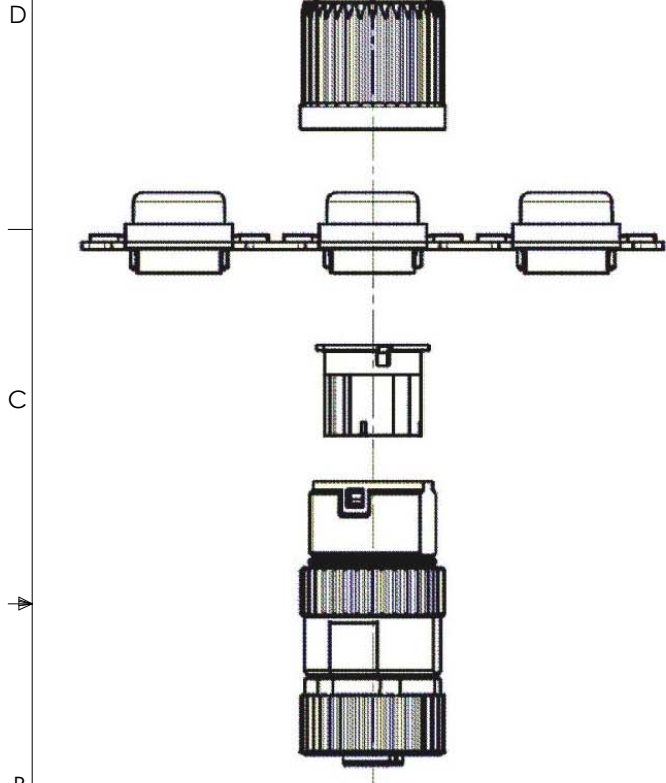
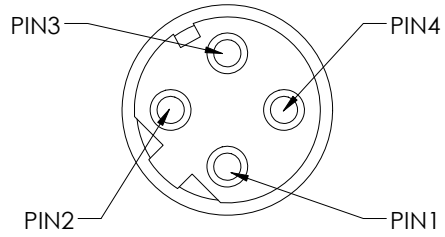
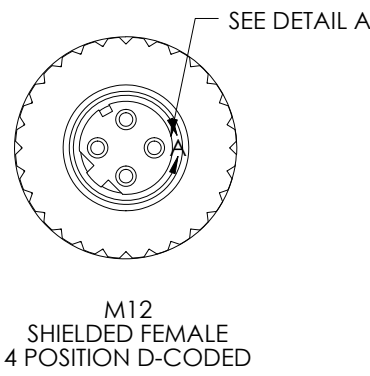
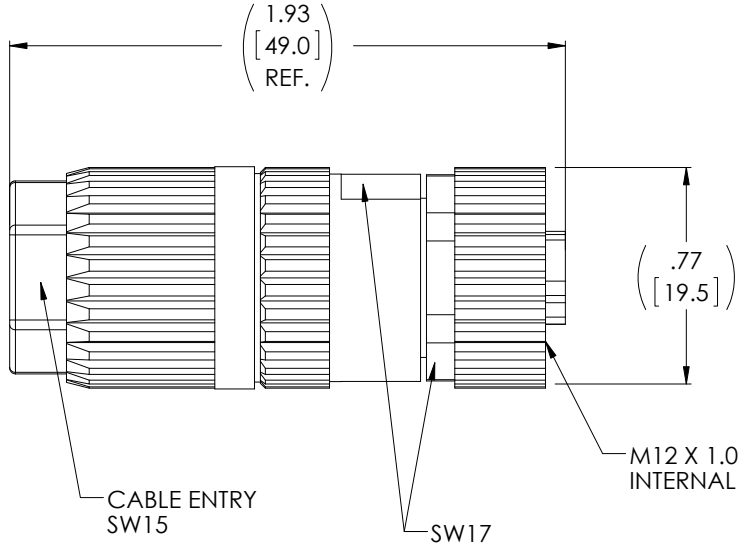


THE INFORMATION CONTAINED IN THIS DRAWING IS THE SOLE PROPERTY OF L-COM, INC. ANY REPRODUCTION IN PART OR WHOLE WITHOUT THE WRITTEN PERMISSION OF L-COM, INC. IS PROHIBITED.

REVISIONS			
REV	DESCRIPTION	DATE	APPROVED
A	INITIAL RELEASE PER DUSTIN GUTTADAURO	03/28/17	J.LABOY

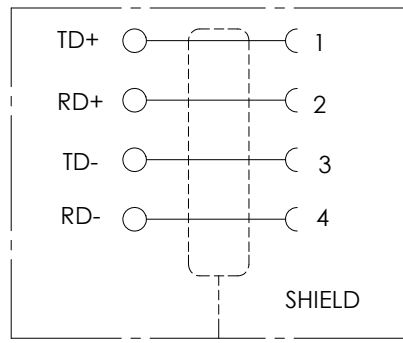


EXPLODED VIEW



DETAIL A

CONNECTOR PIN ASSIGNMENT (ACC. IEC 61076-2-101)



M12 FEMALE WIRING DIAGRAM

NOTES:

- MECHANICAL DATA:**
- HOUSING: M12 FEMALE, 4 POLE, D CODE, SHIELDED
 - CABLE CONNECTION: IDC
 - CONDUCTOR CROSS SECTION: 0.14 - 0.34 MM² (AWG 26 - 22)
 - ISOLATION MATERIALS: PVC/PE/PP
 - WIRE DIAMETER: 1.2MM - 2.0MM
 - CABLE OUTSIDE DIAMETER: 4.5MM - 8.8MM
 - PROTECTION: IP65 / IP67 (WHEN MATED AND TIGHTENED (EN 60529)
 - TEMP. RANGE: -40 TO +85°C
 - LOCKING MATERIAL: ZINC DIE CASTING, MATTE NICKEL PLATED

- MISCELLANEOUS:**
- NOMINAL VOLTAGE: MAX 50 V AC/DC
 - RATED CURRENT: MAX 4A PER CONTACT
 - CATEGORY: CATEGORY 5E (IEC 11801)
 - SHIPS UNASSEMBLED

REGULATORY COMPLIANCE:
CE2011/65/EU(ROHS DIRECTIVE)

UNLESS OTHERWISE SPECIFIED, DIMENSIONS ARE IN INCHES [mm] OVERALL CABLE LENGTH TOLERANCE: ≤12 [305] = +1 [25] / -0 >12 [305] ≤60 [1524] = +2 [51] / -0 >60 [1524] ≤120 [3048] = +4 [102] / -0 >120 [3048] ≤300 [7620] = +6 [152] / -0 >300 [7620] = +5% / -0% ALL OTHER DIMENSIONAL TOLERANCES: .X = ± .2 [5.08] .XX = ± .02 [1.51] .XXX = ±.005 [1.3]	APPROVALS DRAWN BY D.CUI CHECKED BY B.ZHANG APPROVED BY S.PAN	DATE 03/14/17 03/14/17 03/14/17	50 HIGH STREET NORTH ANDOVER, MA 01845	
	CONFIGURATION DETAILS OF UNDIMENSIONED FEATURES MAY VARY			CATEGORY TELECOM/MODULAR
	PROJECTION 	COLOR VARIATIONS MAY OCCUR	SIZE A	FSCM NO. 43321
	DWG. NO. M12FT4DFS		SCALE: NONE	CAD FILE: M12FT4DFS.SLDDRW
SHEET 1 OF 1				