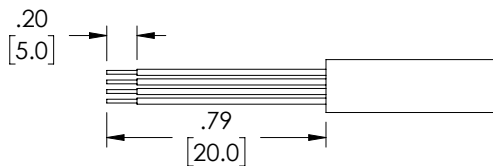
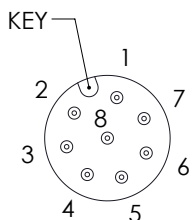


THE INFORMATION CONTAINED IN THIS DRAWING IS THE SOLE PROPERTY OF L-COM, INC. ANY REPRODUCTION IN PART OR WHOLE WITHOUT THE WRITTEN PERMISSION OF L-COM, INC. IS PROHIBITED.

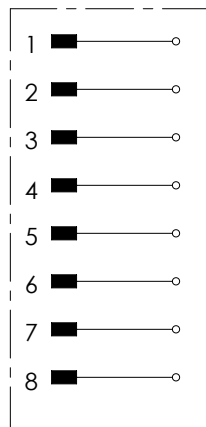
REVISIONS			
REV	DESCRIPTION	DATE	APPROVED
A	REV A DRAWING RELEASED	04/22/2019	DGUTTADAUR



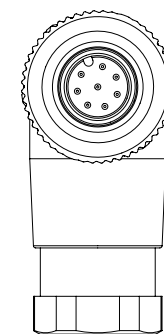
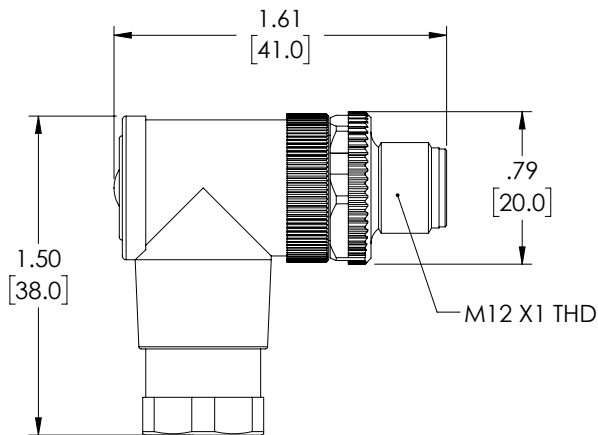
RECOMMENDED WIRE STRIPPING TYP.



DETAIL A
OUTSIDE VIEW
M12 8 PIN
MALE
A-CODE



WIRING DIAGRAM



M12 8 PIN MALE
A-CODE
SEE DETAIL A

NOTES:

MECHANICAL DATA:

1. CABLE OUTSIDE DIAMETER: 6MM - 8MM (.24" - .31")
2. CONDUCTOR RANGE: 0.25-0.5MM² (24-20AWG)
3. CABLE CONNECTION: SCREW TERMINAL
4. TEMP. RANGE: -40°C TO +85°C
5. PROTECTION: IP67 WHEN MATED AND TIGHTENED
6. RECOMMENDED TORQUE 0.6NM
7. HOUSING MATERIAL: PLASTIC WITH RESISTANCE TO CHEMICALS AND OILS

MISCELLANEOUS:

1. OPERATING VOLTAGE: 30 V AC/DC MAX.
2. OPERATING CURRENT PER CONTACT: 2 A MAX.
3. SHIPS UNASSEMBLED
4. DIMENSIONS FOR REFERENCE ONLY

UNLESS OTHERWISE SPECIFIED, DIMENSIONS ARE IN INCHES [mm] OVERALL CABLE LENGTH TOLERANCE: ≤12 [305] = +1 [25] / -0 >12 [305] ≤60 [1524] = +2 [51] / -0 >60 [1524] ≤120 [3048] = +4 [102] / -0 >120 [3048] ≤300 [7620] = +6 [152] / -0 >300 [7620] = +5% / -0%	APPROVALS	DATE			50 HIGH STREET NORTH ANDOVER, MA 01845	
	DRAWN BY DCUI	04/10/2019			CATEGORY TELECOM/MODULAR	
ALL OTHER DIMENSIONAL TOLERANCES: .X = ± .2 [5.08] .XX = ± .02 [51] .XXX = ±.005 [1.27]	CHECKED BY SPAN	04/10/2019	PRODUCT DESCRIPTION M12 8A-M FIELD TERM UNSHD 90°		SIZE A	FSCM NO. 43321
	APPROVED BY DGUTTADAUR	04/10/2019	DWG. NO. M12FT8AM90			
PROJECTION 	CONFIGURATION DETAILS OF UNDIMENSIONED FEATURES MAY VARY		SCALE: NONE		CAD FILE: M12FT8AM90.SLDDRW	
COLOR VARIATIONS MAY OCCUR		SHEET 1 OF 1				