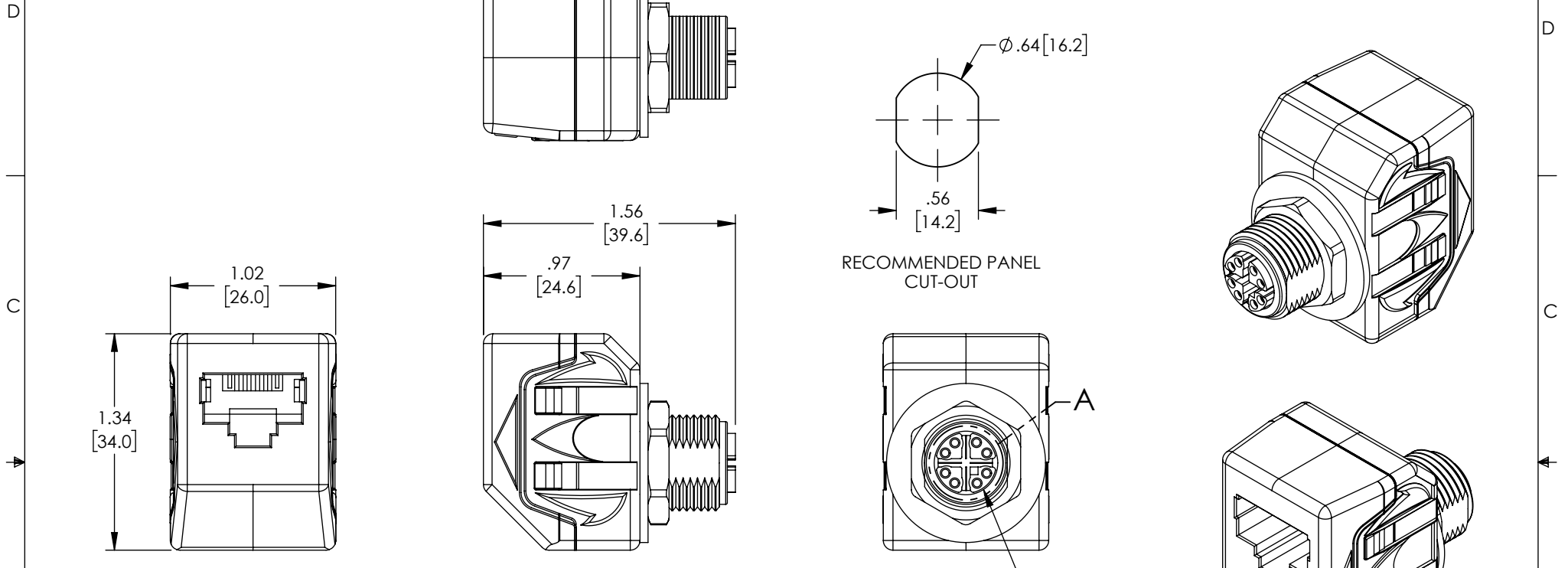


THE INFORMATION CONTAINED IN THIS DRAWING IS THE SOLE PROPERTY OF L-COM, INC. ANY REPRODUCTION IN PART OR WHOLE WITHOUT THE WRITTEN PERMISSION OF L-COM, INC. IS PROHIBITED.

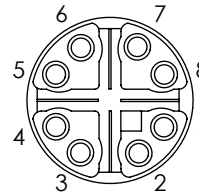
REVISIONS			
REV	DESCRIPTION	DATE	APPROVED
A	INITIAL RELEASE	9/9/2022	DGUITADAURO


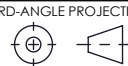


NOTES:
MATERIAL:
 BRACKET: NICKEL SILVER ALLOY.
 ADAPTER HOUSING: ZINC ALLOY, NICKEL PLATED.
 CONTACT HOLDER: PC, UL94V-0.
ENVIRONMENTAL:
 OPERATING TEMPERATURE RANGE: -10°C TO 60°C.
 STORAGE TEMPERATURE RANGE: -40°C TO 68°C.
 HUMIDITY: 10% TO 90% RH (NON-CONDENSING).
ELECTRICAL:
 INSULATION RESISTANCE: 100 MΩ MIN.
 DC CURRENT RATING: 1.5 AMPS.
 RJ45 INPUT TO OUTPUT D.C. RESISTANCE: 100 mΩ MAX.
 CONTACT RESISTANCE: 15 mΩ MAX.
MISCELLANEOUS:
 ONLY ACCEPT RJ-45 8P8C PLUG.
 COMPONENT SHALL BE INDIVIDUALLY PACKAGED IN ACCORDANCE WITH L-COM SPECIFICATION PS-0031.

Pin Connection M12 X-Code							
T2	R2	T3	R1	T1	R3	T4	R4
1	2	3	8	7	4	5	6
W/OR	OR	W/GN	BL	W/BL	GN	W/BR	BR
1	2	3	4	5	6	7	8
RJ45 T568B							

DETAIL A
MATING FACE



UNLESS OTHERWISE SPECIFIED, DIMENSIONS ARE IN INCHES [mm] OVERALL CABLE LENGTH TOLERANCE: ≤12 [305] = +1 [25] / -0 >12 [305] ≤60 [1524] = +2 [51] / -0 >60 [1524] ≤120 [3048] = +4 [102] / -0 >120 [3048] ≤300 [7620] = +6 [152] / -0 >300 [7620] = +5% / -0 ALL OTHER DIMENSIONAL TOLERANCES: .X = ±.2 [5] FRACTIONS ± 1/32 .XX = ±.02 [.5] ANGLES ±1° .XXX = ±.005 [.13]	APPROVALS	DATE	 50 High Street, West Mill, North Andover, MA 01845 USA. Phone: 1.800.341.5266 1.978.682.6936	
	DRAWN BY DMAY	9/9/2022		CATEGORY TELECOM / MODULAR
	CHECKED BY HBAKKE	9/12/2022		
	APPROVED BY DGUITADAURO	9/12/2022		
THIRD-ANGLE PROJECTION	CONFIGURATION DETAILS OF UNDIMENSIONED FEATURES MAY VARY	PRODUCT DESCRIPTION M12 X-CODE JACK TO RJ45 JACK, MOUNTABLE	SCALE: NONE CAD FILE: M12XFP-RJ45F.SLDDRW SHEET 1 OF 1	
	COLOR VARIATIONS MAY OCCUR	SIZE A CAGE CODE 43321 ITEM NO. M12XFP-RJ45F	REV. A	

REGULATORY COMPLIANCE:
 EU RoHS DIRECTIVE (MOST RECENT RELEASED VERSION)