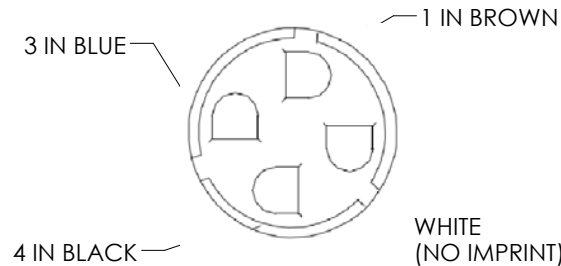
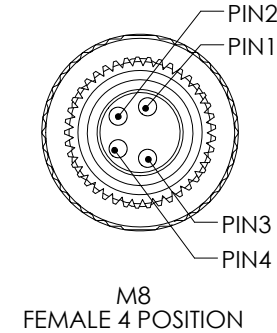
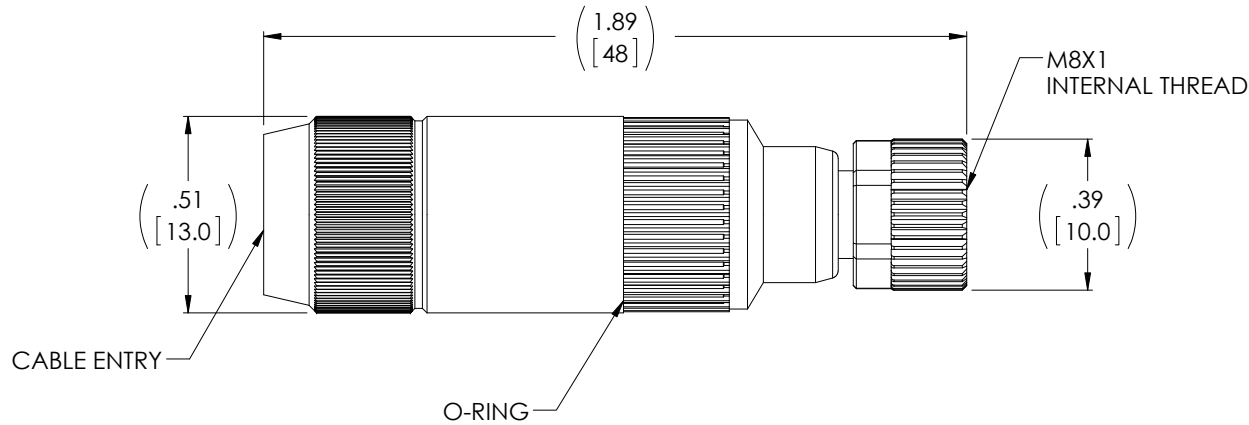
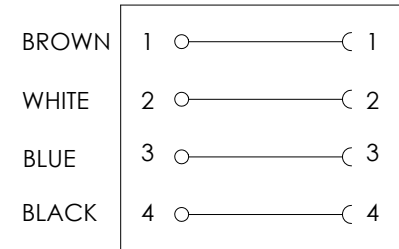


THE INFORMATION CONTAINED IN THIS DRAWING IS THE SOLE PROPERTY OF L-COM, INC. ANY REPRODUCTION IN PART OR WHOLE WITHOUT THE WRITTEN PERMISSION OF L-COM, INC. IS PROHIBITED.

REVISIONS			
REV	DESCRIPTION	DATE	APPROVED
A	INITIAL RELEASE PER DUSTIN GUITTADAURO	03/31/17	J.LABOY



WIRING DIAGRAM



SPlicing RING M8 FEMALE

NOTES:

MECHANICAL DATA

- HOUSING: M8 FEMALE, 4 POLE
- SCREW MATERIAL: ZINC PRESSURE DIE CASTING, SURFACE NI 4-6
- CONDUCTOR CROSS SECTION: 23 AWG-20 AWG [0.25MM² - 0.5MM²]
- ISOLATION MATERIALS: PVC/PP/TPE
- WIRE DIAMETER: .047 [1.20MM] - .063 [1.60MM]
- CABLE OUTSIDE DIAMETER: .157 [4.0MM] - .201 [5.1MM]
- PROTECTION: IP67 (WHEN MATED AND TIGHTENED, EN60529)
- TEMP RANGE: -25°C TO +85°C

MISCELLANEOUS

- NOMINAL VOLTAGE: MAX 32V AC/DC
- RATED CURRENT: MAX 4A PER CONTACT
- ISOLATION RESISTANCE: CATEGORY III ACCORDING TO IEC 60664-1
- SHIPS UNASSEMBLED

REGULATORY COMPLIANCE:

CE 2011/65/EU (ROHS DIRECTIVE)

INSULATION DISPLACEMENT SPlicing RING

UNLESS OTHERWISE SPECIFIED, DIMENSIONS ARE IN INCHES [mm] OVERALL CABLE LENGTH TOLERANCE: ≤12 [305] = +1 [25] / -0 >12 [305] ≤60 [1524] = +2 [51] / -0 >60 [1524] ≤120 [3048] = +4 [102] / -0 >120 [3048] ≤300 [7620] = +6 [152] / -0 >300 [7620] = +5% / -0% ALL OTHER DIMENSIONAL TOLERANCES: .X = ± .2 [5.08] .XX = ± .02 [51] .XXX = ± .005 [1.3]	APPROVALS D.CUI CHECKED BY B.ZHANG APPROVED BY S.PAN	DATE 03/28/17 03/28/17 03/28/17			50 HIGH STREET NORTH ANDOVER, MA 01845
	CONFIGURATION DETAILS OF UNDIMENSIONED FEATURES MAY VARY		CATEGORY TELECOM/MODULAR		
	PROJECTION 		PRODUCT DESCRIPTION M8 , FEMALE , STRAIGHT 4-POLE		
	COLOR VARIATIONS MAY OCCUR	SIZE A	FSCM NO. 43321	DWG. NO. M8FT4F	REV. A