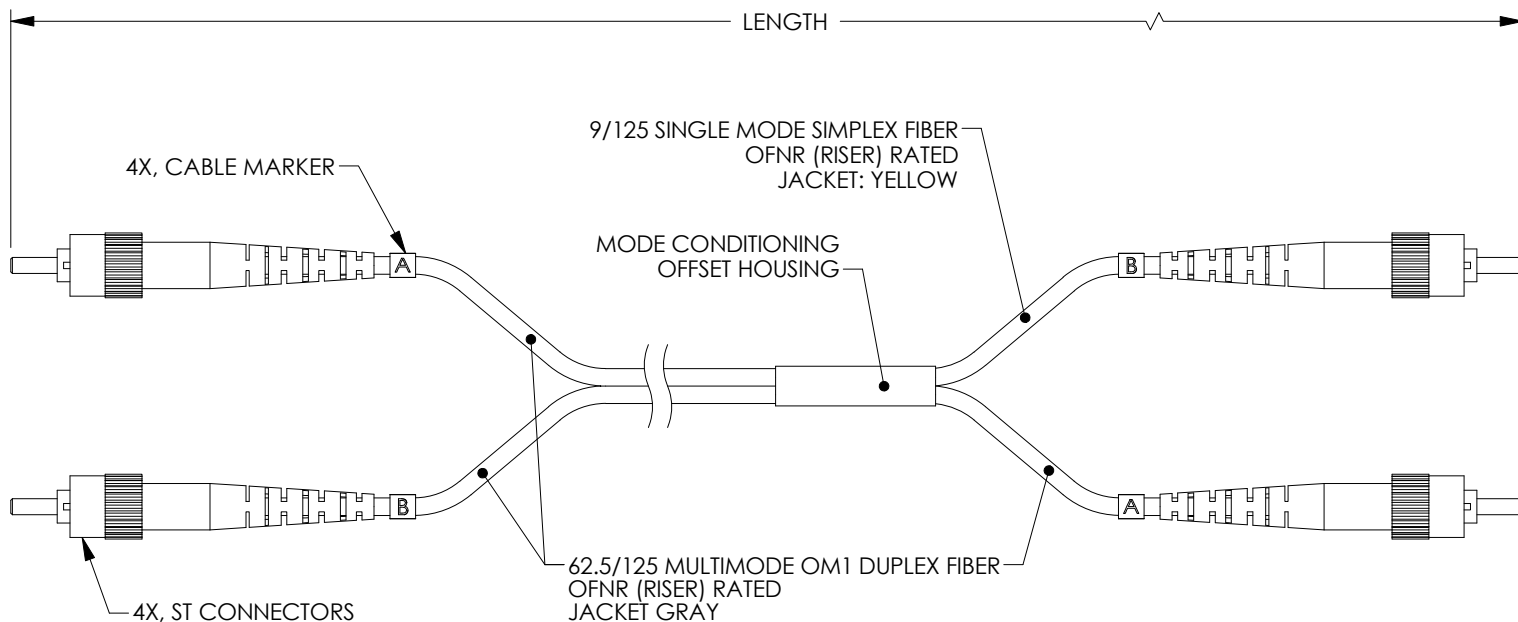


THE INFORMATION CONTAINED IN THIS DRAWING IS THE SOLE PROPERTY OF L-COM, INC. ANY REPRODUCTION IN PART OR WHOLE WITHOUT THE WRITTEN PERMISSION OF L-COM, INC. IS PROHIBITED.

REVISIONS			
REV	DESCRIPTION	DATE	APPROVED
A	DRAWING REPLACES MCST-ST-01-OD1	10/20/14	D.FRISIELLO



MODEL NUMBER	LENGTH	
	METERS	FEET
MCST-ST-01	1.0	3.28
MCST-ST-02	2.0	6.56
MCST-ST-03	3.0	9.84
MCST-ST-04	4.0	13.12
MCST-ST-05	5.0	16.41

NOTES:

1. ST CONNECTOR ASSEMBLY POLISH TYPE: PC.
2. ALL CONNECTORS ACCOMPANIED WITH A DUST CAP INSTALLED (NOT SHOWN).
3. CABLE ASSEMBLY SHALL BE INDIVIDUALLY PACKAGED IN ACCORDANCE WITH L-COM SPECIFICATION PS-0031.

REGULATORY COMPLIANCE:
CE2011/65/EU(RoHS DIRECTIVE)

UNLESS OTHERWISE SPECIFIED, DIMENSIONS ARE IN INCHES [mm] OVERALL CABLE LENGTH TOLERANCE: ≤12 [305] = +1 [25] / -0 >12 [305] ≤60 [1524] = +2 [51] / -0 >60 [1524] ≤120 [3048] = +4 [102] / -0 >120 [3048] ≤300 [7620] = +6 [152] / -0 >300 [7620] = +5% / -0%	APPROVALS	DATE		45 BEECHWOOD DRIVE NORTH ANDOVER, MA 01845
	DRAWN BY MCCORMICK	04/08/02		CATEGORY FIBER OPTICS
ALL OTHER DIMENSIONAL TOLERANCES: .X = ± .2 [5.08] .XX = ± .02 [1.51] .XXX = ± .005 [1.13]	CHECKED BY D.PARHAM	04/08/02	PRODUCT DESCRIPTION DUAL ST-ST MODE CNDITIONING	
PROJECTION 	APPROVED BY R.CARRICK	04/08/02	CONFIGURATION DETAILS OF UNDIMENSIONED FEATURES MAY VARY	
	COLOR VARIATIONS MAY OCCUR		SIZE A	FSCM NO. 43321
			DWG. NO. MCST-ST	REV. A
			SCALE: NONE	CAD FILE: MCST-ST.SLDDRW
				SHEET 1 OF 1