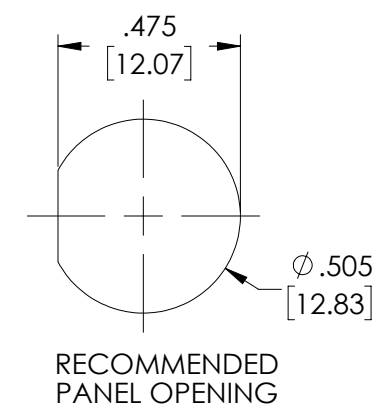
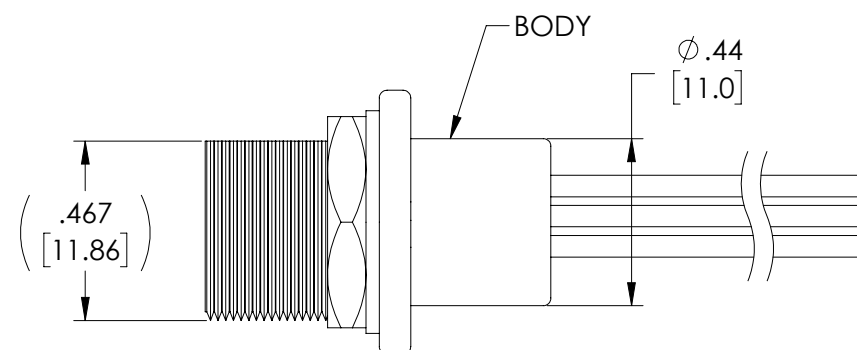
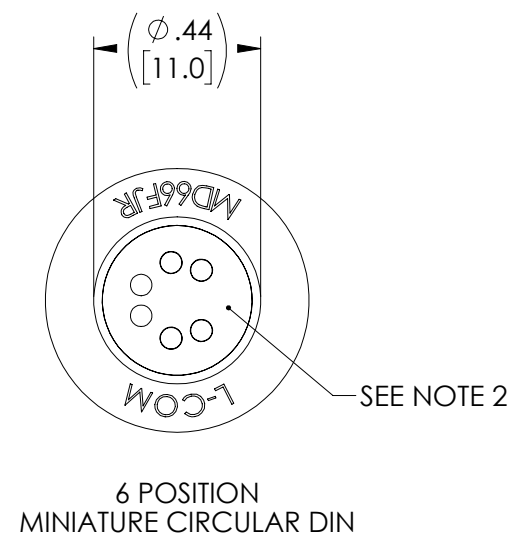
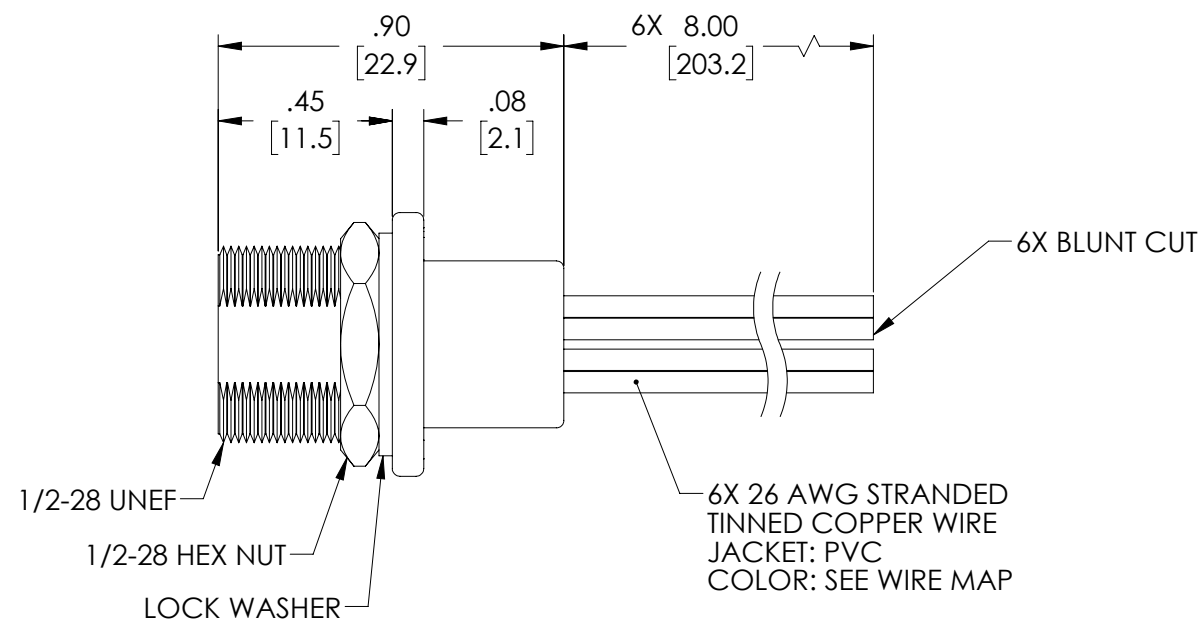
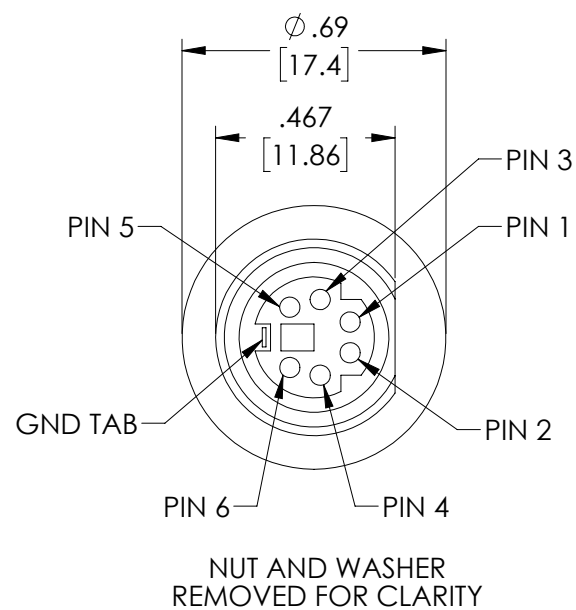


THE INFORMATION CONTAINED IN THIS DRAWING IS THE SOLE PROPERTY OF L-COM, INC. ANY REPRODUCTIONS IN PART OR WHOLE WITHOUT THE WRITTEN PERMISSION OF L-COM, INC. IS PROHIBITED.

REVISIONS			
REV	DESCRIPTION	DATE	APPROVED BY
A	DRAWING REPLACES MD66FJR-OD1	06/24/2014	DDESJARDIN
B	ECN 9926: REMOVED PIN MARKING, REMOVED ROHS STATEMENT	06/26/2019	BGATES



WIRE MAP	
PIN NUMBER	WIRE COLOR
PIN 1	BLACK
PIN 2	WHITE
PIN 3	RED
PIN 4	GREEN
PIN 5	BROWN
PIN 6	BLUE

NOTES:

1. FINISH OF EXTERNAL METAL PARTS NICKEL PLATED.
2. REAR OF HOUSING IS POTTED. MATERIAL: SILICONE RESIN CONFORMAL COATING. COLOR: BLACK.
3. CABLE ASSEMBLY SHALL BE TESTED FOR CONTINUITY.
4. CABLE ASSEMBLY SHALL BE INDIVIDUALLY PACKAGED IN ACCORDANCE WITH L-COM SPECIFICATION PS-0031.

UNLESS OTHERWISE SPECIFIED, DIMENSIONS ARE IN INCHES [mm]
 OVERALL CABLE LENGTH TOLERANCE:
 ≤12 [305] = +1 [25] / -0
 >12 [305] ≤60 [1524] = +2[51] / -0
 >60 [1524] ≤120 [3048] = +4 [102] / -0
 >120 [3048] ≤300 [7620] = +6 [152] / -0
 >300 [7620] = +5% / -0%
 ALL OTHER DIMENSIONAL TOLERANCES:
 .X = ±.2 [5.08]
 .XX = ±.02 [5.1]
 .XXX = ±.005 [1.3]

APPROVALS	DATE
DZINN	06/26/2019
DFRISIELLO	06/26/2019
BGATES	06/26/2019

L-com Global Connectivity
 50 HIGH STREET
 NORTH ANDOVER, MA
 01845

CATEGORY		I/O PRODUCTS	
PRODUCT DESCRIPTION			
ADPT, MD6F/LEADS BLKHD R MNT			
SIZE	FSCM NO.	DWG. NO.	REV.
B	43321	MD66FJR	B
SCALE: 2:1		CAD FILE: MD66FJR.SLDDRW	SHEET 1 OF 1

