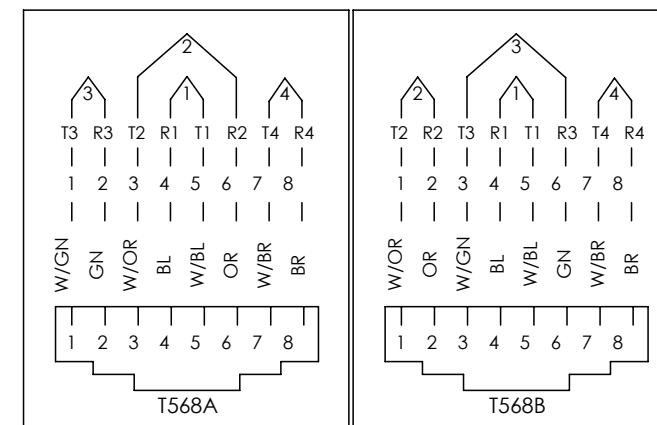
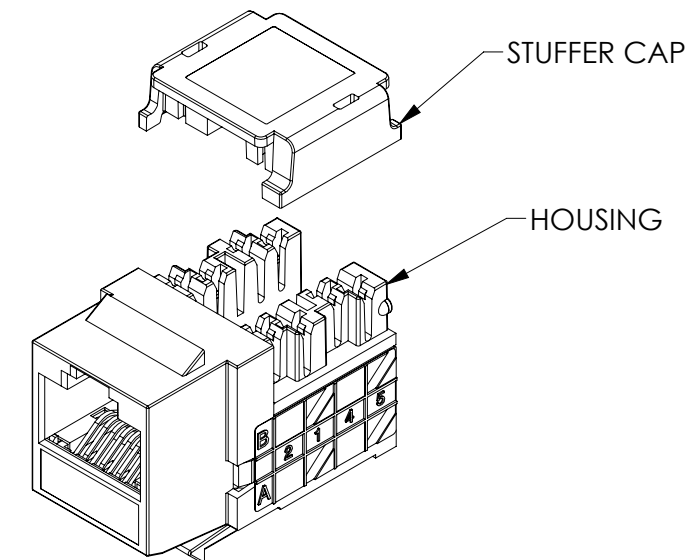
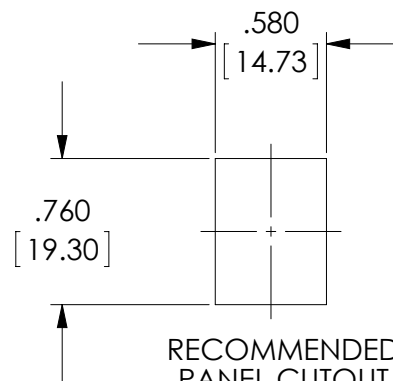
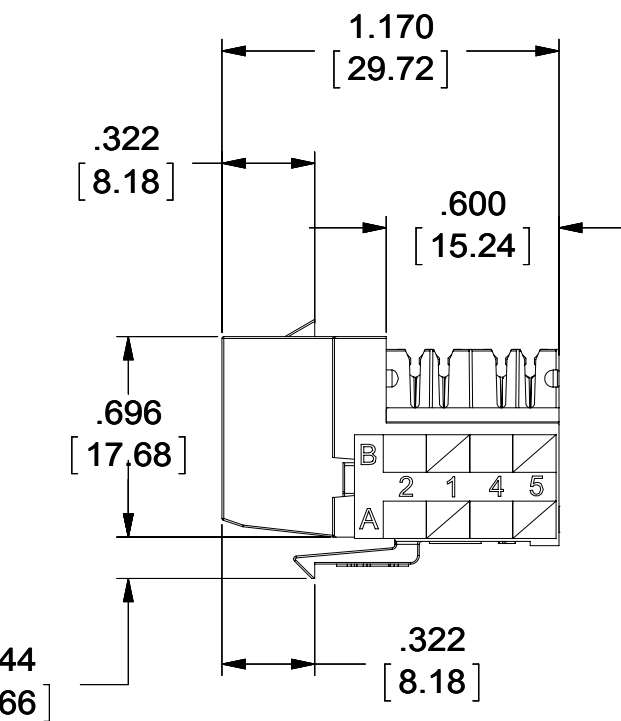
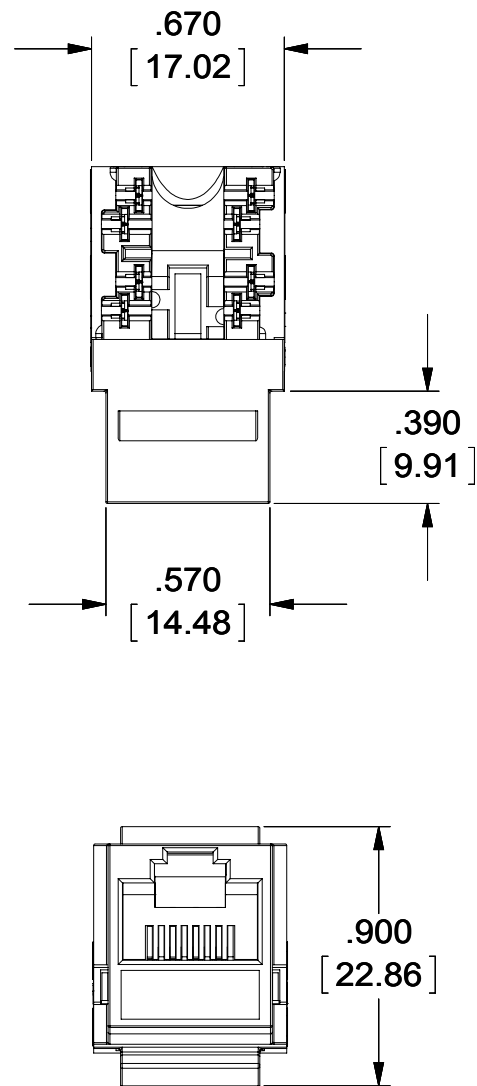


THE INFORMATION CONTAINED IN THIS DRAWING IS THE SOLE PROPERTY OF L-COM, INC. ANY REPRODUCTIONS IN PART OR WHOLE WITHOUT THE WRITTEN PERMISSION OF L-COM, INC. IS PROHIBITED.

REVISIONS			
REV	DESCRIPTION	DATE	CHANGED BY
A	INITIAL RELEASE	9/24/13	D.GRIFFIN

MODEL NUMBER	COLOR
MK110C5E-BLK	BLACK
MK110C5E-GRY	GRAY
MK110C5E-W	OFFICE WHITE
MK110C5E-BLU	BLUE
MK110C5E-IV	IVORY
MK110C5E-Y	YELLOW
MK110C5E-BW	BRIGHT WHITE
MK110C5E-ORN	ORANGE
MK110C5E-GRN	GREEN
MK110C5E-RED	RED



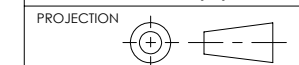
**NOTES:**

SPECIFICATIONS:  
 APPLICATION: 110 IDC CONNECTOR, CATEGORY 5e  
 MATERIAL: THERMOPLASTIC HOUSING, FLAME RETARDANT UL94V-0.  
 CONDUCTOR RANGE: 22-26 SOLID  
 MAX. INSULATION:  $\phi$ .045"  
 UL LISTED  
 CSA LISTED

ALL DIMENSIONS ARE FOR REFERENCE ONLY.

COMPONENT SHALL BE INDIVIDUALLY PACKAGED IN ACCORDANCE WITH L-COM SPECIFICATION PS-0031.

UNLESS OTHERWISE SPECIFIED, DIMENSIONS ARE IN INCHES [mm]  
 OVERALL CABLE LENGTH TOLERANCE:  
 $\leq 12$  [305] = +1 [25] / -0  
 $> 12$  [305]  $\leq 60$  [1524] = +2 [51] / -0  
 $> 60$  [1524]  $\leq 120$  [3048] = +4 [102] / -0  
 $> 120$  [3048]  $\leq 300$  [7620] = +6 [152] / -0  
 $> 300$  [7620] = +5% / -0%  
 ALL OTHER DIMENSIONAL TOLERANCES:  
 .X =  $\pm 2$  [5.08]  
 .XX =  $\pm 0.2$  [5.1]  
 .XXX =  $\pm 0.005$  [1.3]



APPROVALS	DATE
DRAWN BY D.FRISIELLO	9/20/13
CHECKED BY D.GUITADAURO	9/20/13
APPROVED BY D.GALLAGHER	9/20/13



CATEGORY TELECOM/MODULAR			
PRODUCT DESCRIPTION KS 110-RJ45 JACK CAT5e			
SIZE <b>B</b>	FSCM NO. <b>43321</b>	DWG. NO. MK110C5E	REV. <b>A</b>
SCALE: 1:1		CAD FILE: MK110C5E.SLDRW	
			SHEET 1 OF 1