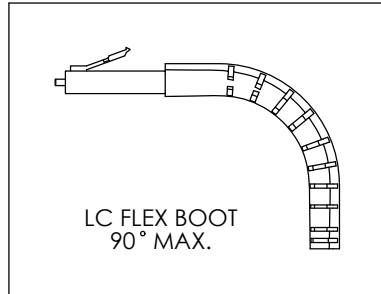
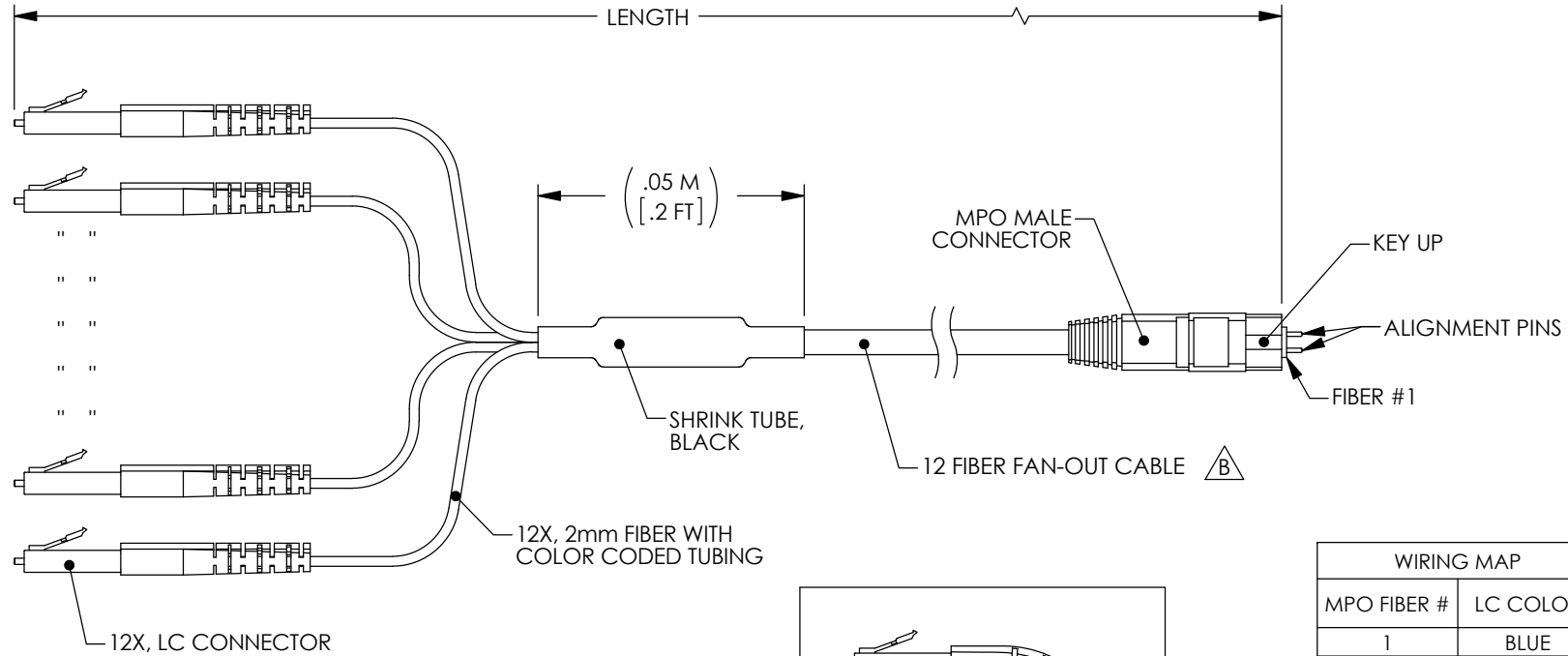


THE INFORMATION CONTAINED IN THIS DRAWING IS THE SOLE PROPERTY OF L-COM, INC. ANY REPRODUCTION IN PART OR WHOLE WITHOUT THE WRITTEN PERMISSION OF L-COM, INC. IS PROHIBITED.

REVISIONS			
REV	DESCRIPTION	DATE	APPROVED
A	INITIAL RELEASE	7/25/13	D.GRIFFIN
B	ECN 7107: ADDED JACKET TYPE TO CHART. CHANGED OM4 TO LSZH. UPD ROHS	10/17/13	D.FRISIELLO



WIRING MAP	
MPO FIBER #	LC COLOR
1	BLUE
2	ORANGE
3	GREEN
4	BROWN
5	GRAY
6	WHITE
7	RED
8	BLACK
9	YELLOW
10	PURPLE
11	ROSE
12	AQUA

**NOTES:**

- SEE SHEET 2 FOR PART NUMBERS, FIBER MODES, JACKET TYPES, COLORS, AND LENGTHS.
- MPO CONNECTOR MULTIMODE ASSEMBLY POLISH TYPE: UPC.  
MPO CONNECTOR SINGLE MODE ASSEMBLY POLISH TYPE: APC.  
LC CONNECTOR ASSEMBLY POLISH TYPE: PC.
- ALL CONNECTORS ACCOMPANIED WITH A DUST CAP INSTALLED (NOT SHOWN).
- CABLE ASSEMBLY SHALL BE TESTED FOR CONTINUITY.
- CABLE ASSEMBLY SHALL BE INDIVIDUALLY PACKAGED IN ACCORDANCE WITH L-COM PACKAGING SPECIFICATION PS-0031.


**REGULATORY COMPLIANCE:**  
CE2011/65/EU (RoHS DIRECTIVE)

UNLESS OTHERWISE SPECIFIED, DIMENSIONS ARE IN INCHES [mm] OVERALL CABLE LENGTH TOLERANCE: ≤12 [305] = +1 [25] / -0 >12 [305] ≤60 [1524] = +2 [51] / -0 >60 [1524] ≤120 [3048] = +4 [102] / -0 >120 [3048] ≤300 [7620] = +6 [152] / -0 >300 [7620] = +5% / -0% ALL OTHER DIMENSIONAL TOLERANCES: .X = ±.2 [5.08] .XX = ±.02 [51] .XXX = ±.005 [1.27]	APPROVALS	DATE		45 BEECHWOOD DRIVE NORTH ANDOVER, MA 01845	
	DRAWN BY D.FRISIELLO	7/19/13			
PROJECTION 	CHECKED BY D.DESJARDIN	7/19/13	CATEGORY <b>FIBER OPTICS</b>		
	APPROVED BY D.GALLAGHER	7/19/13	PRODUCT DESCRIPTION <b>12 RIB MPO-M/FLC</b>		
CONFIGURATION DETAILS OF UNDIMENSIONED FEATURES MAY VARY		SIZE <b>A</b>	FSCM NO. <b>43321</b>	DWG. NO. <b>MPM12S-FLC</b>	REV. <b>B</b>
COLOR VARIATIONS MAY OCCUR		SCALE: NONE	CAD FILE: MPM12S-FLC.SLDDRW		SHEET 1 OF 2

THE INFORMATION CONTAINED IN THIS DRAWING IS THE SOLE PROPERTY OF L-COM, INC. ANY REPRODUCTION IN PART OR WHOLE WITHOUT THE WRITTEN PERMISSION OF L-COM, INC. IS PROHIBITED.



PART NUMBER	FIBER MODE	JACKET TYPE	COLOR	METERS [FEET]
MPM12OM1-FLC-05	62.5/125 MULTIMODE OM1	OFNR (RISER) RATED	ORANGE	0.5 [1.64]
MPM12OM1-FLC-1	62.5/125 MULTIMODE OM1	OFNR (RISER) RATED	ORANGE	1.0 [3.28]
MPM12OM1-FLC-5	62.5/125 MULTIMODE OM1	OFNR (RISER) RATED	ORANGE	5.0 [16.40]
MPM12OM1-FLC-10	62.5/125 MULTIMODE OM1	OFNR (RISER) RATED	ORANGE	10.0 [32.81]
MPM12OM2-FLC-05	50/125 MULTIMODE OM2	OFNR (RISER) RATED	ORANGE	0.5 [1.64]
MPM12OM2-FLC-1	50/125 MULTIMODE OM2	OFNR (RISER) RATED	ORANGE	1.0 [3.28]
MPM12OM2-FLC-5	50/125 MULTIMODE OM2	OFNR (RISER) RATED	ORANGE	5.0 [16.40]
MPM12OM2-FLC-10	50/125 MULTIMODE OM2	OFNR (RISER) RATED	ORANGE	10.0 [32.81]
MPM12OM3-FLC-05	50/125 MULTIMODE OM3	OFNR (RISER) RATED	AQUA	0.5 [1.64]
MPM12OM3-FLC-1	50/125 MULTIMODE OM3	OFNR (RISER) RATED	AQUA	1.0 [3.28]
MPM12OM3-FLC-5	50/125 MULTIMODE OM3	OFNR (RISER) RATED	AQUA	5.0 [16.40]
MPM12OM3-FLC-10	50/125 MULTIMODE OM3	OFNR (RISER) RATED	AQUA	10.0 [32.81]
MPM12OM4-FLC-05	50/125 MULTIMODE OM4	LOW SMOKE ZERO HALOGEN	AQUA	0.5 [1.64]
MPM12OM4-FLC-1	50/125 MULTIMODE OM4	LOW SMOKE ZERO HALOGEN	AQUA	1.0 [3.28]
MPM12OM4-FLC-5	50/125 MULTIMODE OM4	LOW SMOKE ZERO HALOGEN	AQUA	5.0 [16.40]
MPM12OM4-FLC-10	50/125 MULTIMODE OM4	LOW SMOKE ZERO HALOGEN	AQUA	10.0 [32.81]
MPM12S-FLC-05	9/125 SINGLE MODE OS1	OFNR (RISER) RATED	YELLOW	0.5 [1.64]
MPM12S-FLC-1	9/125 SINGLE MODE OS1	OFNR (RISER) RATED	YELLOW	1.0 [3.28]
MPM12S-FLC-5	9/125 SINGLE MODE OS1	OFNR (RISER) RATED	YELLOW	5.0 [16.40]
MPM12S-FLC-10	9/125 SINGLE MODE OS1	OFNR (RISER) RATED	YELLOW	10.0 [32.81]

		45 BEECHWOOD DRIVE NORTH ANDOVER, MA 01845	
CATEGORY: FIBER OPTICS			
PRODUCT DESCRIPTION: 12 RIB MPO-M/ FLC			
SIZE: <b>A</b>	FSCM NO.: <b>43321</b>	DWG. NO.: <b>MPM12S-FLC</b>	REV.: <b>B</b>
SCALE: NONE		CAD FILE: MPM12S-FLC.SLDDRW	
			SHEET 2 OF 2