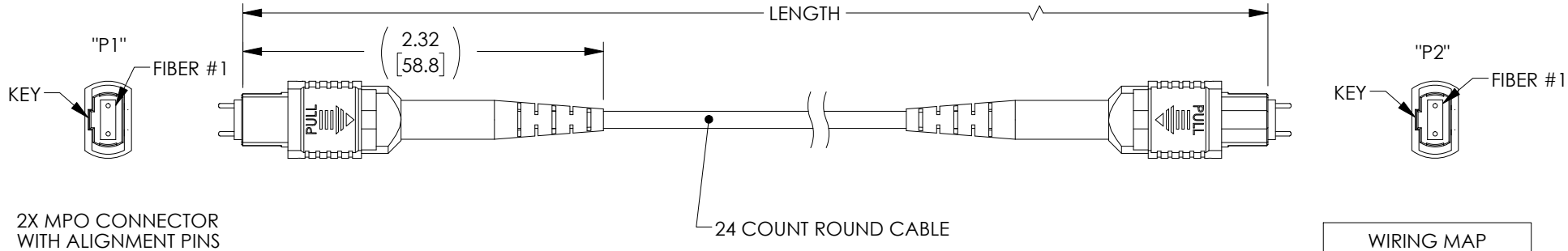


THE INFORMATION CONTAINED IN THIS DRAWING IS THE SOLE PROPERTY OF L-COM, INC. ANY REPRODUCTION IN PART OR WHOLE WITHOUT THE WRITTEN PERMISSION OF L-COM, INC. IS PROHIBITED.

| REVISIONS | | | |
|-----------|-----------------|---------|-------------|
| REV | DESCRIPTION | DATE | APPROVED |
| A | INITIAL RELEASE | 3/27/18 | D.FRISIELLO |
| | | | |
| | | | |


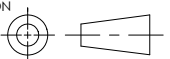


| WIRING MAP | | |
|------------|--------------------|------|
| "P1" | CABLE BUFFER COLOR | "P2" |
| 1 | BLUE | 13 |
| 2 | ORANGE | 14 |
| 3 | GREEN | 15 |
| 4 | BROWN | 16 |
| 5 | GRAY | 17 |
| 6 | WHITE | 18 |
| 7 | RED | 19 |
| 8 | BLACK | 20 |
| 9 | YELLOW | 21 |
| 10 | VIOLET | 22 |
| 11 | ROSE | 23 |
| 12 | AQUA | 24 |
| 13 | BLUE | 1 |
| 14 | ORANGE | 2 |
| 15 | GREEN | 3 |
| 16 | BROWN | 4 |
| 17 | GRAY | 5 |
| 18 | WHITE | 6 |
| 19 | RED | 7 |
| 20 | BLACK | 8 |
| 21 | YELLOW | 9 |
| 22 | VIOLET | 10 |
| 23 | ROSE | 11 |
| 24 | AQUA | 12 |

| PART NUMBER | FIBER MODE | JACKET TYPE | COLOR | METERS [FEET] |
|--------------|--------------------------------------|------------------------|-------|---------------|
| MPMM24OM3-1 | 50/125 MULTIMODE OM3 LASER OPTIMIZED | LOW SMOKE ZERO HALOGEN | AQUA | 1.0 [3.28] |
| MPMM24OM3-3 | | | | 3.0 [9.84] |
| MPMM24OM3-5 | | | | 5.0 [16.41] |
| MPMM24OM3-10 | | | | 10.0 [32.81] |
| MPMM24OM4-1 | 50/125 MULTIMODE OM4 LASER OPTIMIZED | LOW SMOKE ZERO HALOGEN | AQUA | 1.0 [3.28] |
| MPMM24OM4-3 | | | | 3.0 [9.84] |
| MPMM24OM4-5 | | | | 5.0 [16.41] |
| MPMM24OM4-10 | | | | 10.0 [32.81] |

- NOTES:**
- MPO MULTIMODE CONNECTORS POLISH TYPE: UPC.
 - ALL CONNECTORS ACCOMPANIED WITH A DUST CAP INSTALLED (NOT SHOWN).
 - CABLES SHALL BE INDIVIDUALLY PACKAGED IN ACCORDANCE WITH L-COM SPECIFICATION PS-0031.

REGULATORY COMPLIANCE:
CE2011/65/EU(RoHS DIRECTIVE)

| | | | |
|---|--|---|---|
| UNLESS OTHERWISE SPECIFIED, DIMENSIONS ARE IN INCHES [mm] OVERALL CABLE LENGTH TOLERANCE: ≤12 [305] = +1 [25] / -0 >12 [305] ≤60 [1524] = +2 [51] / -0 >60 [1524] ≤120 [3048] = +4 [102] / -0 >120 [3048] ≤300 [7620] = +6 [152] / -0 >300 [7620] = +5% / -0% | APPROVALS | DATE |  50 HIGH STREET NORTH ANDOVER, MA 01845 |
| | DRAWN BY G.HUAN | 03/15/18 | |
| ALL OTHER DIMENSIONAL TOLERANCES: .X = ± .2 [5.08] .XX = ± .02 [1.51] .XXX = ± .005 [1.13] | CHECKED BY D.FRISIELLO | 3/23/18 | CATEGORY FIBER OPTICS |
| | APPROVED BY D.DUTTADAURO | 3/27/18 | |
| PROJECTION  | CONFIGURATION DETAILS OF UNDIMENSIONED FEATURES MAY VARY | PRODUCT DESCRIPTION 24 Fiber MPM-MPM LSZH AQU | |
| COLOR VARIATIONS MAY OCCUR | SIZE A | FSCM NO. 43321 | DWG. NO. MPMM24 |
| SCALE: NONE | | CAD FILE: MPMM24.SLDDRW | REV. A |
| SHEET 1 OF 1 | | | |