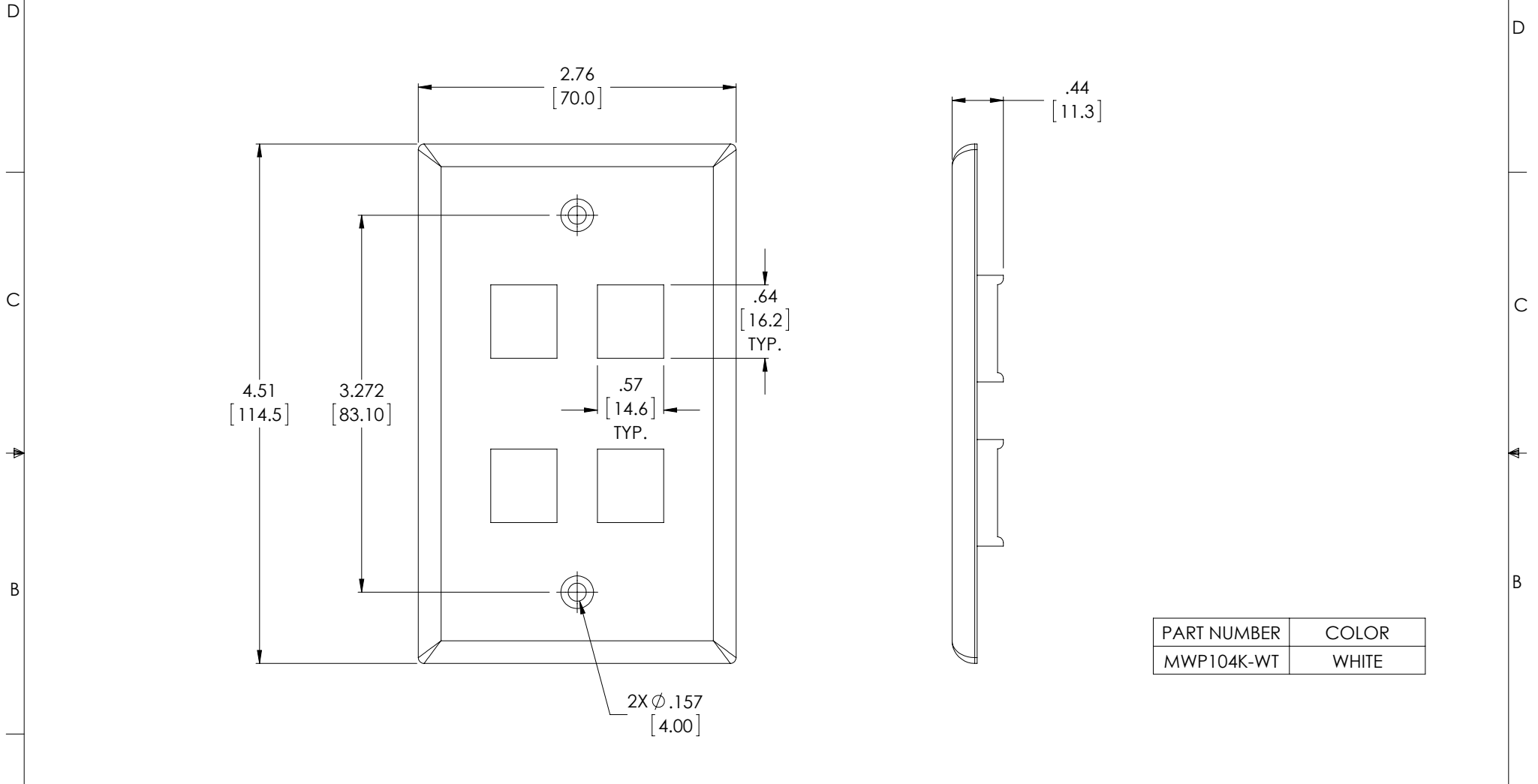


THE INFORMATION CONTAINED IN THIS DRAWING IS THE SOLE PROPERTY OF L-COM, INC. ANY REPRODUCTION IN PART OR WHOLE WITHOUT THE WRITTEN PERMISSION OF L-COM, INC. IS PROHIBITED.

REVISIONS			
REV	DESCRIPTION	DATE	APPROVED
A	INITIAL RELEASE	9/6/13	D.GRIFFIN



PART NUMBER	COLOR
MWP104K-WT	WHITE

- NOTES:**
1. MATERIAL: ABS PLASTIC, COLOR: SEE TABLE.
  2. WALL PLATE ACCEPTS FOUR KEYSTONE JACKS.
  3. WALL PLATE SUPPLIED WITH TWO MOUNTING SCREWS.
  4. WALL PLATE SHALL BE INDIVIDUALLY PACKAGED IN ACCORDANCE WITH L-COM SPECIFICATION PS-0031.
  5. ALL DIMENSIONS ARE FOR REFERENCE ONLY.

**REGULATORY COMPLIANCE:**  
ROHS, CE

UNLESS OTHERWISE SPECIFIED, DIMENSIONS ARE IN INCHES [mm] OVERALL CABLE LENGTH TOLERANCE: ≤12 [305] = +1 [25] / -0 >12 [305] ≤60 [1524] = +2 [51] / -0 >60 [1524] ≤120 [3048] = +4 [102] / -0 >120 [3048] ≤300 [7620] = +6 [152] / -0 >300 [7620] = +5% / -0% ALL OTHER DIMENSIONAL TOLERANCES: .X = ± .2 [5.08] .XX = ± .02 [5.1] .XXX = ± .005 [1.3]	APPROVALS DRAWN BY D. DESJARDIN CHECKED BY D. PARHAM APPROVED BY D. GALLAGHER	DATE 9/4/13 9/4/13 9/5/13	45 BEECHWOOD DRIVE NORTH ANDOVER, MA 01845
	CONFIGURATION DETAILS OF UNDIMENSIONED FEATURES MAY VARY COLOR VARIATIONS MAY OCCUR	CATEGORY <b>TELECOM/MODULAR</b>	PRODUCT DESCRIPTION <b>WALL PLATE 4 KEYSTONE</b>
PROJECTION 	SIZE <b>A</b>	FSCM NO. <b>43321</b>	DWG. NO. <b>MWP104K</b>
REV. <b>A</b>	REV. A		

A

A