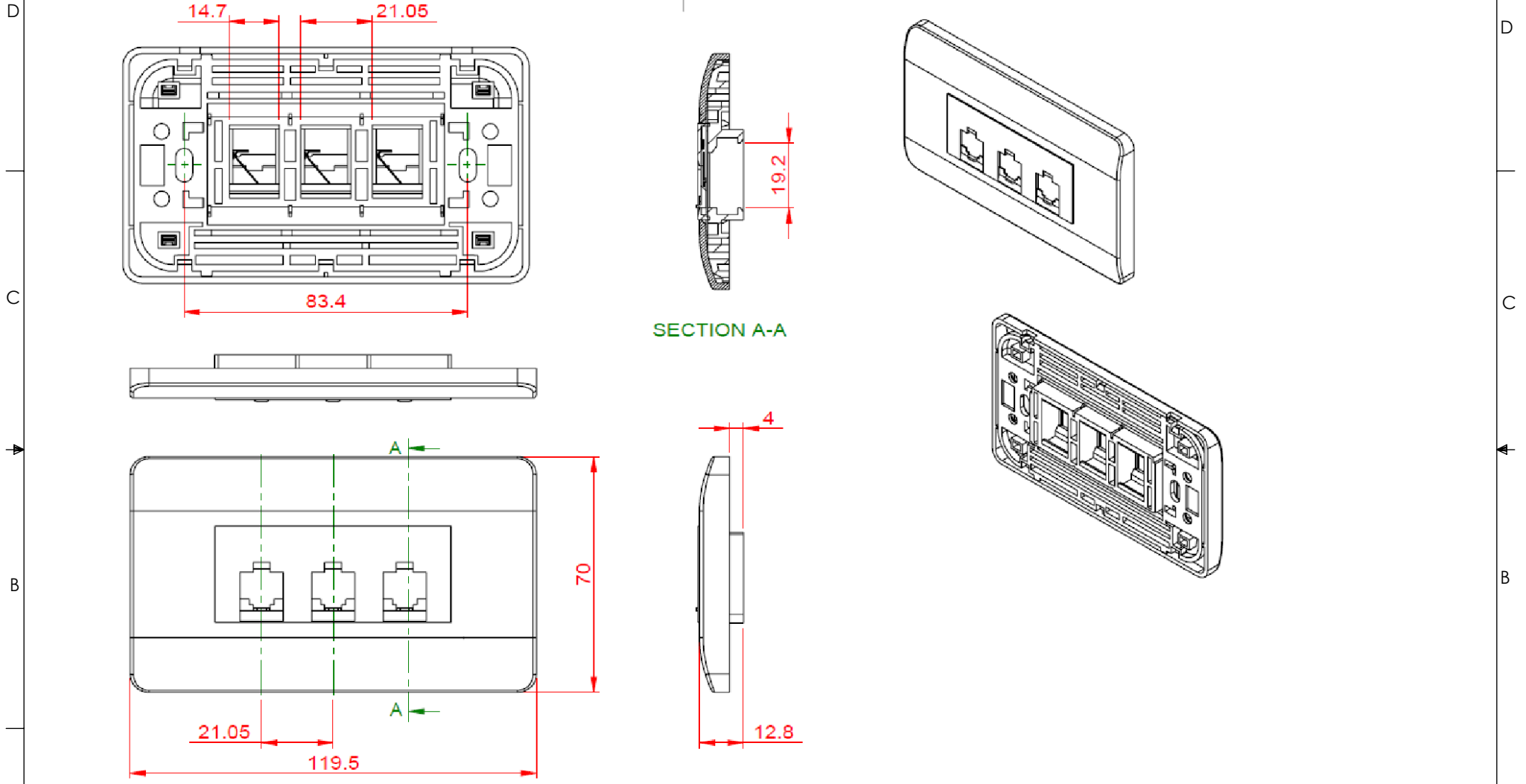


THE INFORMATION CONTAINED IN THIS DRAWING IS THE SOLE PROPERTY OF L-COM, INC. ANY REPRODUCTION IN PART OR WHOLE WITHOUT THE WRITTEN PERMISSION OF L-COM, INC. IS PROHIBITED.

REVISIONS			
REV	DESCRIPTION	DATE	APPROVED
A	INITIAL RELEASE	10/10/11	D.GRIFFIN



SECTION A-A

- NOTES:**
- MATERIAL:
FACEPLATE: ABS HIGH IMPACT UL94V-0 THERMOPLASTIC (WHITE).
BASE: ABS HIGH IMPACT UL94V-0 THERMOPLASTIC
 - COMPONENT SHALL BE INDIVIDUALLY PACKAGED IN ACCORDANCE WITH L-COM SPEC. PS-0031.
 - ALL DIMENSIONS ARE IN [mm].

UNLESS OTHERWISE SPECIFIED, DIMENSIONS ARE IN INCHES [mm] OVERALL CABLE LENGTH TOLERANCE: ≤12 [305] = +1 [25] / -0 >12 [305] ≤60 [1524] = +2 [51] / -0 >60 [1524] ≤120 [3048] = +4 [102] / -0 >120 [3048] ≤300 [7620] = +6 [152] / -0 >300 [7620] = +3% / -0% ALL OTHER DIMENSIONAL TOLERANCES: .X = ±.2 .XX = ±.02 .XXX = ±.005	APPROVALS DRAWN BY D. CASTRO CHECKED BY D. PARHAM APPROVED BY D. GALLAGHER	DATE 10/6/11 10/6/11 10/6/11	45 BEECHWOOD DRIVE NORTH ANDOVER, MA 01845	
	CONFIGURATION DETAILS OF UNDIMENSIONED FEATURES MAY VARY			CATEGORY WALL PLATE PRODUCT DESCRIPTION MOD WPLT 4.7"x2.8" TRIPLE RJ45
PROJECTION 	COLOR VARIATIONS MAY OCCUR	SIZE A	FSCM NO. 43321 DWG. NO. MWP403K-WT	REV. A
SCALE: NONE		CAD FILE: MWP403K-WT.SLDDRW		SHEET 1 OF 1