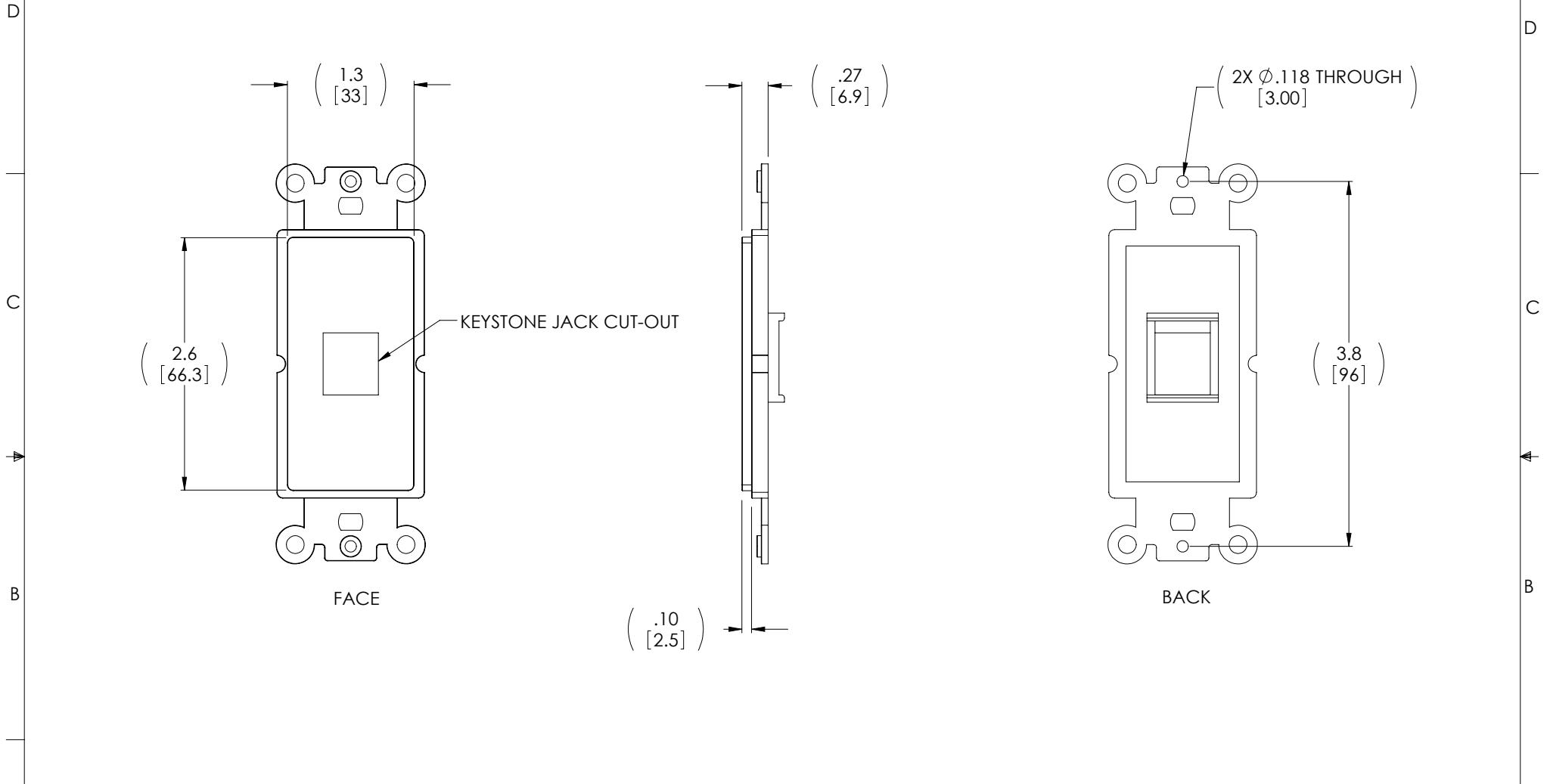


THE INFORMATION CONTAINED IN THIS DRAWING IS THE SOLE PROPERTY OF L-COM, INC. ANY REPRODUCTION IN PART OR WHOLE WITHOUT THE WRITTEN PERMISSION OF L-COM, INC. IS PROHIBITED.

REVISIONS			
REV	DESCRIPTION	DATE	APPROVED
A	INITIAL RELEASE	1/31/12	D.GRIFFIN



**NOTE**

1. WALL PLATE IS FOR ONE STANDARD KEYSTONE JACK
2. ALL DIMENSIONS FOR REFERENCE ONLY
3. MATERIAL: ABS, WHITE

UNLESS OTHERWISE SPECIFIED, DIMENSIONS ARE IN INCHES [mm] OVERALL CABLE LENGTH TOLERANCE: $\leq 12$ [305] = +1 [25] / -0 $> 12$ [305] $\leq 60$ [1524] = +2 [51] / -0 $> 60$ [1524] $\leq 120$ [3048] = +4 [102] / -0 $> 120$ [3048] $\leq 300$ [7620] = +6 [152] / -0 $> 300$ [7620] = +3% / -0% ALL OTHER DIMENSIONAL TOLERANCES: .X = $\pm .2$ .XX = $\pm .02$ .XXX = $\pm .005$	<b>APPROVALS</b> DRAWN BY: D.PARHAM CHECKED BY: J.RUST APPROVED BY: D.GALLAGHER	<b>DATE</b> 01/27/2012 01/27/2012 01/30/2012	45 BEECHWOOD DRIVE NORTH ANDOVER, MA 01845		
	<b>CONFIGURATION DETAILS OF UNDIMENSIONED FEATURES MAY VARY</b>	<b>CATEGORY</b> TELECOM/MODULAR		<b>PRODUCT DESCRIPTION</b> DECORA INSERT, KEYSTONE	
<b>PROJECTION</b> 	<b>COLOR VARIATIONS MAY OCCUR</b>	<b>SIZE</b> <b>A</b>	<b>FSCM NO.</b> <b>43321</b>	<b>DWG. NO.</b> MWP501-WT	<b>REV.</b> <b>A</b>
		<b>SCALE:</b> NONE	<b>CAD FILE:</b> MWP501-WT.SLDDRW	<b>SHEET 1 OF 1</b>	