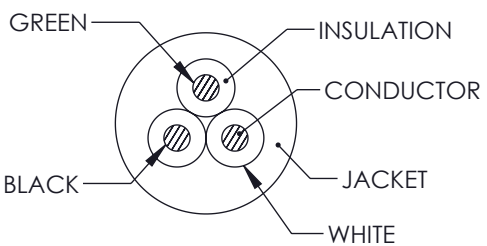
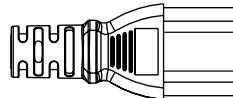
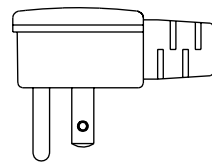
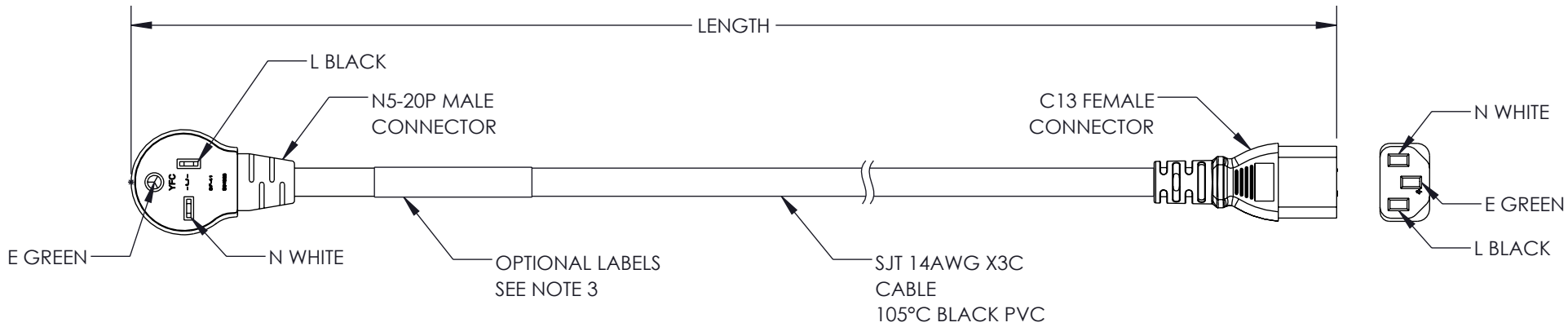


THE INFORMATION CONTAINED IN THIS DRAWING IS THE SOLE PROPERTY OF L-COM, INC. ANY REPRODUCTION IN PART OR WHOLE WITHOUT THE WRITTEN PERMISSION OF L-COM, INC. IS PROHIBITED.

REVISIONS			
REV	DESCRIPTION	DATE	APPROVED
A	INITIAL RELEASE	02/21/2023	GUTTADAURO




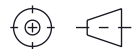
ITEM NUMBER	LENGTH INCHES [MM]
N520P-C13-15-03F	36.0 ± 0.4 [910 ± 10.0]
N520P-C13-15-06F	72.0 ± 0.8 [1830 ± 20.0]
N520P-C13-15-10F	120.0 ± 1.2 [3050 ± 30.0]
N520P-C13-15-15F	180.0 ± 1.6 [4570 ± 40.0]
N520P-C13-15-25F	300.0 ± 2.0 [7620 ± 50.0]

NOTES:

- VOLTAGE RATING:**
DIELECTRIC VOLTAGE WITHSTAND TEST: 1500V / 1sec
CONDUCTOR RESISTANCE: ≤ 8.88Ω / 1000m
VOLTAGE RATING: AC 300V
- CABLE MARKING :**
(UL) E135710-F5 SJT 3 X 14AWG 105°C 300V VW-1
CSA LL95737 SJT3 X 2.08mm² (14AWG) FT2 YFC-BONEAGLE
- OPTIONAL LABELS:**
OPTIONAL LABEL(S) MAY INCLUDE
UL, CURRENT AND/OR WARNING
- CABLE ASSEMBLY SHALL BE INDIVIDUALLY PACKAGED IN ACCORDANCE WITH SPEC. PS-0031.**
- ALL DIMENSIONS FOR REFERENCE ONLY.**

REGULATORY COMPLIANCE:

EU RoHS DIRECTIVE (MOST RECENT RELEASED VERSION)

UNLESS OTHERWISE SPECIFIED, DIMENSIONS ARE IN INCHES [mm] OVERALL CABLE LENGTH TOLERANCE: ≤12 [305] = +1 [25] / -0 >12 [305] ≤60 [1524] = +2 [51] / -0 >60 [1524] ≤120 [3048] = +4 [102] / -0 >120 [3048] ≤300 [7620] = +6 [152] / -0 >300 [7620] = +5% / -0 ALL OTHER DIMENSIONAL TOLERANCES: .X = ± .2 [5] FRACTIONS ± 1/32 .XX = ± .02 [5] ANGLES ± 1° .XXX = ± .005 [1.3]	APPROVALS DRAWN BY SREITER CHECKED BY DFRISIELLO APPROVED BY GUTTADAURO	DATE 02/21/2023 02/21/2023 02/21/2023	 an INFINITO brand 50 High Street, West Mill, North Andover, MA 01845 USA. Phone: 1.800.341.5266 1.978.682.6936
	THIRD-ANGLE PROJECTION 		
CONFIGURATION DETAILS OF UNDIMENSIONED FEATURES MAY VARY COLOR VARIATIONS MAY OCCUR		PRODUCT DESCRIPTION N5-20P - C13 POWER CORD, 15A, 125V	
SIZE A		CAGE CODE 43321	ITEM NO. N520P-C13-15-XXX
SCALE: NONE		CAD FILE: N520P-C13-15-XXX.SLDDRW	
			REV. A