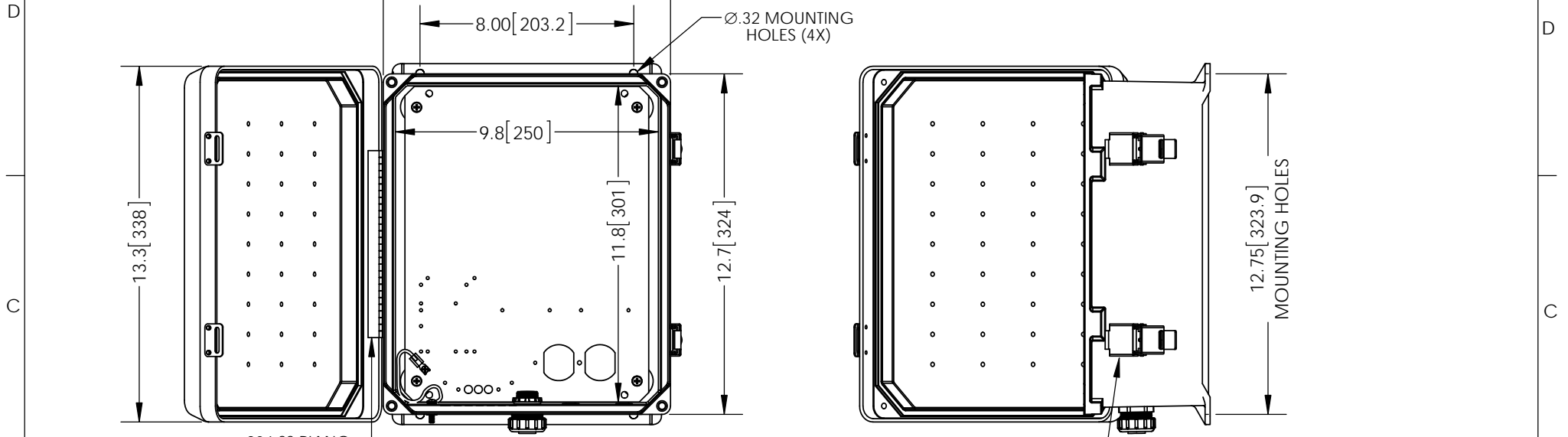


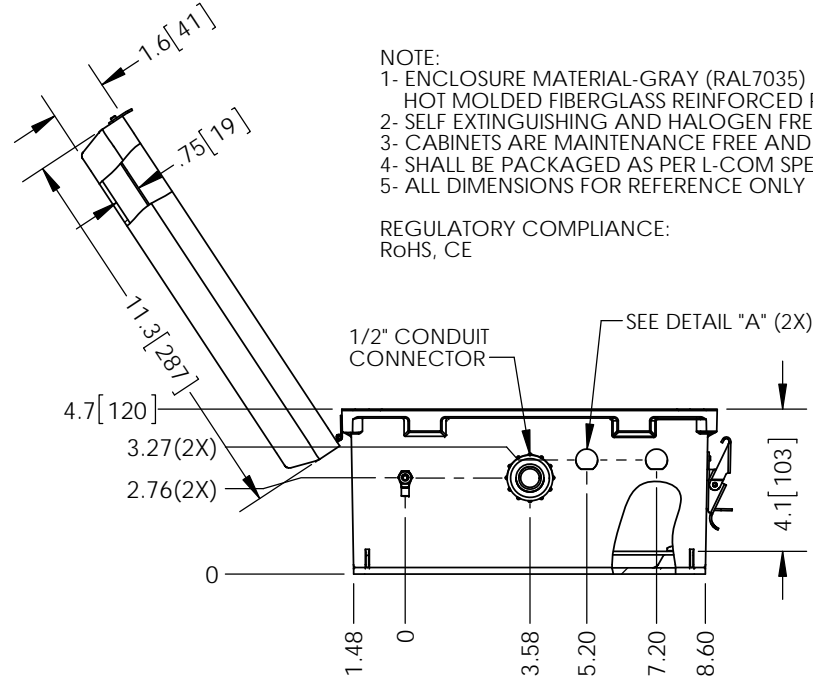
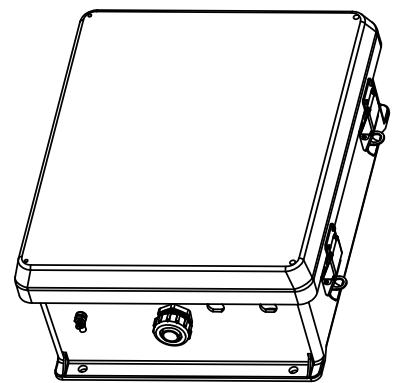
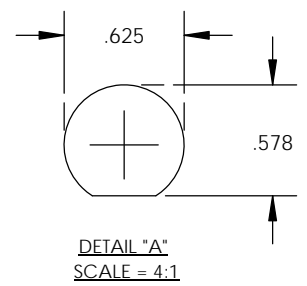
THE INFORMATION CONTAINED IN THIS DRAWING IS THE SOLE PROPERTY OF L-COM, INC. ANY REPRODUCTION IN PART OR WHOLE WITHOUT THE WRITTEN PERMISSION OF L-COM, INC. IS PROHIBITED.

REVISIONS			
REV	DESCRIPTION	DATE	APPROVED
A	INITIAL RELEASE	08/07/13	B.PUCHASKI
-	-	-	-
-	-	-	-



- NOTE:
- ENCLOSURE MATERIAL-GRAY (RAL7035) HOT MOLDED FIBERGLASS REINFORCED POLYESTER
  - SELF EXTINGUISHING AND HALOGEN FREE.
  - CABINETS ARE MAINTENANCE FREE AND CORROSION RESISTANT.
  - SHALL BE PACKAGED AS PER L-COM SPEC PKG-00070
  - ALL DIMENSIONS FOR REFERENCE ONLY

REGULATORY COMPLIANCE:  
RoHS, CE



UNLESS OTHERWISE SPECIFIED, DIMENSIONS ARE IN INCHES [mm]	APPROVALS	DATE		45 BEECHWOOD DRIVE NORTH ANDOVER, MA 01845	
	DRAWN BY B.PUCHASKI	08/07/13			
	DIMENSIONAL TOLERANCES: .X = ±.1 .XX = ±.01 .XXX = ±.005	CHECKED BY P.PESA	08/07/13	CATEGORY	ENCLOSURE
	ANGULAR TOLERANCES: ALL = ± 1°	APPROVED BY P.PESA	08/07/13	PRODUCT DESCRIPTION	NEMA ENCLOSURE 12 X 10 X 5 WEATHERPROOF W/ DRILLED PLATE
PROJECTION	COLOR VARIATIONS MAY OCCUR	SIZE <b>A</b>	FSCM NO. <b>43321</b>	DWG. NO. NB121005-01	REV. <b>A</b>
		SCALE: NONE	CAD FILE: NB121005-01.SLDDRW	SHEET 1 OF 1	