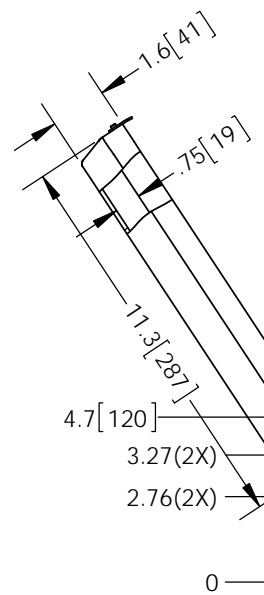
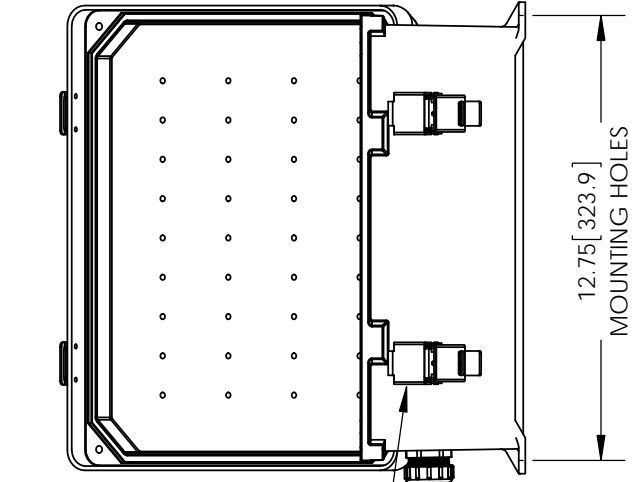
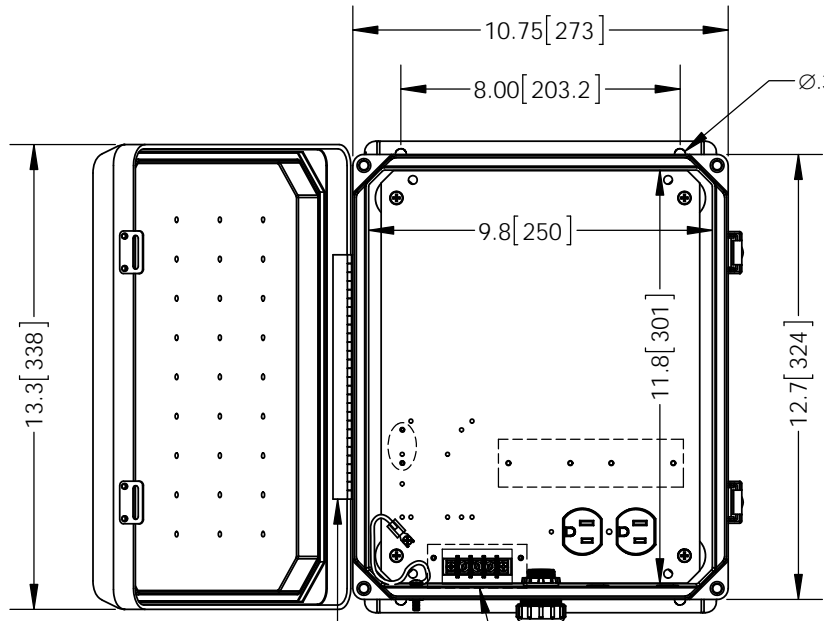


THE INFORMATION CONTAINED IN THIS DRAWING IS THE SOLE PROPERTY OF L-COM, INC. ANY REPRODUCTION IN PART OR WHOLE WITHOUT THE WRITTEN PERMISSION OF L-COM, INC. IS PROHIBITED.

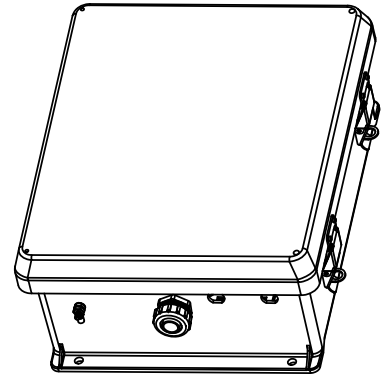
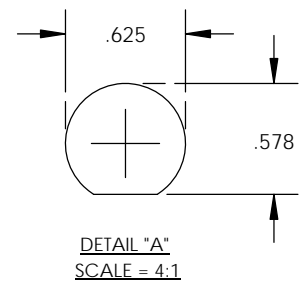
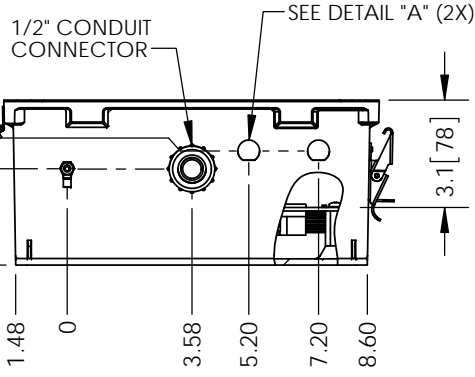
REVISIONS			
REV	DESCRIPTION	DATE	APPROVED
A	INITIAL RELEASE	08/08/13	B.PUCHASKI

D
C
B
A



- NOTE:
 1- ENCLOSURE MATERIAL-GRAY (RAL7035) HOT MOLDED FIBERGLASS REINFORCED POLYESTER
 2- SELF EXTINGUISHING AND HALOGEN FREE.
 3- CABINETS ARE MAINTENANCE FREE AND CORROSION RESISTANT.
 4- SHALL BE PACKAGED AS PER L-COM SPEC PKG-00070
 5- ALL DIMENSIONS FOR REFERENCE ONLY

REGULATORY COMPLIANCE:
 RoHS, CE



UNLESS OTHERWISE SPECIFIED, DIMENSIONS ARE IN INCHES [mm] DIMENSIONAL TOLERANCES: .X = ±.1 .XX = ±.01 .XXX = ±.005 ANGULAR TOLERANCES: ALL = ± 1° PROJECTION	APPROVALS DRAWN BY B.PUCHASKI CHECKED BY P.PESA APPROVED BY P.PESA	DATE 08/08/13 08/08/13 08/08/13	45 BEECHWOOD DRIVE NORTH ANDOVER, MA 01845			
	CATEGORY ENCLOSURE			PRODUCT DESCRIPTION NEMA ENCLOSURE 12 X 10 X 5 WEATHERPROOF 120VAC W/ HEATER		
	COLOR VARIATIONS MAY OCCUR		SIZE A		FSCM NO. 43321	DWG. NO. NB121005-1H0
	SCALE: NONE		CAD FILE: NB121005-1H0.SLDDRW		SHEET 1 OF 1	

8 7 6 5 4 3 2 1