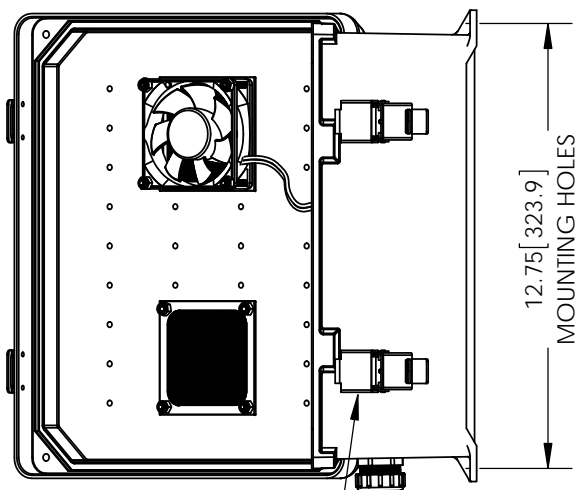
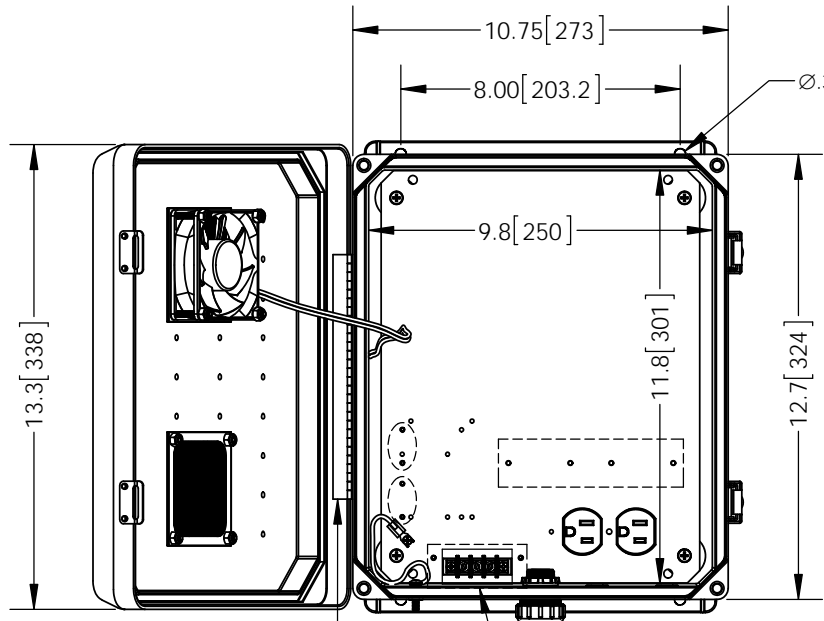


THE INFORMATION CONTAINED IN THIS DRAWING IS THE SOLE PROPERTY OF L-COM, INC. ANY REPRODUCTION IN PART OR WHOLE WITHOUT THE WRITTEN PERMISSION OF L-COM, INC. IS PROHIBITED.

REVISIONS			
REV	DESCRIPTION	DATE	APPROVED
A	INITIAL RELEASE	07/13/16	D.FRISIELLO

D
C
B
A



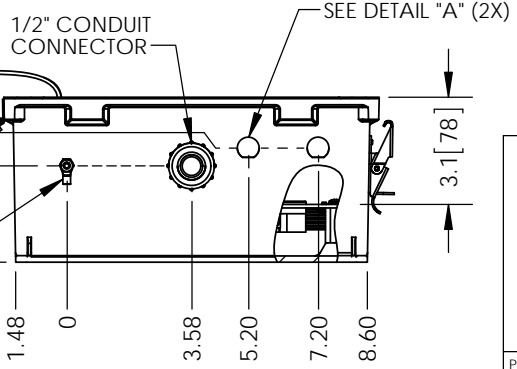
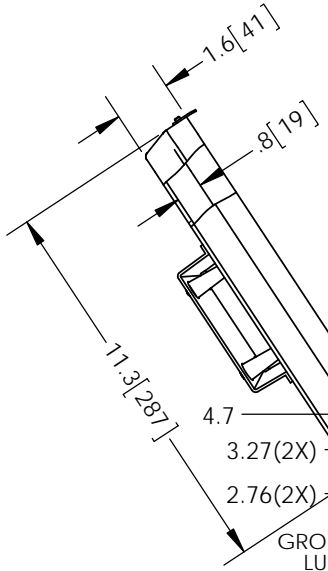
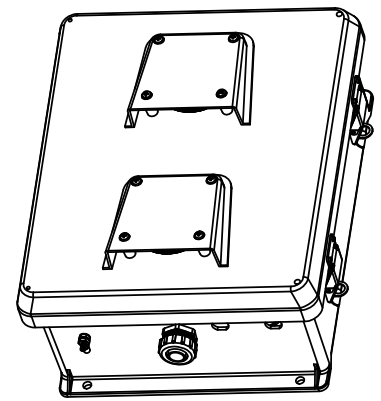
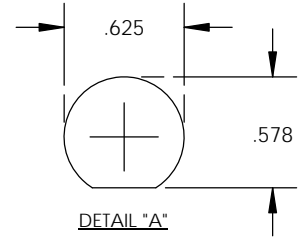
316 SS PADLOCKABLE LATCHES
Ø.375 PADLOCK EYE

304 SS PIANO HINGE

HIDDEN LINES REPRESENT COMPONENTS ON BACK OF PLATE -DO NOT DRILL-

- NOTE:**
- ENCLOSURE MATERIAL-GRAY (RAL7035)
HOT MOLDED FIBERGLASS REINFORCED POLYESTER
 - SELF EXTINGUISHING AND HALOGEN FREE.
 - CABINETS ARE MAINTENANCE FREE AND CORROSION RESISTANT.
 - SHALL BE PACKAGED AS PER L-COM SPEC PKG-00070
 - ALL DIMENSIONS FOR REFERENCE ONLY

REGULATORY COMPLIANCE:
CE2011/65/EU(RoHS DIRECTIVE)



UNLESS OTHERWISE SPECIFIED, DIMENSIONS ARE IN INCHES [mm] DIMENSIONAL TOLERANCES: .X = ±.1 [2.54] .XX = ±.01 [.25] .XXX = ±.005 [.13] ANGULAR TOLERANCES: ALL = ± 1°	APPROVALS	DATE	 50 HIGH STREET NORTH ANDOVER, MA 01845 CATEGORY ENCLOSURE PRODUCT DESCRIPTION NEMA ENCLOSURE 12 X 10 X 5 WEATHERPROOF 120VAC W/ 85° FAN, HEATER				
	DRAWN BY B.PUCHASKI	07/13/16					
	CHECKED BY K.BURGNER	07/13/16					
	APPROVED BY P.PESA	07/13/16					
PROJECTION 	CONFIGURATION DETAILS OF UNDIMENSIONED FEATURES MAY VARY	COLOR VARIATIONS MAY OCCUR	<table border="1"> <tr> <td>SIZE A</td> <td>FSCM NO. 43321</td> <td>DWG. NO. NB121005-1HF-1</td> <td>REV. A</td> </tr> </table>	SIZE A	FSCM NO. 43321	DWG. NO. NB121005-1HF-1	REV. A
SIZE A	FSCM NO. 43321	DWG. NO. NB121005-1HF-1	REV. A				
SCALE: NONE		CAD FILE: NB121005-1HF-1.SLDDRW	SHEET 1 OF 1				

8 7 6 5 4 3 2 1