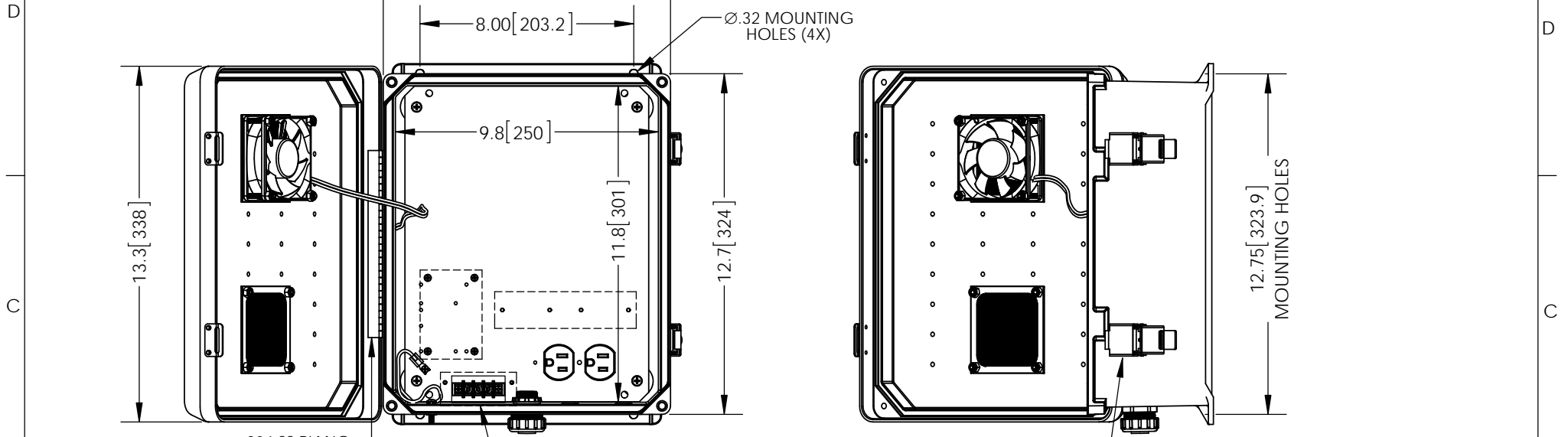


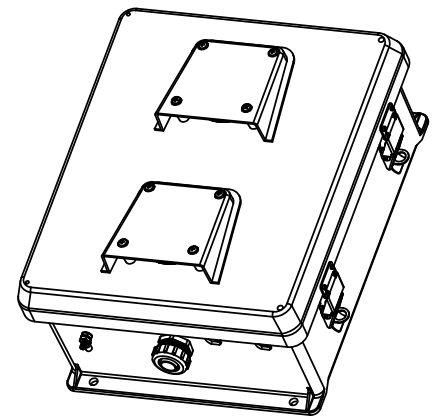
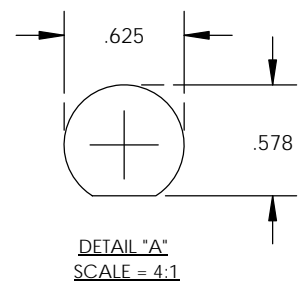
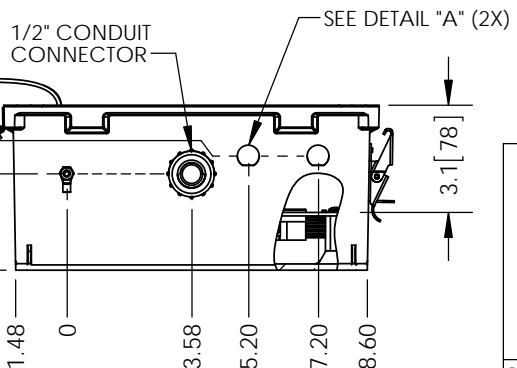
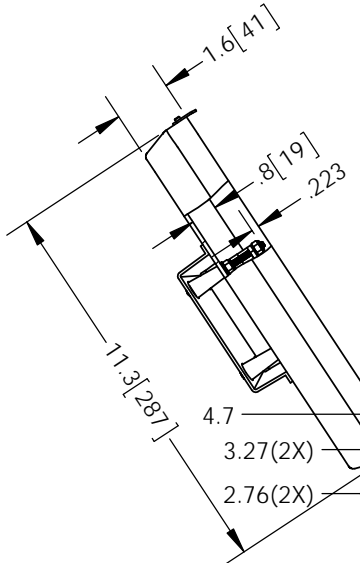
THE INFORMATION CONTAINED IN THIS DRAWING IS THE SOLE PROPERTY OF L-COM, INC. ANY REPRODUCTION IN PART OR WHOLE WITHOUT THE WRITTEN PERMISSION OF L-COM, INC. IS PROHIBITED.

REVISIONS			
REV	DESCRIPTION	DATE	APPROVED
A	INITIAL RELEASE	08/07/13	B.PUCHASKI
-	-	-	-
-	-	-	-



- NOTE:**
- ENCLOSURE MATERIAL-GRAY (RAL7035) HOT MOLDED FIBERGLASS REINFORCED POLYESTER
  - SELF EXTINGUISHING AND HALOGEN FREE.
  - CABINETS ARE MAINTENANCE FREE AND CORROSION RESISTANT.
  - SHALL BE PACKAGED AS PER L-COM SPEC PKG-00070
  - ALL DIMENSIONS FOR REFERENCE ONLY

**REGULATORY COMPLIANCE:**  
RoHS, CE



UNLESS OTHERWISE SPECIFIED, DIMENSIONS ARE IN INCHES [mm]  DIMENSIONAL TOLERANCES: .X = ±.1 [2.54] .XX = ±.01 [.25] .XXX = ±.005 [.13]  ANGULAR TOLERANCES: ALL = ± 1°  PROJECTION	APPROVALS DRAWN BY B.PUCHASKI CHECKED BY P.PESA APPROVED BY P.PESA	DATE 08/07/13 08/07/13 08/07/13	45 BEECHWOOD DRIVE NORTH ANDOVER, MA 01845	
	CATEGORY ENCLOSURE			
	CONFIGURATION DETAILS OF UNDIMENSIONED FEATURES MAY VARY		PRODUCT DESCRIPTION NEMA ENCLOSURE 12 X 10 X 5 WEATHERPROOF 120VAC W/FAN, HEATER SOLIDSTATE CONTROLLER	
	COLOR VARIATIONS MAY OCCUR	SIZE <b>A</b>	FSCM NO. <b>43321</b>	DWG. NO. <b>NB121005-1HFS</b>

SCALE: NONE | CAD FILE: NB121005-1HFS.SLDDRW | SHEET 1 OF 1