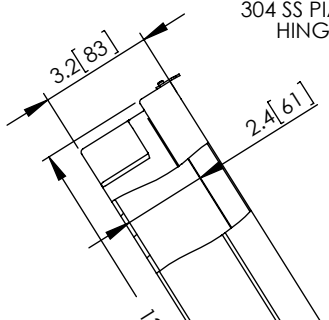
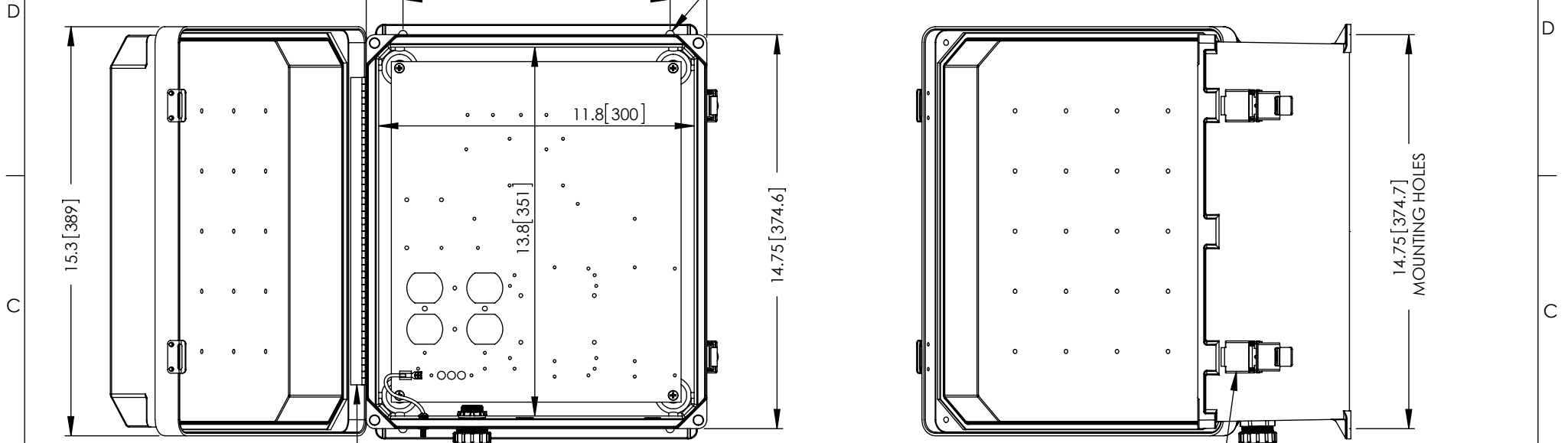
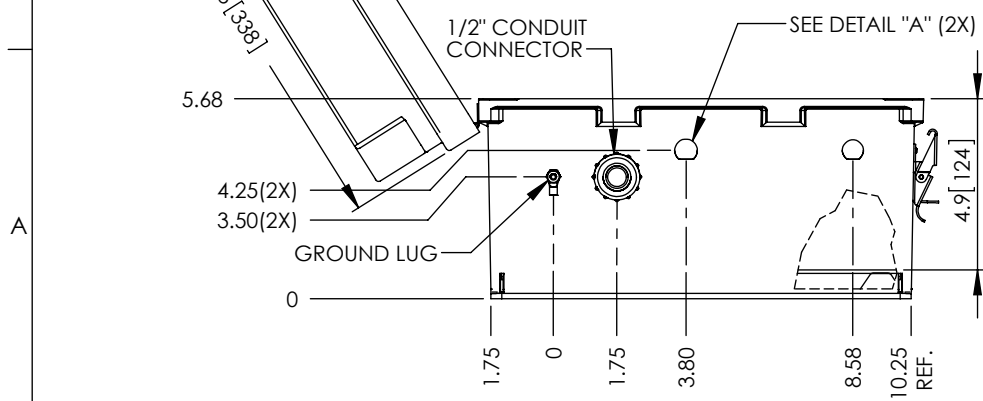
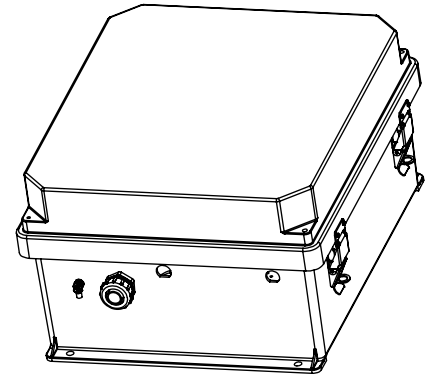
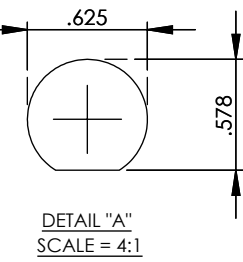


THE INFORMATION CONTAINED IN THIS DRAWING IS THE SOLE PROPERTY OF L-COM, INC. ANY REPRODUCTION IN PART OR WHOLE WITHOUT THE WRITTEN PERMISSION OF L-COM, INC. IS PROHIBITED.

REVISIONS			
REV	DESCRIPTION	DATE	APPROVED
A	INITIAL RELEASE	11/14/12	D.GRIFFIN
-	-	-	-
-	-	-	-



- NOTE:**
- 1- ENCLOSURE MATERIAL-GRAY (RAL7035) HOT MOLDED FIBERGLASS REINFORCED POLYESTER
 - 2- NEMA RATED TYPE 3, 3R, 3S, 4, 4X, 12 AND 13 PRIOR TO MODIFICATIONS.
 - 3- IEC 529 RATED IP 66 PRIOR TO MODIFICATION.
 - 4- TEMPERATURE RANGE FROM -50 DEG C TO 150 DEG C.
 - 5- SELF EXTINGUISHING AND HALOGEN FREE.
 - 6- CABINETS ARE MAINTENANCE FREE AND CORROSION RESISTANT.
 - 7- SHALL BE PACKAGED AS PER L-COM SPEC PKG-00070



RoHS Compliant ✓

UNLESS OTHERWISE SPECIFIED, DIMENSIONS ARE IN INCHES [mm] DIMENSIONAL TOLERANCES: .X = ±.1 .XX = ±.01 .XXX = ±.005 ANGULAR TOLERANCES: ALL = ± 1° PROJECTION	APPROVALS DRAWN BY B.PUCHASKI CHECKED BY P.PESA APPROVED BY P.PESA	DATE 11/13/12 11/13/12 11/13/12		45 BEECHWOOD DRIVE NORTH ANDOVER, MA 01845
	CATEGORY ENCLOSURE			PRODUCT DESCRIPTION NEMA ENCLOSURE 14 X 12 X 7 WEATHERPROOF W/ DRILLED PLATE
	CONFIGURATION DETAILS OF UNDIMENSIONED FEATURES MAY VARY		SIZE A FSCM NO. 43321 DWG. NO. NB141207-01	
	COLOR VARIATIONS MAY OCCUR		SCALE: NONE	CAD FILE: NB141207-01.SLDDRW