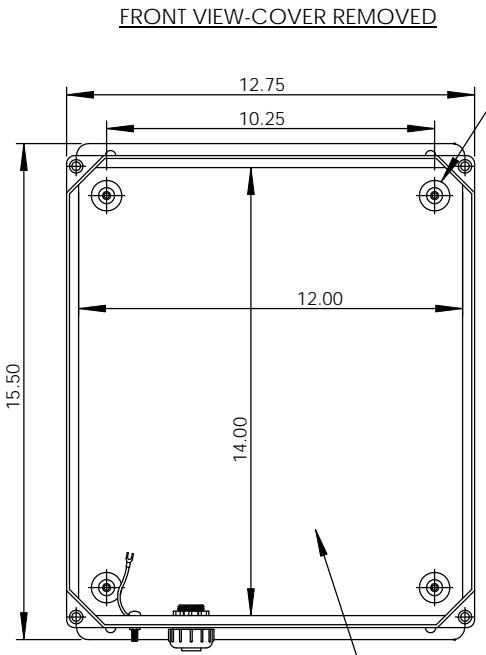


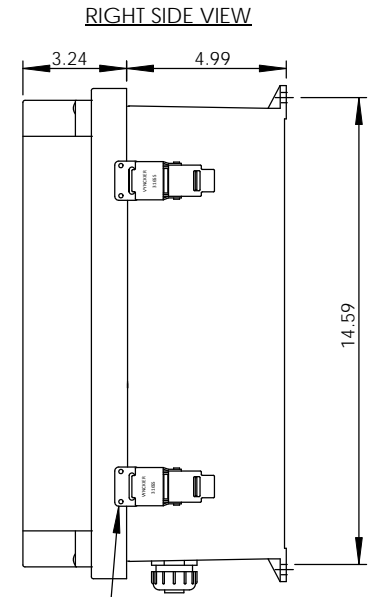
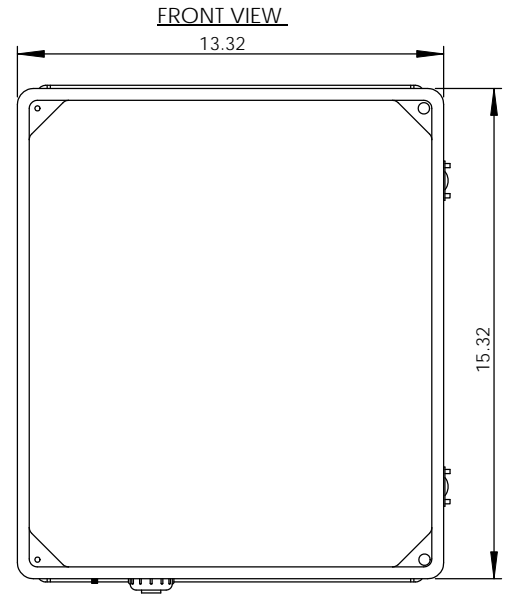
THE INFORMATION CONTAINED IN THIS DRAWING IS THE SOLE PROPERTY OF L-COM, INC. ANY REPRODUCTION IN PART OR WHOLE WITHOUT THE WRITTEN PERMISSION OF L-COM, INC. IS PROHIBITED.

REVISIONS			
REV	DESCRIPTION	DATE	APPROVED
A	Initial Release	08/24/10	B.Puchaski

D  
C  
B  
A

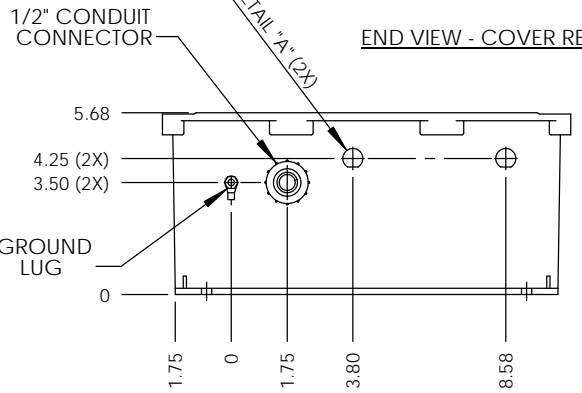


10-32 x.25 BRASS INSERT (4 PLACES)

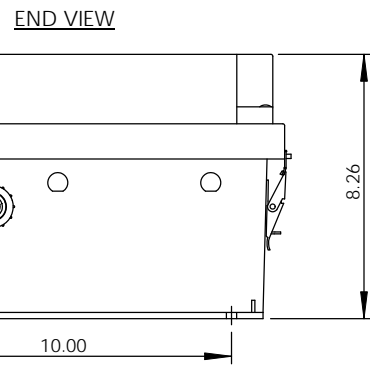


316 STAINLESS STEEL PADLOCKABLE LATCHES  
Ø.375 PADLOCK EYE

1 BAG OF MPS SCREWS SHIPPED LOOSE INSIDE EACH ENCLOSURE

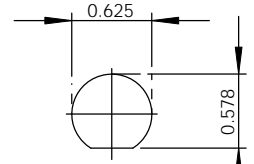


SEE DETAIL 'A' (2X)



304 STAINLESS STEEL PIANO HINGE

Ø0.32 MOUNTING HOLE (4X)



DETAIL 'A'  
SCALE = 4:1

- NOTE:
- ENCLOSURE MATERIAL-GRAY (RAL7035) HOT MOLDED FIBERGLASS REINFORCED POLYESTER
  - NEMA RATED TYPE 3, 3R, 3S, 4, 4X, 12 AND 13 PRIOR TO MODIFICATIONS.
  - IEC 529 RATED IP 66 PRIOR TO MODIFICATION.
  - TEMPERATURE RANGE FROM -50 DEG C TO 150 DEG C.
  - SELF EXTINGUISHING AND HALOGEN FREE.
  - CABINETS ARE MAINTENANCE FREE AND CORROSION RESISTANT.
  - SHALL BE PACKAGED AS PER L-COM SPEC PKG-00070

UNLESS OTHERWISE SPECIFIED, DIMENSIONS ARE IN INCHES [mm]  DIMENSIONAL TOLERANCES: .X = ±.1 .XX = ±.01 .XXX = ±.005  ANGULAR TOLERANCES: ALL = ± 1°  PROJECTION 	APPROVALS	DATE		45 BEECHWOOD DRIVE NORTH ANDOVER, MA 01845	
	DRAWN BY B.Puchaski	08/24/10			
	CHECKED BY K.Blomgren	08/24/10	CATEGORY	ENCLOSURE	
	APPROVED BY K.Blomgren	08/24/10	PRODUCT DESCRIPTION		NEMA 3R 14 x 12 x 7 Weatherproof Enclosure Only
	CONFIGURATION DETAILS OF UNDIMENSIONED FEATURES MAY VARY	SIZE <b>A</b>	FSCM NO. <b>43321</b>	DWG. NO. <b>NB141207-02</b>	REV. <b>A</b>
	COLOR VARIATIONS MAY OCCUR	SCALE: NONE	CAD FILE: NB141207-02.SLDDRW	SHEET 1 OF 1	

8 7 6 5 4 3 2 1