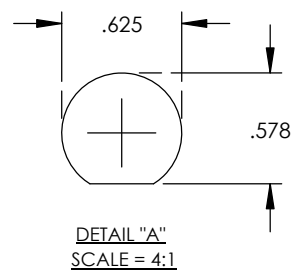
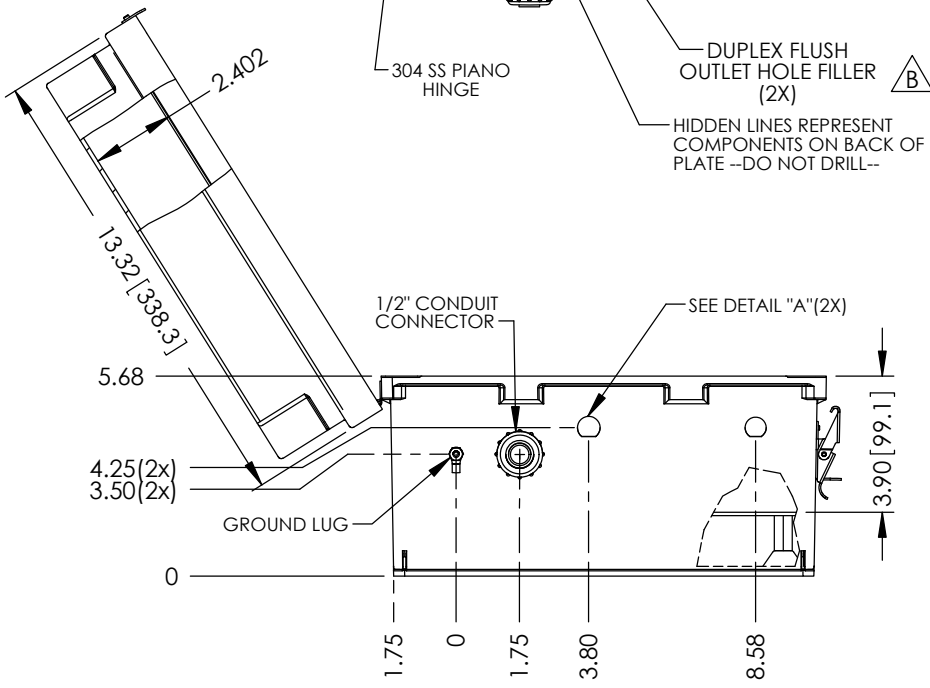
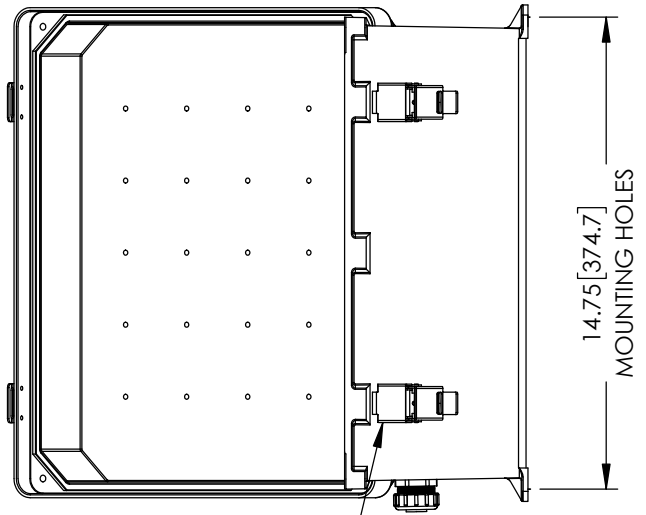
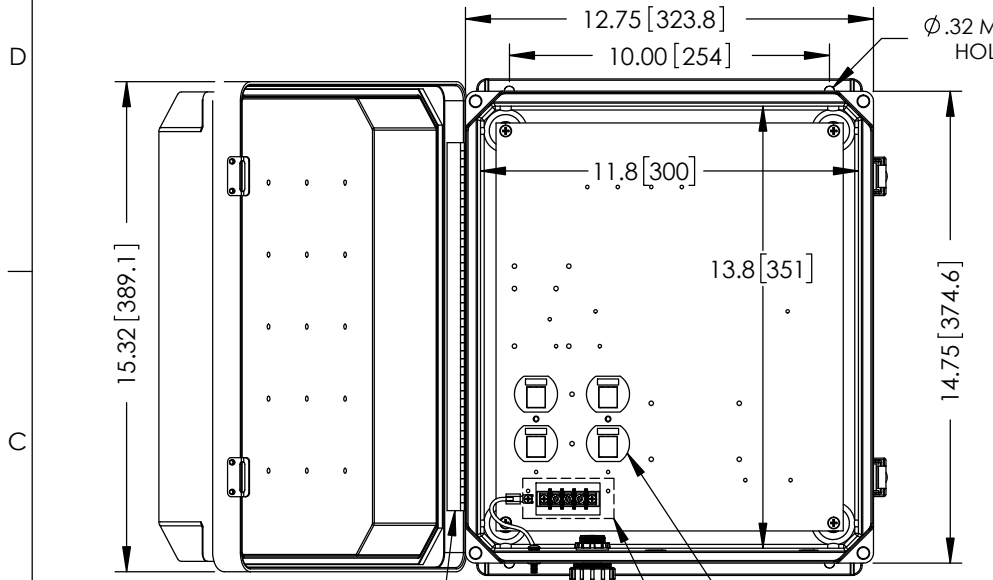



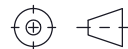
THE INFORMATION CONTAINED IN THIS DRAWING IS THE SOLE PROPERTY OF L-COM, INC. ANY REPRODUCTION IN PART OR WHOLE WITHOUT THE WRITTEN PERMISSION OF L-COM, INC. IS PROHIBITED.

REVISIONS			
REV	DESCRIPTION	DATE	APPROVED
A	INITIAL RELEASE	09/12/2012	BPUCHASKI
B	ECN 11135 ADD MJSVCVR-WT IN OUTLET HOLES	05/17/2021	MMARTINEZ



**NOTE:**  
 1- ENCLOSURE MATERIAL-GRAY (RAL7035)  
 HOT MOLDED FIBERGLASS REINFORCED POLYESTER  
 2- NEMA RATED TYPE 3, 3R, 3S, 4, 4X, 12 AND 13 PRIOR TO MODIFICATIONS.  
 3- SELF EXTINGUISHING AND HALOGEN FREE.  
 4- CABINETS ARE MAINTENANCE FREE AND CORROSION RESISTANT.  
 5- SHALL BE PACKAGED AS PER L-COM SPEC PKG-00070  
 6- ALL DIMENSION FOR REFERENCE ONLY

**REGULATORY COMPLIANCE:**  
 EU RoHS DIRECTIVE (MOST RECENT RELEASED VERSION)

UNLESS OTHERWISE SPECIFIED, DIMENSIONS ARE IN INCHES [mm]	APPROVALS	DATE	 50 High Street, West Mill, North Andover, MA 01845 USA. Phone: 1.800.341.5266 1.978.682.6936
	DRAWN BY BPUCHASKI	09/11/2012	
OVERALL CABLE LENGTH TOLERANCE:	CHECKED BY PPEZA	09/11/2012	CATEGORY <b>ENCLOSURE</b>
≤12 [305] = +1 [25] / -0	APPROVED BY PPEZA	09/11/2012	
>12 [305] ≤60 [1524] = +2 [51] / -0	PRODUCT DESCRIPTION		<b>NEMA Enclosure 14 x 12 x 7 Weatherproof          120VAC Terminal Block</b>
>60 [1524] ≤120 [3048] = +4 [102] / -0	SIZE <b>A</b> CAGE CODE <b>43321</b> ITEM NO. <b>NB141207-100T</b> REV. <b>B</b>		
>120 [3048] ≤300 [7620] = +6 [152] / -0	CONFIGURATION DETAILS OF UNDIMENSIONED FEATURES MAY VARY	SCALE: NONE CAD FILE: NB141207-100T.SLDDRW SHEET 1 OF 1	
>300 [7620] = +5% / -0	COLOR VARIATIONS MAY OCCUR		
ALL OTHER DIMENSIONAL TOLERANCES:	THIRD-ANGLE PROJECTION		
.X = ± .2 [5]   FRACTIONS ± 1/32			
.XX = ± .02 [.5]   ANGLES ± 1°			
.XXX = ± .005 [.13]			