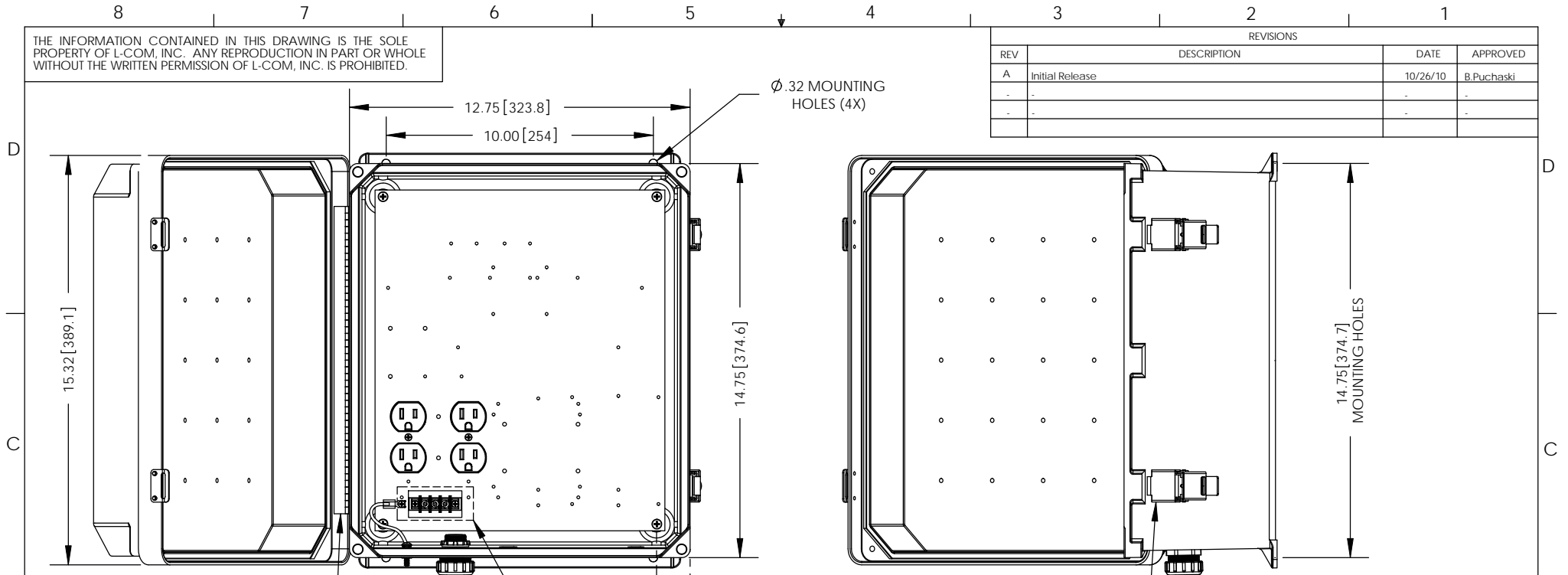
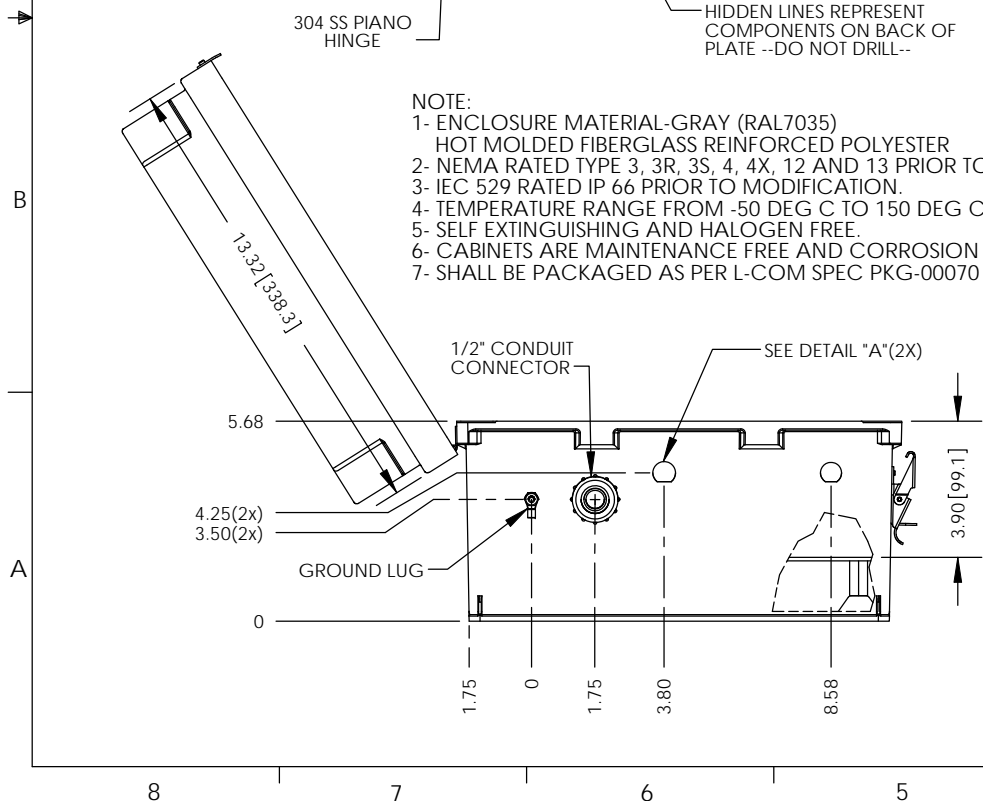
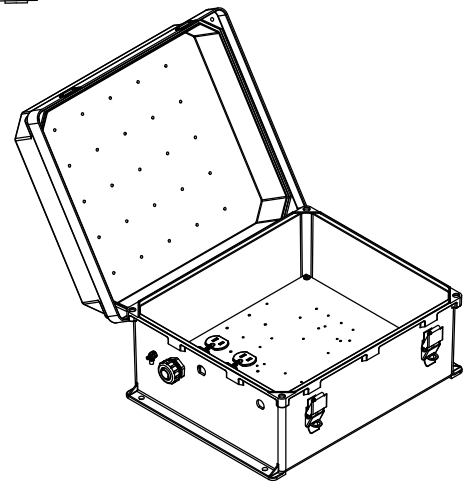
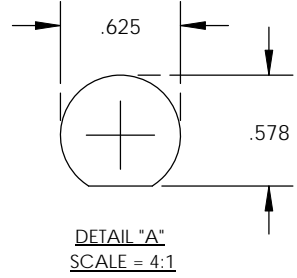


THE INFORMATION CONTAINED IN THIS DRAWING IS THE SOLE PROPERTY OF L-COM, INC. ANY REPRODUCTION IN PART OR WHOLE WITHOUT THE WRITTEN PERMISSION OF L-COM, INC. IS PROHIBITED.

REVISIONS			
REV	DESCRIPTION	DATE	APPROVED
A	Initial Release	10/26/10	B.Puchaski
-	-	-	-
-	-	-	-



- NOTE:
- ENCLOSURE MATERIAL-GRAY (RAL7035) HOT MOLDED FIBERGLASS REINFORCED POLYESTER
  - NEMA RATED TYPE 3, 3R, 3S, 4, 4X, 12 AND 13 PRIOR TO MODIFICATIONS.
  - IEC 529 RATED IP 66 PRIOR TO MODIFICATION.
  - TEMPERATURE RANGE FROM -50 DEG C TO 150 DEG C.
  - SELF EXTINGUISHING AND HALOGEN FREE.
  - CABINETS ARE MAINTENANCE FREE AND CORROSION RESISTANT.
  - SHALL BE PACKAGED AS PER L-COM SPEC PKG-00070



UNLESS OTHERWISE SPECIFIED, DIMENSIONS ARE IN INCHES [mm]	APPROVALS	DATE	 45 BEECHWOOD DRIVE NORTH ANDOVER, MA 01845
	DRAWN BY B.Puchaski	10/26/10	
	CHECKED BY M.Martinez	10/26/10	
	APPROVED BY M.Martinez	10/26/10	
DIMENSIONAL TOLERANCES: .X = ±.1 .XX = ±.01 .XXX = ±.005	CONFIGURATION DETAILS OF UNDIMENSIONED FEATURES MAY VARY		CATEGORY <b>ENCLOSURE</b>
ANGULAR TOLERANCES: ALL = ± 1°	PRODUCT DESCRIPTION NEMA Enclosure 14 x 12 x 7 Weatherproof 120VAC		SIZE <b>A</b> FSCM NO. <b>43321</b> DWG. NO. <b>NB141207-100</b>
PROJECTION	COLOR VARIATIONS MAY OCCUR	SCALE: NONE	CAD FILE: NB141207-100.SLDRW SHEET 1 OF 1