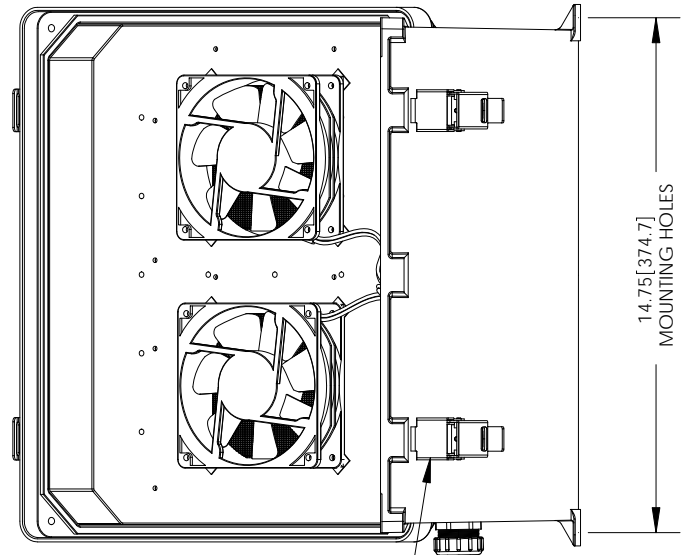
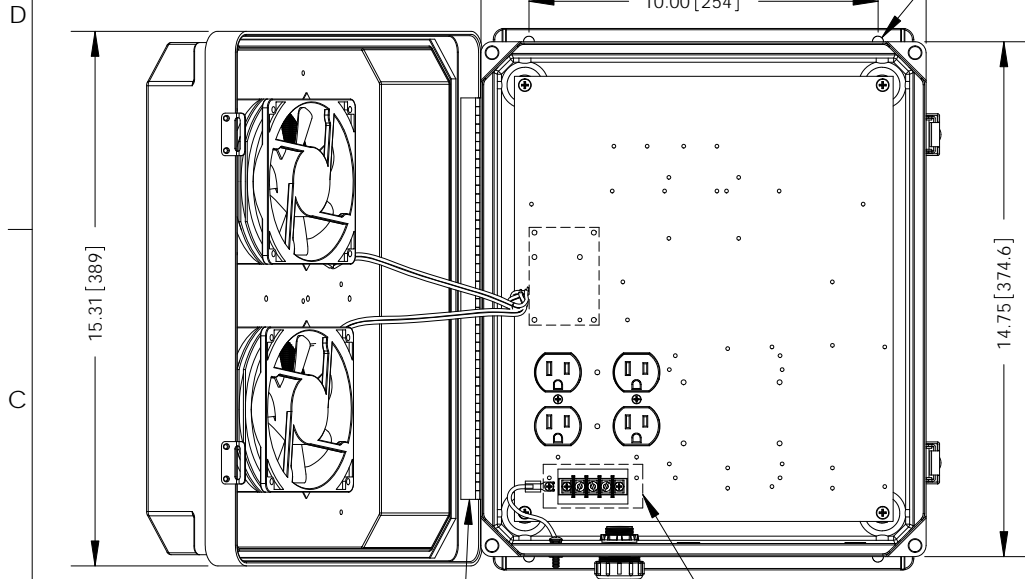


THE INFORMATION CONTAINED IN THIS DRAWING IS THE SOLE PROPERTY OF L-COM, INC. ANY REPRODUCTION IN PART OR WHOLE WITHOUT THE WRITTEN PERMISSION OF L-COM, INC. IS PROHIBITED.

| REVISIONS | | | |
|-----------|-----------------|----------|------------|
| REV | DESCRIPTION | DATE | APPROVED |
| A | Initial Release | 12/01/10 | B.Puchaski |
| - | - | - | - |
| - | - | - | - |

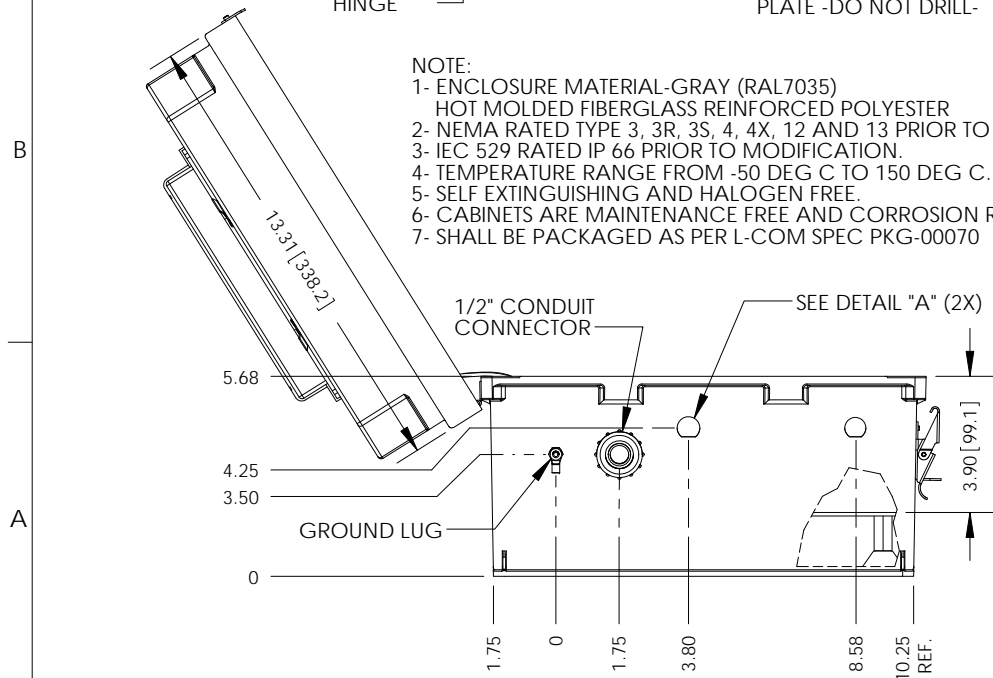
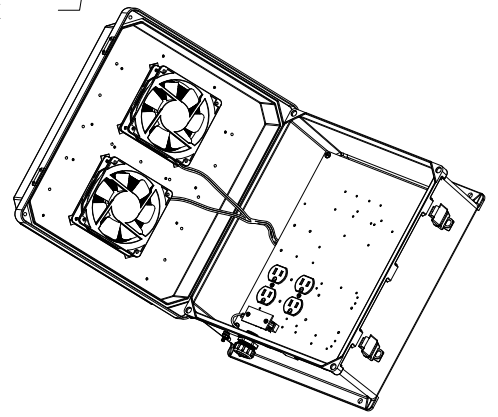
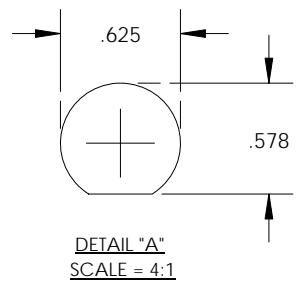


304 SS PIANO HINGE

HIDDEN LINES REPRESENT COMPONENTS ON BACK OF PLATE -DO NOT DRILL-

316 SS PADLOCKABLE LATCHES
Ø.375 PADLOCK EYE

- NOTE:
- ENCLOSURE MATERIAL-GRAY (RAL7035) HOT MOLDED FIBERGLASS REINFORCED POLYESTER
 - NEMA RATED TYPE 3, 3R, 3S, 4, 4X, 12 AND 13 PRIOR TO MODIFICATIONS.
 - IEC 529 RATED IP 66 PRIOR TO MODIFICATION.
 - TEMPERATURE RANGE FROM -50 DEG C TO 150 DEG C.
 - SELF EXTINGUISHING AND HALOGEN FREE.
 - CABINETS ARE MAINTENANCE FREE AND CORROSION RESISTANT.
 - SHALL BE PACKAGED AS PER L-COM SPEC PKG-00070



| | | | | | |
|---|--|--------------------------|--|--|--|
| UNLESS OTHERWISE SPECIFIED, DIMENSIONS ARE IN INCHES [mm] | APPROVALS | DATE | | 45 BEECHWOOD DRIVE NORTH ANDOVER, MA 01845 | |
| | DRAWN BY B.Puchaski | 12/01/10 | | | |
| | CHECKED BY M.Martinez | 12/01/10 | | | |
| | APPROVED BY M.Martinez | 12/01/10 | | | |
| DIMENSIONAL TOLERANCES: .X = ±.1 .XX = ±.01 .XXX = ±.005 | CONFIGURATION DETAILS OF UNDIMENSIONED FEATURES MAY VARY | | CATEGORY ENCLOSURE | | |
| ANGULAR TOLERANCES: ALL = ± 1° | COLOR VARIATIONS MAY OCCUR | | PRODUCT DESCRIPTION NEMA Enclosure 14 x 12 x 7 Weatherproof 120VAC w/Dual Fans, Solid State Controller | | |
| PROJECTION | SIZE A | FSCM NO. 43321 | DWG. NO. NB141207-10FSD | REV. A | |
| SCALE: NONE | | | CAD FILE: NB141207-10FSD.SLDRW | SHEET 1 OF 1 | |