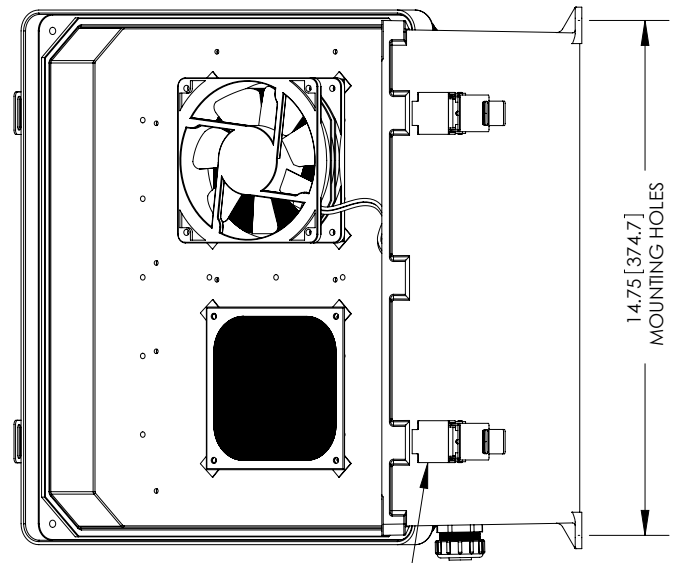
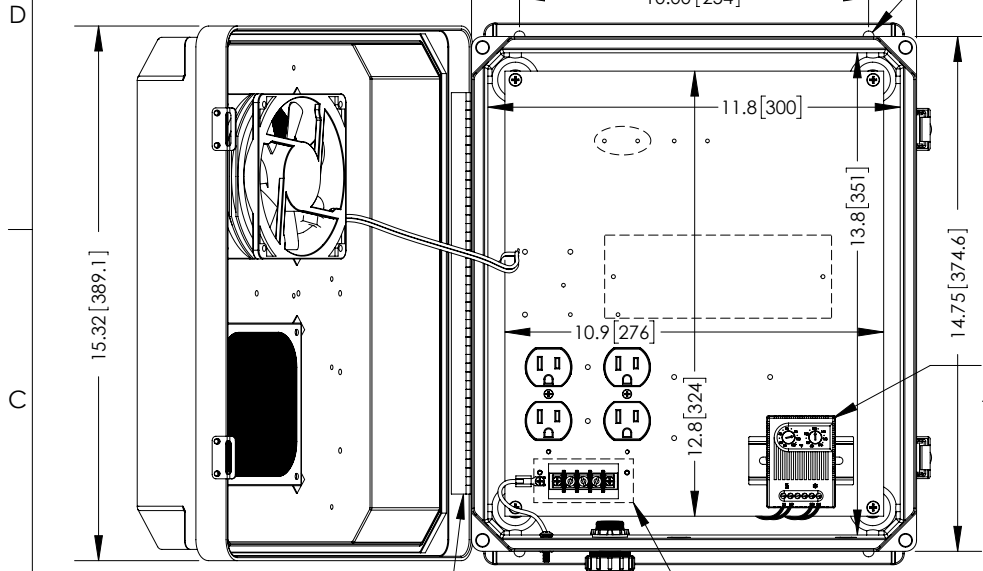


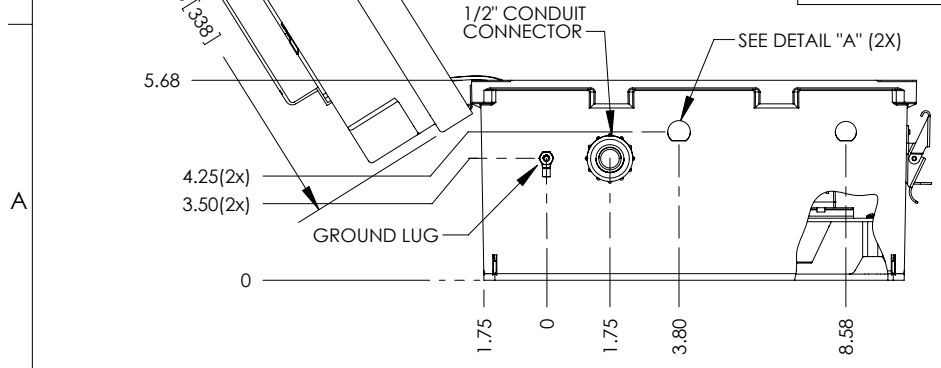
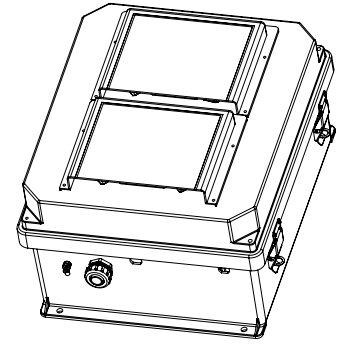
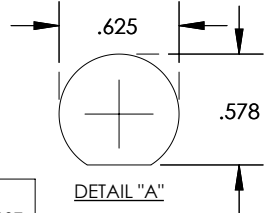
THE INFORMATION CONTAINED IN THIS DRAWING IS THE SOLE PROPERTY OF L-COM, INC. ANY REPRODUCTION IN PART OR WHOLE WITHOUT THE WRITTEN PERMISSION OF L-COM, INC. IS PROHIBITED.

REVISIONS			
REV	DESCRIPTION	DATE	APPROVED
A	REV A DRAWING RELEASED	04/18/2019	MMARTINEZ



- NOTE:**
- 1- ENCLOSURE MATERIAL-GRAY (RAL7035) HOT MOLDED FIBERGLASS REINFORCED POLYESTER
  - 2- NEMA RATED TYPE 3, 3R, 3S, 4, 4X, 12 AND 13 PRIOR TO MODIFICATIONS.
  - 3- SELF EXTINGUISHING AND HALOGEN FREE.
  - 4- CABINETS ARE MAINTENANCE FREE AND CORROSION RESISTANT.
  - 5- SHALL BE PACKAGED AS PER L-COM SPEC PKG-00070.
  - 6- ALL DIMENSION FOR REFERENCE ONLY.

**THERMOSTAT SETTING RANGE:**  
 HEAT: NORMALLY CLOSED - OPEN ON RISE +14°F TO +122°F  
 FAN: NORMALLY OPEN - CLOSED ON RISE +68°F TO +176°F



UNLESS OTHERWISE SPECIFIED, DIMENSIONS ARE IN INCHES [mm] OVERALL CABLE LENGTH TOLERANCE: ≤12 [305] = +1 [25] / -0 >12 [305] ≤60 [1524] = +2 [51] / -0 >60 [1524] ≤120 [3048] = +4 [102] / -0 >120 [3048] ≤300 [7620] = +6 [152] / -0 >300 [7620] = +5% / -0%	APPROVALS	DATE		50 HIGH STREET NORTH ANDOVER, MA 01845
	DRAWN BY BPUCHASKI	04/09/2019		CATEGORY
ALL OTHER DIMENSIONAL TOLERANCES: .X = ±.2 [5.08] .XX = ±.02 [1.51] .XXX = ±.005 [1.3]	CHECKED BY DFRISIELLO	04/09/2019	PRODUCT DESCRIPTION	
	APPROVED BY MMARTINEZ	04/09/2019	ENCL,FRP 14x12x7" 120VAC ADJ THERMOSTAT FAN/HEAT	
PROJECTION	CONFIGURATION DETAILS OF UNDIMENSIONED FEATURES MAY VARY	COLOR VARIATIONS MAY OCCUR	SIZE <b>A</b>	FSCM NO. <b>43321</b>
			DWG. NO. NB141207-1HFA2	REV. <b>A</b>
			SCALE: NONE	CAD FILE: NB141207-1HFA2.SLDDRW
				SHEET 1 OF 1

8 7 6 5 4 3 2 1