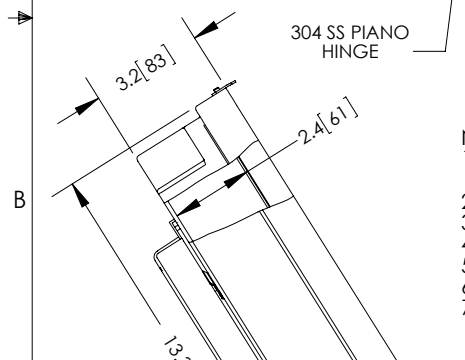
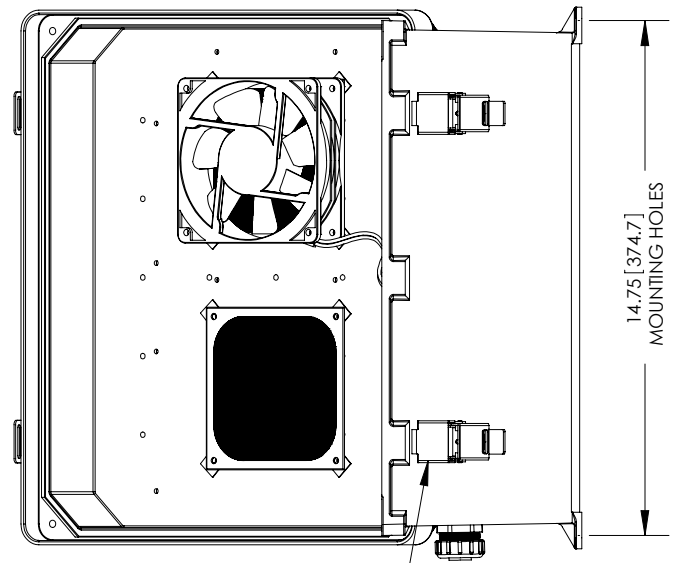
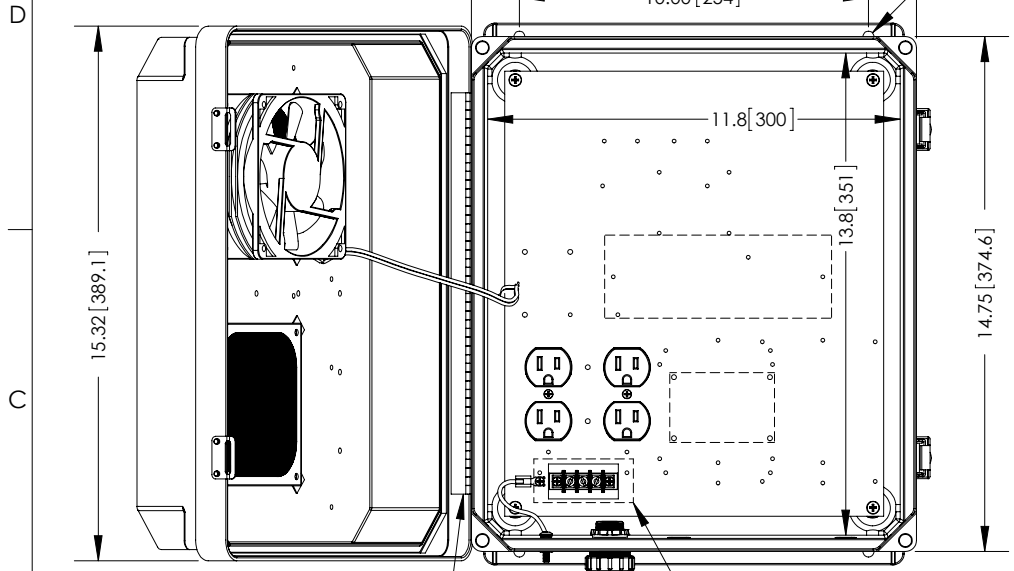
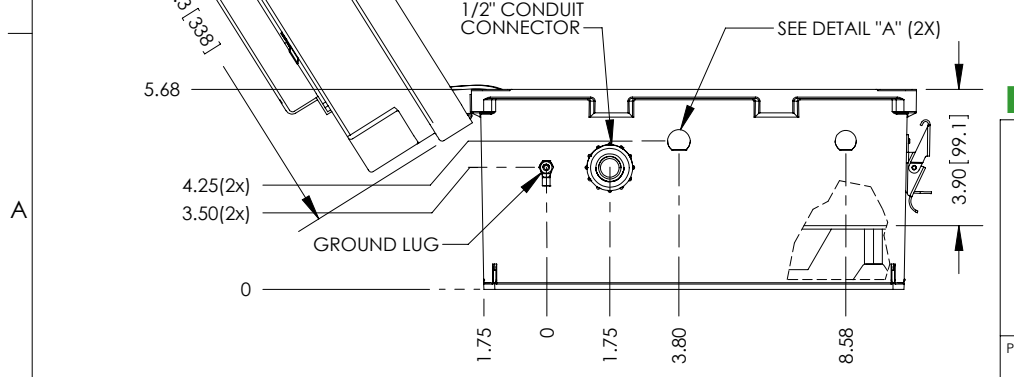
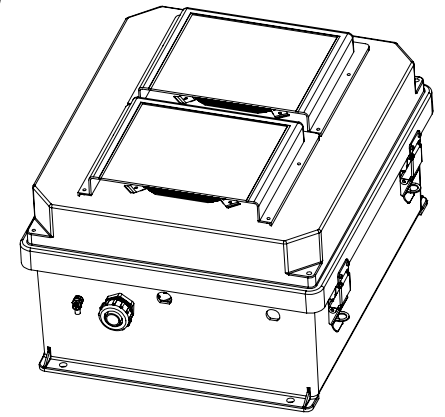
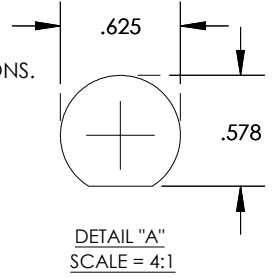


THE INFORMATION CONTAINED IN THIS DRAWING IS THE SOLE PROPERTY OF L-COM, INC. ANY REPRODUCTION IN PART OR WHOLE WITHOUT THE WRITTEN PERMISSION OF L-COM, INC. IS PROHIBITED.

| REVISIONS | | | |
|-----------|-----------------|----------|-----------|
| REV | DESCRIPTION | DATE | APPROVED |
| A | INITIAL RELEASE | 11/19/12 | D.GRIFFIN |
| - | - | - | - |
| - | - | - | - |



- NOTE:
 1- ENCLOSURE MATERIAL-GRAY (RAL7035) HOT MOLDED FIBERGLASS REINFORCED POLYESTER
 2- NEMA RATED TYPE 3, 3R, 3S, 4, 4X, 12 AND 13 PRIOR TO MODIFICATIONS.
 3- IEC 529 RATED IP 66 PRIOR TO MODIFICATION.
 4- TEMPERATURE RANGE FROM -50 DEG C TO 150 DEG C.
 5- SELF EXTINGUISHING AND HALOGEN FREE.
 6- CABINETS ARE MAINTENANCE FREE AND CORROSION RESISTANT.
 7- SHALL BE PACKAGED AS PER L-COM SPEC PKG-00070



RoHS Compliant ✓

| | | | | |
|---|--|---|--|------------------------------|
| UNLESS OTHERWISE SPECIFIED, DIMENSIONS ARE IN INCHES [mm] DIMENSIONAL TOLERANCES: .X = ±.1 .XX = ±.01 .XXX = ±.005 ANGULAR TOLERANCES: ALL = ± 1° PROJECTION | APPROVALS DRAWN BY B.PUCHASKI CHECKED BY P.PESA APPROVED BY P.PESA | DATE 11/15/12 11/15/12 11/15/12 | Global Connectivity 45 BEECHWOOD DRIVE NORTH ANDOVER, MA 01845 | CATEGORY ENCLOSURE |
| | CONFIGURATION DETAILS OF UNDIMENSIONED FEATURES MAY VARY COLOR VARIATIONS MAY OCCUR | | | |
| | SIZE A SCALE: NONE | FSCM NO. 43321 CAD FILE: NB141207-1HFS.SLDDRW | DWG. NO. NB141207-1HFS | SHEET 1 OF 1 |