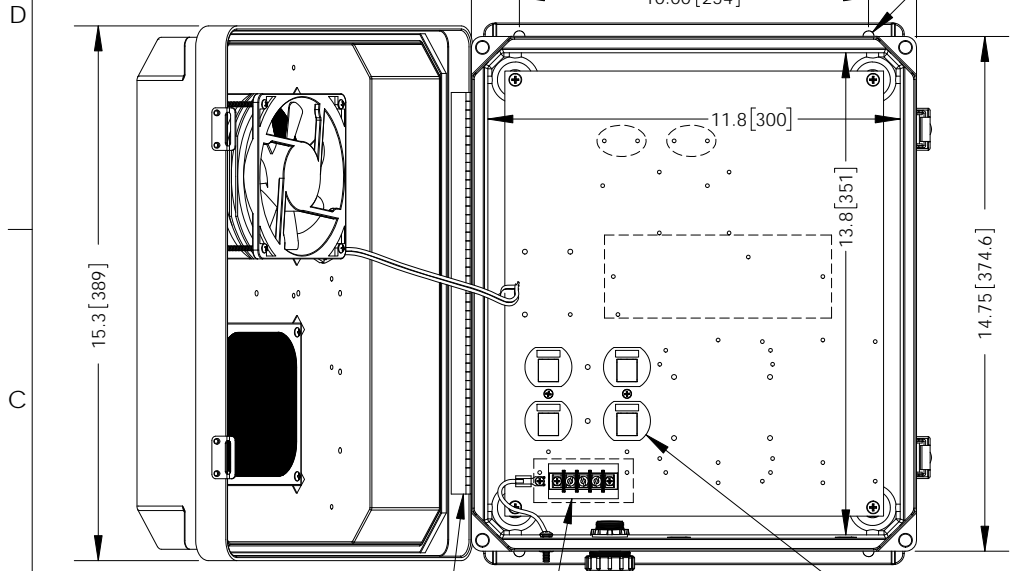
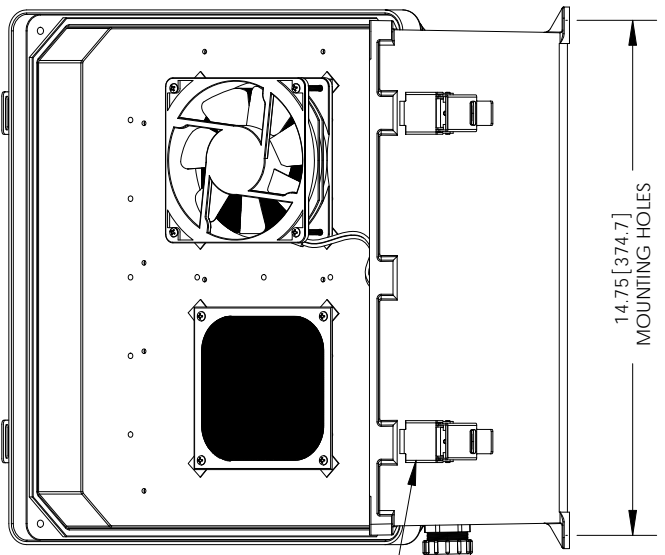


THE INFORMATION CONTAINED IN THIS DRAWING IS THE SOLE PROPERTY OF L-COM, INC. ANY REPRODUCTION IN PART OR WHOLE WITHOUT THE WRITTEN PERMISSION OF L-COM, INC. IS PROHIBITED.

REVISIONS			
REV	DESCRIPTION	DATE	APPROVED
A	INITIAL RELEASE	01/29/2013	BPUCHASKI
B	ECN 9385 ADDED (2X) DUPLEX OUTLET HOLE FILLER	08/28/2018	BPUCHASKI



Ø.32 MOUNTING HOLES (4X)



304 SS PIANO HINGE

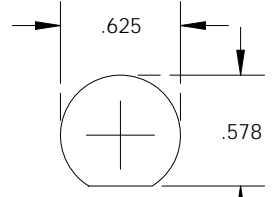
HIDDEN LINES REPRESENT COMPONENTS ON BACK OF PLATE --DO NOT DRILL--

DUPLEX FLUSH OUTLET HOLE FILLER (2X)

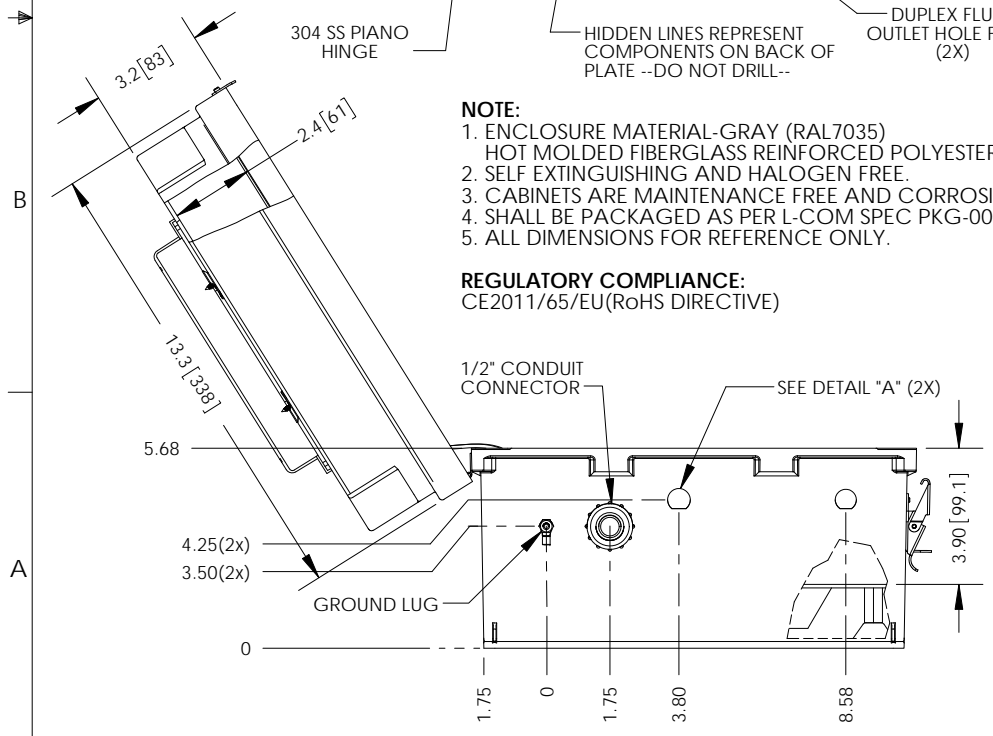
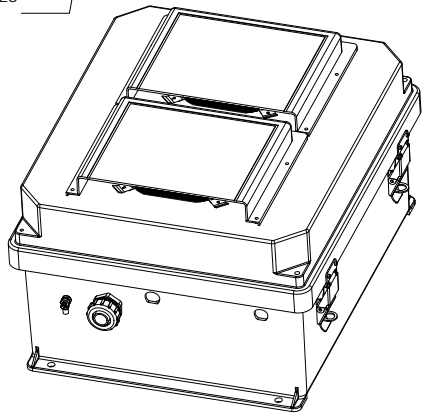
316 SS PADLOCKABLE LATCHES Ø.375 PADLOCK EYE

- NOTE:**
- ENCLOSURE MATERIAL-GRAY (RAL7035) HOT MOLDED FIBERGLASS REINFORCED POLYESTER
  - SELF EXTINGUISHING AND HALOGEN FREE.
  - CABINETS ARE MAINTENANCE FREE AND CORROSION RESISTANT.
  - SHALL BE PACKAGED AS PER L-COM SPEC PKG-00070
  - ALL DIMENSIONS FOR REFERENCE ONLY.

**REGULATORY COMPLIANCE:**  
CE2011/65/EU(RoHS DIRECTIVE)



**DETAIL "A"**  
SCALE = 4:1



1/2" CONDUIT CONNECTOR

SEE DETAIL "A" (2X)

GROUND LUG

UNLESS OTHERWISE SPECIFIED, DIMENSIONS ARE IN INCHES [mm]  DIMENSIONAL TOLERANCES: .X = ±.1 [2.54] .XX = ±.01 [2.5] .XXX = ±.005 [13]  ANGULAR TOLERANCES: ALL = ± 1°	APPROVALS	DATE	 50 HIGH STREET NORTH ANDOVER, MA 01845
	DRAWN BY BPUCHASKI	01/28/2013	
	CHECKED BY P.PSEA	01/28/2013	
	APPROVED BY P.PSEA	01/28/2013	
PROJECTION 	CONFIGURATION DETAILS OF UNDIMENSIONED FEATURES MAY VARY	CATEGORY	ENCLOSURE
COLOR VARIATIONS MAY OCCUR	PRODUCT DESCRIPTION	NEMA ENCLOSURE 14 X 12 X 7 WEATHERPROOF 240VAC W/HEATER, FAN	
SIZE <b>A</b>	CAGE CODE <b>43321</b>	DWG. NO. <b>NB141207-2HF</b>	REV. <b>B</b>
SCALE: NONE	CAD FILE: NB141207-2HF.SLDRW	SHEET 1 OF 1	