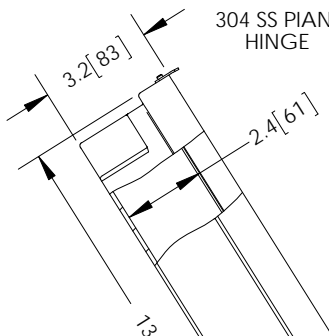
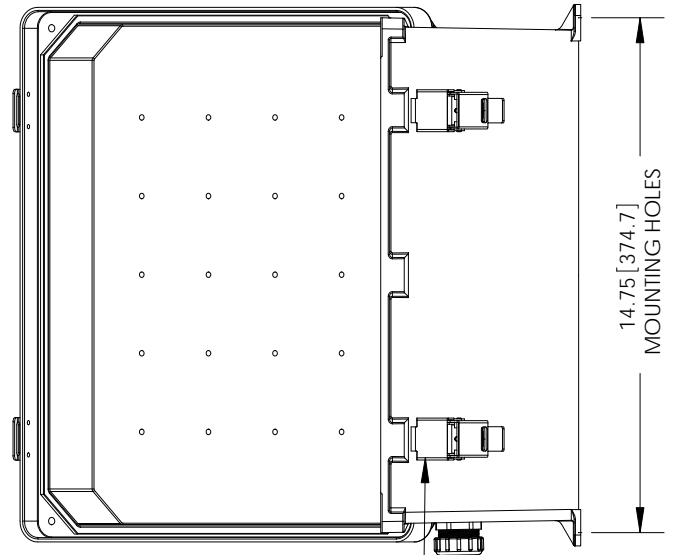
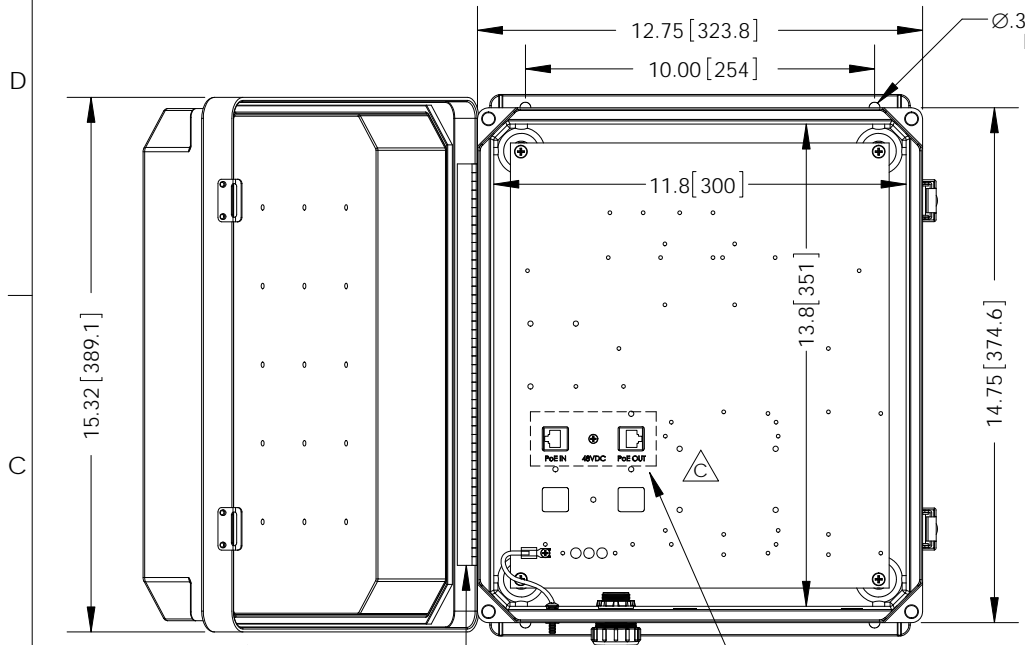
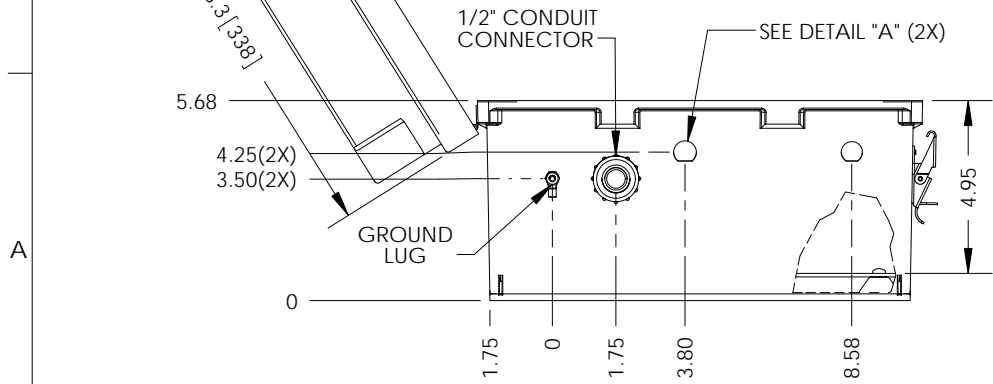
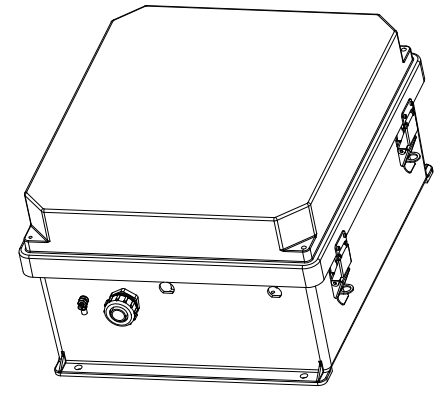
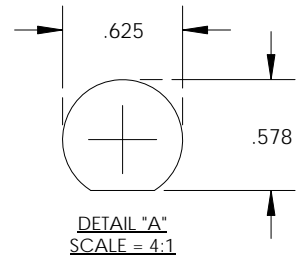


THE INFORMATION CONTAINED IN THIS DRAWING IS THE SOLE PROPERTY OF L-COM, INC. ANY REPRODUCTION IN PART OR WHOLE WITHOUT THE WRITTEN PERMISSION OF L-COM, INC. IS PROHIBITED.

REVISIONS			
REV	DESCRIPTION	DATE	APPROVED
A	INITIAL RELEASE	11/15/10	B.Puchaski
B	ECN 6528 REMOVED TERMINAL BLOCK	11/14/12	B.PUCHASKI
C	ECN 6557 NEW PLATE CUT OUTS FOR PoE	11/29/12	B.PUCHASKI



- NOTE:
- ENCLOSURE MATERIAL-GRAY (RAL7035) HOT MOLDED FIBERGLASS REINFORCED POLYESTER
 - SELF EXTINGUISHING AND HALOGEN FREE.
 - CABINETS ARE MAINTENANCE FREE AND CORROSION RESISTANT.
 - SHALL BE PACKAGED AS PER L-COM SPEC PKG-00070



RoHS Compliant ✓

UNLESS OTHERWISE SPECIFIED, DIMENSIONS ARE IN INCHES [mm] DIMENSIONAL TOLERANCES: .X = ±.1 .XX = ±.01 .XXX = ±.005 ANGULAR TOLERANCES: ALL = ± 1° PROJECTION	APPROVALS B.PUCHASKI CHECKED BY M.MARTINEZ APPROVED BY M.MARTINEZ	DATE 1/15/10 11/15/10 11/15/10		45 BEECHWOOD DRIVE NORTH ANDOVER, MA 01845		
	CATEGORY ENCLOSURE			PRODUCT DESCRIPTION NEMA ENCLOSURE 14 X 12 X 7 WEATHERPROOF POE 48VDC		
	CONFIGURATION DETAILS OF UNDIMENSIONED FEATURES MAY VARY		SIZE A		FSCM NO. 43321	DWG. NO. NB141207-400
	COLOR VARIATIONS MAY OCCUR		SCALE: NONE	CAD FILE: NB141207-400.SLDDRW	SHEET 1 OF 1	